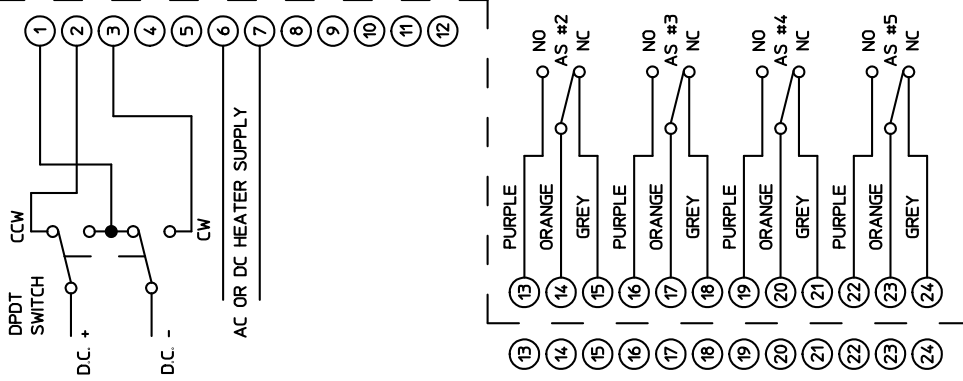
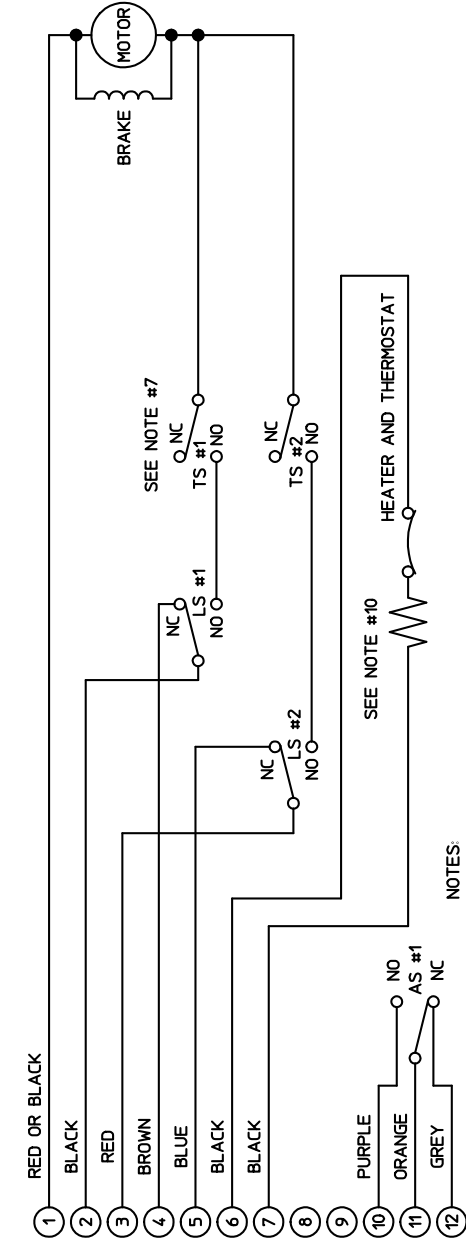


OPTIONAL FIELD WIRING
(REFERENCE ONLY - NOT SUPPLIED)



ACTUATOR WIRING



NOTES:

1. FIELD WIRING IS SHOWN FOR REFERENCE ONLY AND IS NOT SUPPLIED WITH THE ACTUATOR.
2. ALWAYS VERIFY SPECIFIC ACTUATOR WIRING TO SPECIFICATION BEFORE INSTALLING.
3. ROTATION IS VIEWED FROM ABOVE THE ACTUATOR
4. LS DEFINES LIMIT SWITCH OR END OF TRAVEL SWITCH.
5. SWITCHES ARE CONFIGURED FROM BOTTOM TO TOP (i.e. SWITCH 1 IS ON THE BOTTOM, SWITCH 2 IS THE NEXT ONE UP, etc.). LIMIT SWITCHES ARE ALWAYS MOUNTED BELOW AUXILIARY SWITCHES.
6. AS DEFINES AUXILIARY SWITCH, AS 1 THROUGH 5 ARE OPTIONAL AND ARE SUPPLIED ONLY IF ORDERED WITH THE ACTUATOR OR AS A KIT.
7. TS #1 AND TS #2 ARE TORQUE SWITCHES AND ARE PROVIDED ONLY ON THE 800 SERIES ACTUATORS.
8. TERMINALS 13-24 WILL BE SUPPLIED ONLY WHEN REQUIRED.
9. CAUTION: ELECTRICAL OPERATION OF THE ACTUATOR MUST BE MADE THROUGH AN INDIVIDUAL DOUBLE POLE CONTROL SWITCH IN ORDER TO ISOLATE THE MOTOR WINDINGS.
10. ELECTRIC BRAKE, HEATER, AND THERMOSTAT ARE OPTIONAL ON SOME EQUIPMENT. CONSULT FACTORY LITERATURE FOR AVAILABLE OPTIONS.

COMPLETE DIAGRAM



Electric Division, Mansfield, Ohio

REVERSIBLE, 2 POSITION

DCV

REVISIONS	REV. A)	ECN 98061	12/01/98 DBK
-----------	---------	-----------	--------------

THIS DOCUMENT IS THE PROPERTY OF BETTIS AND MAY NOT BE USED, REPRODUCED, PUBLISHED, OR DISCLOSED TO OTHERS WITHOUT EXPRESS AUTHORIZATION OF BETTIS

SCALE NONE	JOB NO FILE	DRAWING NO.
DATE 10/28/98	2	WD-0004
DR. BY DK	ASSY	REV. 1 2 3 4 5 6 0
APPD BY TG		NO. 7 8 9 0 0 0
APPD BY		