

Valve Integration & Automation

Dresser Utility Solution's Nibscos Automation product line, is your solution for valve integration and automation. From simple valve mechanical design to a fully automated high speed with controls and instrumentation.

NIBSCO offers a complete suite of valves for your general service with multiple technologies, such as:

» **Control Valves:**

General Service, 3-Ways & Engineered Products

» **HPBV:**

Double and Triple Eccentricity Butterfly Valve

» **Check Valves:**

Plug, Swing & Dual Plate

» **Plug Valves:**

Lubricated, Non-Lubricated & Sleeve lined

» **Gate Valves:**

Knife, Standard and Double Disc (DBB)

» **Ball Valves:**

Floating & Trunnion (DBB Included)

» **Engineered Valves:**

API 6D, 6A, 607, 608, 598, among others

» **Valves for Manifolds &**

Lab Gas Sampling systems



NIBSCO





Nibscos products offer flow measurement packages which go from Beta measurement thru Cone Meter technology to precision Ultrasonic Flow meter (UFM) devices, offering integrated solutions for multiple markets including O&G, Power, Gas (Transmission, Processing & Compression), Aerospace, Petrochemical, Mining, among others.

NIBSCO goes a step beyond and offers Measurement Technology for your most typical cases but also for your high precise / accuracy service. In order to achieve this, NIBSCO can provide technologies including:

» **Cone Meter:**

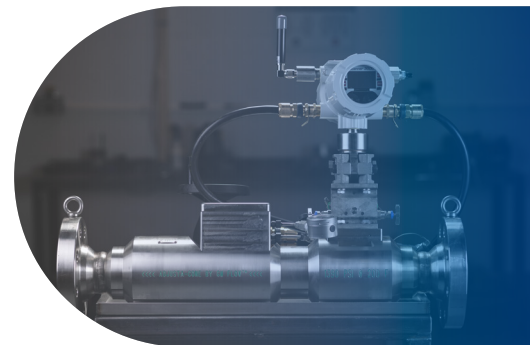
- Integra Cone (Fixed Beta)
- Adjusta Cone (Adjustable Beta to achieve full DP compensation)
- Hy-Cone (Hydrogen Applications up to 1000 bars)

» **Ultrasonic Flow Meter:**

- High End 8-path Gas / Liquid meter
- Industrial 4-path Gas meter
- 2-path & 4-path for Industrial Services

Complete Meter Runs with the technologies described above plus other meter's tech of customer's choice.

NIBSCO also offers engineering services for your automation solutions. As part of the service, complete data packages including drawings are offered.



NIBSCO

NibSCO Automation - Complete Solution Provider

Complete Solution Packages

In Site Product Offering



Engineered Solutions



Accessories & More

Instruments



Measurement



Valves & Actuators

Valves

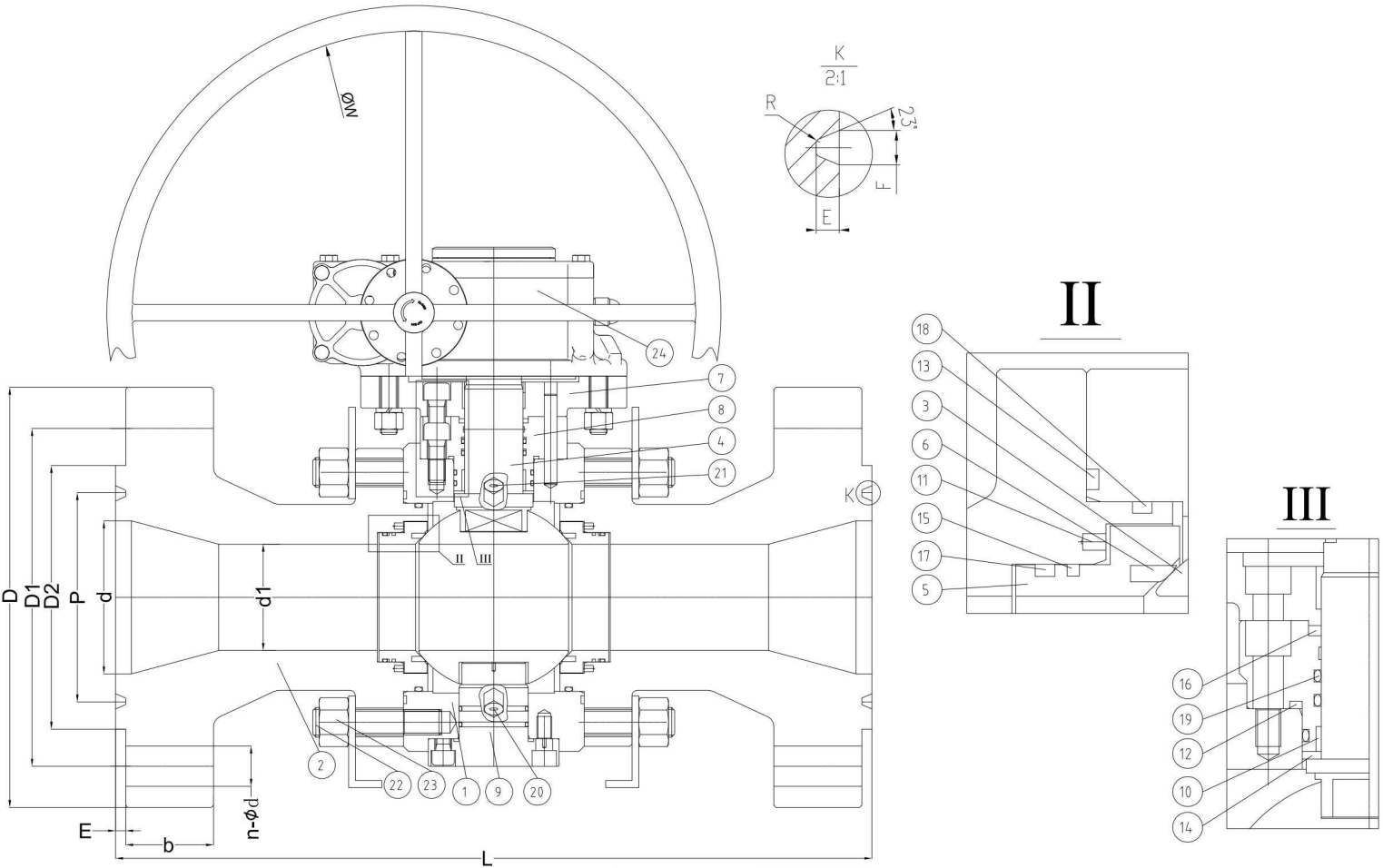


Actuators



NIBSCO

NIBSCO also offers engineering services for your automation solutions. As part of the service, complete data packages including drawings are offered.



Nibsc Automation
 3865 Taylor Rd, Orchard Park,
 NY 14127
 T: 716.662.2585

Texas Office
 16240 Port Northwest Drive Houston, TX 77041
 P: 832.678.2070
 F: 716.662.2580

© 2024 Natural Gas Solutions North America, LLC – All rights reserved. Dresser Utility Solutions reserves the right to make changes in specifications and features shown herein, or discontinue the product described at any time without notice or obligation. Contact your Dresser Utility Solutions representative for the most current information. The Dresser Logo and all Trademarks containing the term "Dresser" are the property of Dresser, LLC, a subsidiary of Baker Hughes and are used under license. Actaris™ is a trademark owned by Itron, Inc. and is used under license.

