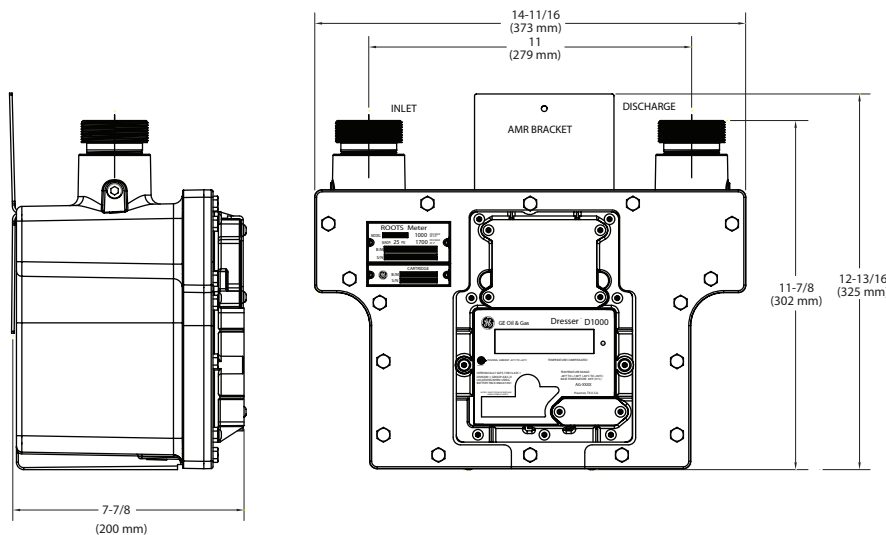
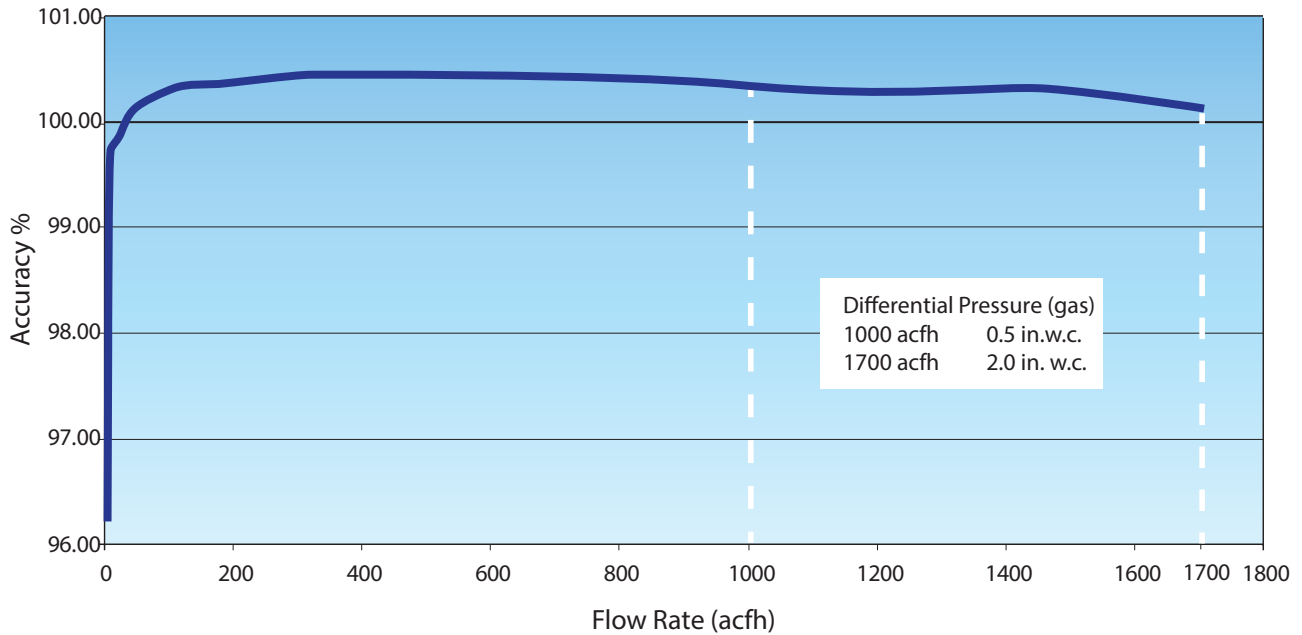


Dresser D1000 Meter

	Units	Imperial	Units	Metric
Base Rating (Q Max) @ 0.5" w.c., Gas	acfh	1000	m ³ /h	28,3
Base Rating (Q Max) @ 2" w.c., Gas		1700		48
Maximum Operating Pressure (MAOP)	psig	25	kPa	172.4
Temperature Range	deg. F	-40°F to + 140°F	deg C	-40°C to +60°C
Leak Test (125% MAOP)	psig	32	kPa	220.6
Static Test (2 x MAOP)	psig	50	kPa	344.7
Rangeability +/- 1% at Qmax = 1000 acfh	ratio	125:1	ratio	125:1
Rangeability +/- 1% at Qmax = 1700 acfh	ratio	212:1	ratio	212:1
Rangeability +/- 2% at Qmax = 1000 acfh	ratio	200:1	ratio	200:1
Rangeability +/- 2% at Qmax = 1700 acfh	ratio	340:1	ratio	340:1
Start Rate	cfh	0.30	m ³ /h	0.0085
Stop Rate	cfh	0.15	m ³ /h	0.0042
Maximum Pressurization Rate	psig/sec	5	kPa	35
Maximum Operating Speed (1700 acfh)	rpm	3825	rpm	3825
Displaced Volume/Revolution	cf	0.007407	m ³	0.000210
Temperature Compensation Range	deg F	-40°F to +140°F	deg C	-40°C to +60°C
Minimum Odometer Reading (under residual volume screen)	cf	0.001	m ³	0.0001
Odometer Multiplier	cf	X100	m ³	X1
Odometer Configuration		5-8 digits		5-8 digits with 0-2 decimals
Ferrule (Spud) Connection		30LT/45LT/#3, #4 Sprague/ #5 Sprague/1-1/2" FNPT		same
Spud to Spud	in.	11	mm	279.4
Net Weight	lbs.	24	kg	10.8
Shipping Weight	lbs.	28.5	kg	13
Carton Size	in.	19 x 12-3/4 x 16	cm	48.26 x 32.385 x 40.64
Max Loop Voltage	V	8.2	V	8.2
Max Loop Amperage	mA	10	mA	10

Advanced Low Flow Capability

From starting flow rate to full capacity the Dresser D1000 meter provides excellent measurement accuracy with superior rangeability and start/stop rates.



Request detailed drawing number - D061029-000

To order:
Specify Dresser D1000 Meter and Ferrule (spud) connection type.

Contact the factory for other available information, options, or special requests.

Note: All performance data is averaged and indicative of meter performance. Individual meter characteristics may vary.

Dresser Measurement
16240 Port Northwest Drive
Houston, TX 77041
T: 1-800-521-1114
F: 1-800-335-5224



www.dresserutility.com

The Dresser Logo and all Trademarks containing the term "Dresser" are the property of Dresser, LLC, a subsidiary of Baker Hughes.

D1000 Meter Fact Sheet NGS.MI.0030b
05.25