

# Dresser Series 3A Accessory Unit for LMMA Meters

Dresser Utility Solutions Series 3A Accessory Unit is a Series 3 (Life-Lubed) index that mounts directly to your Series A (LMMA) body meter using a factory attached adapter. The S3A features the same high quality and long-term reliability of the oil-free S3 Accessory Unit that you've come to trust.

The no-maintenance, less expensive and easier-to-read S3A Accessory Unit extends the life expectancy of your LMMA meter (LMMA meter line was discontinued from production in 1998) providing many additional years of reliable service.

## You'll benefit from:

**No Index Maintenance.** Oil is not required for the polymer bushings and pre-lubricated, shielded ball bearings making the index environmentally friendly and easier to install and maintain.

**Index Masking Options.** The S3A's versatile odometer masking design uses opaque or semi-transparent covers, offering configurable, trouble-free masking with no moving parts, hinges, flappers or magnets.

**Easy-To-Change ID Rotation.** Simply remove two bolts and invert the gear module so the pinion gear is driven at the bottom rather than the top of the horizontal bevel gear.

**Conversion Kit Inventory Reduction.** The S3A uses the same #399 conversion kits as the B3 meters. Now you can stock the same Instrument Drive, Pulser or AMR Adapter #399 kits for both Series Meters – LMMA and Series B3 meters.

**Proving Procedure Simplification.** With the S3A, you can prove your LMMA meters the same way you prove your B3 meters – off the odometer test wheel.

**Lower Price.** The S3A Accessory Units are less expensive than the old LMMA series units.

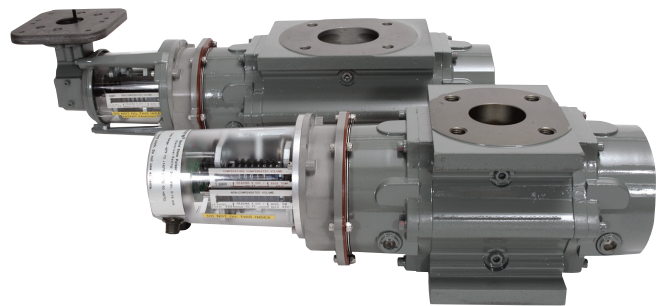


Figure 1 - Series A (LMMA) Meters with S3A CD (Counter with Instrument Drive) and S3A ITPWD (TC with Solid State Pulser)

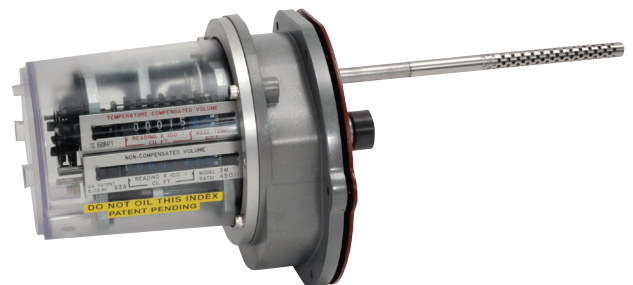


Figure 2 - Series 3A TC (Temperature Compensated Index)

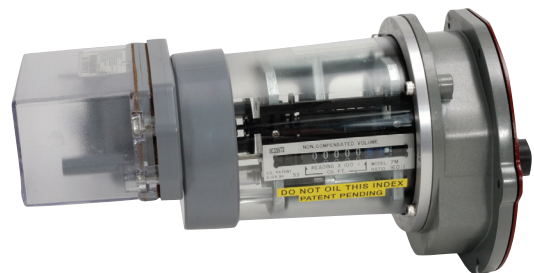


Figure 3 - Series 3A CTR/AMR Adapter (shown with Itron ERT installed)

# Installation Dimensional Drawing

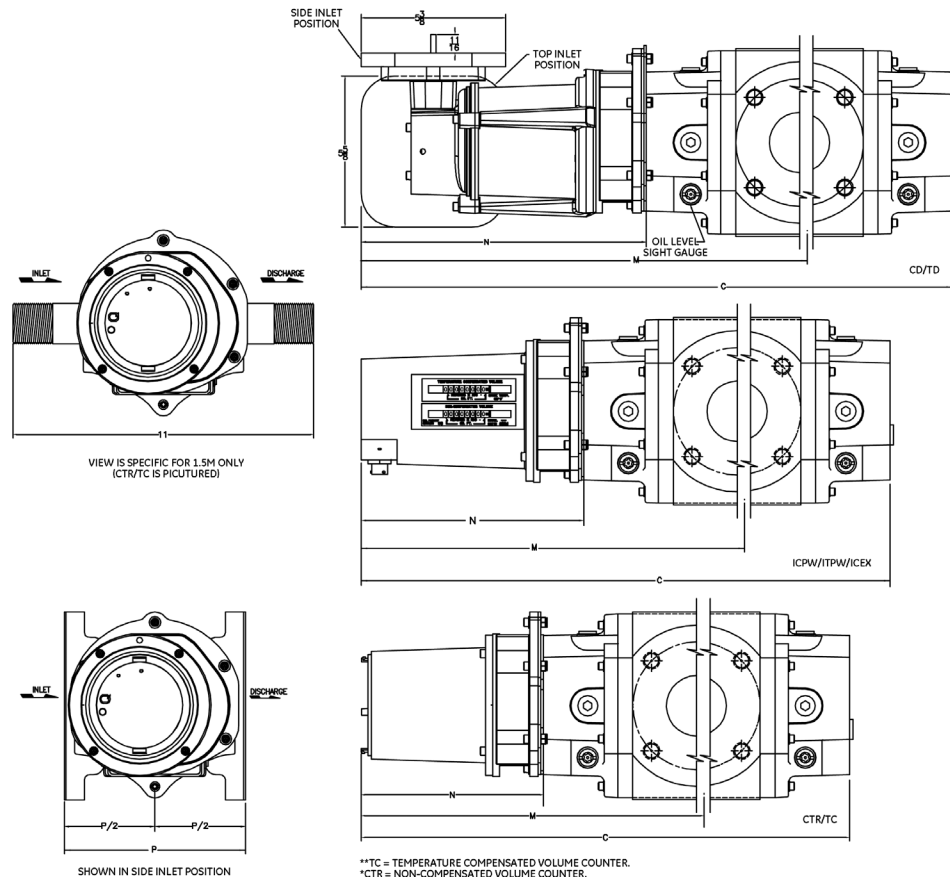
Model	CD/TD Dimensions (in/approx.)			
	C	M	N	P
1.5M	19-3/4	15-5/32	10-5/8	6-1/4
3M	22-7/16	16-17/32	10-5/8	6-3/4
5M	26-7/32	18-17/32	10-5/8	6-3/4
7M	24	17-9/32	10-5/8	9-1/2
11M	27-9/16	19-1/16	10-5/8	9-1/2
16M	32-3/16	21-3/8	10-5/8	9-1/2

Model	CTR, TC Dimensions (in/approx.)			
	C	M	N	P
1.5M	15-29/32	11-9/32	6-3/4	6-1/4
3M	18-9/16	12-21/32	6-3/4	6-3/4
5M	22-11/32	14-21/32	6-3/4	6-3/4
7M	20-1/8	13-13/32	6-3/4	9-1/2
11M	23-11/16	15-3/16	6-3/4	9-1/2
16M	28-5/16	17-1/2	6-3/4	9-1/2

Model	ICPW, ITPW, ICEX Dimensions (in/approx.)			
	C	M	N	P
1.5M	17-15/32	12-27/32	8-5/16	6-1/4
3M	20-1/8	14-7/32	8-5/16	6-3/4
5M	23-29/32	16-7/32	8-5/16	6-3/4
7M	21-11/16	14-31/32	8-5/16	9-1/2
11M	25-1/4	16-3/4	8-5/16	9-1/2
16M	29-7/8	19-1/16	8-5/16	9-1/2

## Reference Drawings:

- D058756-000 Meter Dimensional TC/CTR AMR Adapter with Inv./Amer ERT
- D058765-000 Meter Dimensional TC/CTR AMR Adapter with Amer. Cellnet
- D058783-000 Meter Dimensional TC/CTR AMR Adapter with Amer. Trace



## Dresser Measurement

16240 Port Northwest Drive  
Houston, TX 77041  
T: 1-800-521-1114  
F: 1-800-335-5224

The Dresser Logo and all Trademarks containing the term "Dresser" are the property of Dresser, LLC, a subsidiary of Baker Hughes.

