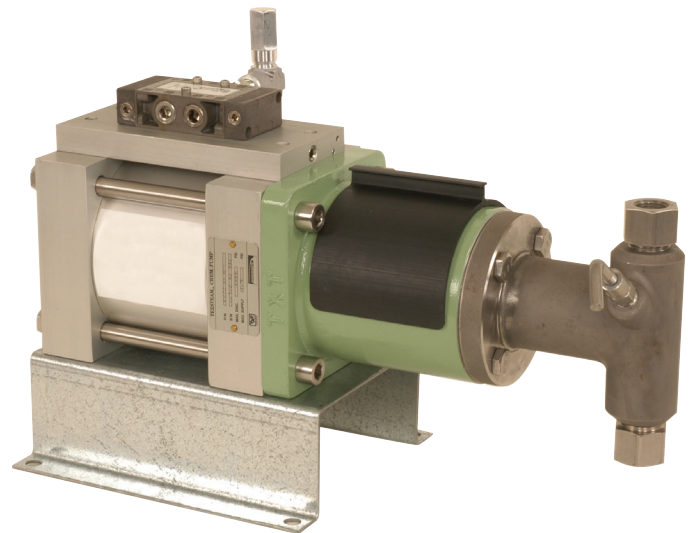


# Series MX-5

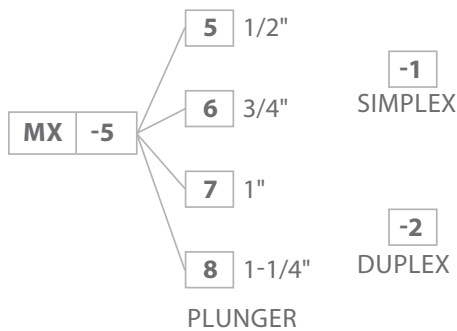
## Chemical Injection Pumps

### Product Features of the MX-5

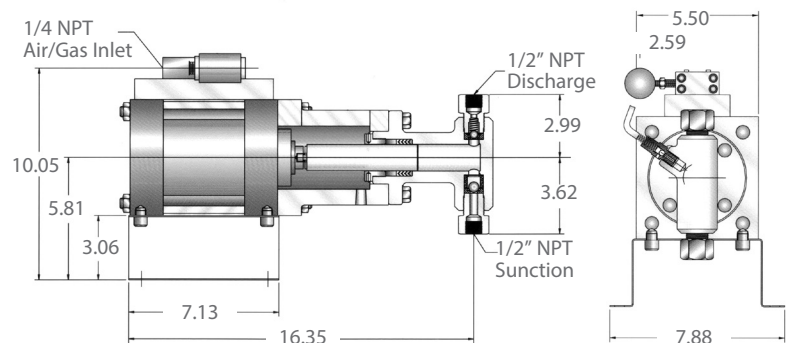
- 1 to 62 GPH
- Duplex Models Available
- No springs in the power cylinder-positive cycle operation
- Adjustable packing allows for planned maintenance
- Easily field serviceable
- Ability to recycle unused supply gas
- 1 to 60 Strokes Per Minute
- Lightweight
- Wide range of service gas pressure
  - Minimum – 30 psig
  - Maximum – 145 psig
- Option of ceramic plungers – longer life on the plunger and packing
- Variety of packing allows for many chemical compatibilities



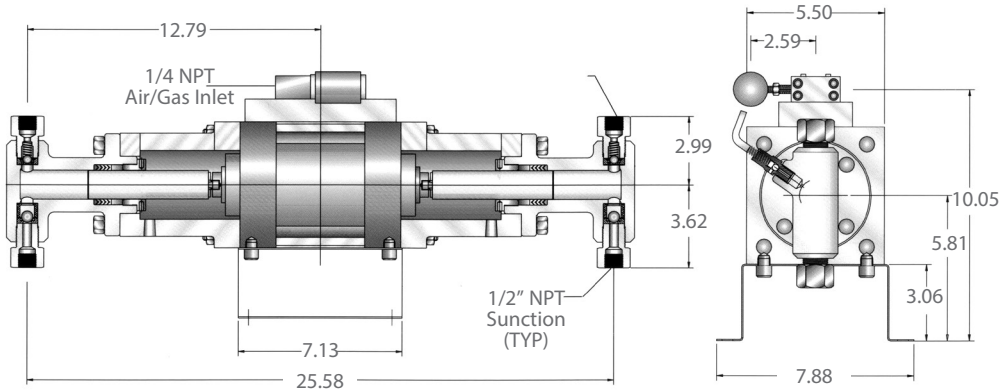
### Model Nomenclature



### Simplex Dimensions



# Duplex Dimensions



# Performance Chart

Model	Inlet Pressure psig (bar)	Simplex GPH/LPH		Duplex GPH/LPH		Pressure psig (bar)	Volume per Stroke	Max. Air Consumption 100 psig (6.9 bar)	
		Max	Min <sup>†</sup>	Max	Min <sup>†</sup>	Maximum	CC	SCF/DAY	SCM/DAY
MX55 1/2" Plunger	50 (3.45)	5.2	1.04	10.4	1.8	4400	2.99	6114	173.1
		19.7	3.9	39.4	6.8	303			
	100 (6.9)	5.4	0.4	10.4	0.7	9200	5.98		
		20.5	1.5	39.4	2.7	634			
	145 (10)	5.4	0.9	10.4	1.8	10000	8.67		
		20.5	3.4	39.4	6.8	690			
MX56 3/4" Plunger	50 (3.45)	12.9	2.1	23.6	3.75	2000	6.73	6836	193.6
		49	7.9	89.3	14.2	138			
	100 (6.9)	12.9	2.1	23.6	3.77	4000	13.46		
		49	7.9	89.3	14.3	276			
	145 (10)	12.9	2.1	23.6	3.81	6000	19.52		
		49	7.9	89.3	14.4	414			
MX57 1" Plunger	50 (3.45)	23	9.4	42	17.2	1100	11.97	7451	211
		87	35.6	159	65.1	75.8			
	100 (6.9)	23	7.1	42	13	2250	23.93		
		87	26.9	159	49.2	155			
	145 (10)	23	4.2	42	7.6	3250	34.7		
		87	15.9	159	28.8	224			
MX58 1-1/4" Plunger	50 (3.45)	34	14.6	63.3	27	750	18.7	8850	250.6
		128	55.3	239.6	102.2	51			
	100 (6.9)	34	12.5	63.3	23	1400	37.4		
		128	47.3	239.6	87	96			
	145 (10)	34	15.8	63.3	29	2000	54.23		
		128	59.8	239.6	109.8	138			

† Min. Flow at largest discharge pressure per model

### Ordering Notes:

- Stroke Length all models – 2"
- Stroke Speed all models – 1 - 60 SPM
- All MX5 Pumps should be mounted in the horizontal position – pump mounts are included with each unit

### Texsteam Pumps

16240 Port Northwest Drive

Houston, TX 77041

T: 832-590-2306

Toll Free: 1-800-945-9898

F: 713-849-2879



www.dresserutility.com

The Dresser Logo and all Trademarks containing the term "Dresser" are the property of Dresser, LLC, a subsidiary of Baker Hughes.

Texsteam MX-5 Series Fact Sheet NGS.IPG.0008a