

# SRV 803

## Safety Relief Valve



The SRV 803 relief valve is installed downstream of pressure regulators to relieve limited volumes of gas. Used where venting to the atmosphere is acceptable, it provides a cost-effective solution to prevent safety shut-off valves from triggering in case of creep leaks from regulators. This valve is ideal for medium pressure settings and offers a wide setting range and robust performance.

### KEY BENEFITS

- » Compact design
- » Accurate operation
- » High flow capacity
- » Easy maintenance
- » Reliable
- » Tight shut-off

### DESCRIPTION

The SRV 803 relief valve is a springloaded throttling relief valve, where a diaphragm measures the system (inlet) pressure, a spring provides the initial load to the diaphragm and establishes the relief set point, and a valve throttles the relief flow.

### Technical Specifications

Relief set pressure range	0.15 - 5 bar
Operating temperature	-20°C to +60°C
Acceptable gases	Natural gas, town gas, propane, butane, air, nitrogen or any non-corrosive gas

### Sizes & Connections

Sizes	DN 1"
Type	Gas female threaded

### Materials

Body-Casing-Cover	Spheroidal graphite cast iron SFP 50
Valve	Nitrile Rubber
Diaphragm	Rubber, fabric reinforced
Internal Parts	Brass and Stainless Steel

## Flow Capacity

Relief Set Pressure (bar)	Buildup Over Relief Pressure Setting (mbar)	Capacity at Standard Conditions (m <sup>3</sup> /h)
0.8	80	38
0.8	160	96
1.5	150	48
1.5	300	125

### Standard conditions:

- Absolute pressure of 1.013 bar
  - Temperature of 15°C
- The flow rates are indicated for a 0.6 specific gravity gas

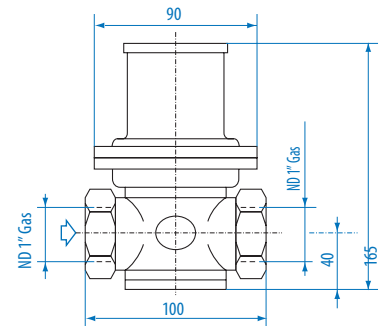
## SRV Spring Selection Tables - DN 1"

SRV	Spring Code	Spring Characteristic				Wu (mbar)
		d	De	Lo	Lt	
803	20565125	2.5	35	50	6	0.15 ÷ 0.25
	20565126	3	35	50	6	0.20 ÷ 0.68
	20565127	3.5	35	50	6	0.20 ÷ 0.85
	20565128	4	35	50	6	0.40 ÷ 1.50
	20565129	4.5	35	50	6	0.50 ÷ 2.30
803/TR	20565127	3.5	35	50	6	0.40 ÷ 1.30
	20565128	4	35	50	6	0.80 ÷ 2.20
	20565129	4.5	35	50	6	1.80 ÷ 3.40
	20565131	5	35	60	6.5	2.50 ÷ 5.00

### Spring characteristics:

- d: wire diameter
- Lo: height
- De: external diameter
- Lt: no. of spires

### Overall Dimensions (mm)



Type SRV 803/803/TR / Weight 2.2 kg

### Information to be specified when ordering:

- » Model
- » Inlet pressure
- » Relief pressure range
- » Connection type
- » Maximum flow rate
- » Kind of gas
- » Quantity required

## Dresser Utility Solutions GmbH

Hardeckstr. 2  
76185 Karlsruhe  
T: +49 (0)721 / 5981 - 0  
info.karlsruhe@dresserutility.com



© 2025 Dresser Utility Solutions GmbH – All rights reserved. Dresser Utility Solutions reserves the right to make changes in specifications and features shown herein, or discontinue the product described at any time without notice or obligation. Contact your Dresser Utility Solutions representative for the most current information. The Dresser Logo and all Trademarks containing the term "Dresser" are the property of Dresser, LLC, a subsidiary of Baker Hughes. Actaris™ is a trademark owned by Itron, Inc. and used under license.