



Quantometer Delta QD®

224-099-2802

AJ

Instruction manual

Mode d'emploi

Betriebsanleitung

Istruzioni d'uso

Manual de instrucciones

EN	FR	DE	ES	IT	PT	HU
EU DECLARATION OF CONFORMITY	DECLARATION UE DE CONFORMITE	EU KONFORMITÄTS-ERKLÄRUNG	DECLARACIÓN UE DE CONFORMIDAD	DICHIARAZIONE DI CONFORMITÀ UE	DECLARAÇÃO UE DE CONFORMIDADE	EU-MEGFELELŐSÉGI NYILATKOZAT
Type Designation						
Gas meter: Rotary gas meter						
Nom et adresse du fabricant		Name und Anschrift des Herstellers		Nombre y dirección del fabricante		Nome ed indirizzo del fabbricante
Nome e endereço do fabricante		A gyártó neve és címe				
Dresser Utility Solutions GmbH, Hardeckstraße 2, 76185 Karlsruhe, Germany						
This declaration of conformity is issued under the sole responsibility of the manufacturer.	La présente déclaration de conformité est établie sous la seule responsabilité du fabricant.	Die alleinige Verantwortung für die Ausstellung dieser Konformitätserklärung trägt der Hersteller.	La presente declaración de conformidad se expide bajo la exclusiva responsabilidad del fabricante.	La presente dichiarazione di conformità è rilasciata sotto la responsabilità esclusiva del fabbricante.	A presente declaração de conformidade é emitida sob a exclusiva responsabilidade do fabricante.	Ezt a megfelelőségi nyilatkozatot a gyártó kizárólagos felelőssége mellett adják ki.
Objet de la déclaration		Gegenstand der Erklärung		Objeto de la declaración		Oggetto della dichiarazione
Objecto da declaração		A nyilatkozat tárgya				
Quantometer Delta QD						
The object of the declaration described above is in conformity with the relevant Union harmonization legislation and the corresponding harmonized standards	L'objet de la déclaration décrit ci-dessus est conforme à la législation communautaire d'harmonisation applicable ainsi qu'aux normes harmonisées associées	Der oben beschriebene Gegenstand der Erklärung erfüllt die einschlägigen Harmonisierungsrechtsvorschriften der Gemeinschaft und den entsprechenden harmonisierten Normen	El objeto de la declaración descrita anteriormente es conforme a la legislación comunitaria de armonización pertinente y las normas armonizadas correspondientes	L'oggetto della dichiarazione di cui sopra è conforme alla pertinente normativa comunitaria di armonizzazione e alle corrispondenti norme armonizzate	O objecto da declaração acima mencionada está em conformidade com a legislação comunitária aplicável em matéria de harmonização e as correspondentes normas harmonizadas	A fent leírt nyilatkozat tárgya összhangban van a vonatkozó uniós harmonizációs jogszabályokkal és a megfelelő harmonizált szabványokkal
2014/68/EU (PED) - EN 12480:2007-09 - EN 12480:2015 The used fluids are classified in group 1 according to article 13.		OJ L 189, Page 164, 27.04.2014		(Category IV)		
2014/34/EU (ATEX) - EN IEC 60079-0:2018 - EN 60079-11:2012 - EN ISO 80079-36:2016 - EN ISO 80079-37:2016		OJ L 96, Page 309, 29.03.2014				
2014/30/EU (EMC) - EN 60947-5-6:2000 - EN 60947-5-2:2007/A1:2012 - EN IEC 60947-5-2:2020		OJ L 96, Page 79, 29.03.2014				
2011/65/EU (RoHS) updated delegated Directive 2015/863/EU - EN IEC 63000: 2018				OJ L 137, Page 10, 04.06.2015		
Certificates issued by the notified body	Certificats délivrés par l'organisme notifié	von der notifizierten Stelle ausgestellte Bescheinigungen	Certificados emitidos por el organismo notificado	Certificati rilasciati dall'organismo notificato	Certificados emitidos pelo organismo notificado	bejelentett szervezet által kiállított igazolások
PED	Module B - Type approval Module D	DVGW CERT GmbH (CE 0085) Josef-Wirmer-Str. 1-3 D-53123 Bonn TÜV SÜD Industrie Service GmbH (CE 0036); Westendstr. 199, D-80686 München				
ATEX	Module B - Type approval Module D	Bureau Vertias Consumer Services Deutschland GmbH (CE 2004), Businesspark A96, D-86842 Türkheim TÜV SÜD Product Service GmbH (CE 0123), Ridlerstr. 65 D-80339 München				
Place and date of issue	Date et lieu d'établissement	Ort und Datum der Ausstellung	Lugar y fecha de expedición	Luogo e data del rilascio	Local e data da emissão	Kiállítás helye és dátuma
Karlsruhe, 18.06.2024						
Name, Function, Signature	Nom, Fonction, Signature	Name, Funktion, Unterschrift	Nombre, Cargo, Firma	Nome e cognome, Funzione, Firma	Nome, Cargo, Assinatura	Név, beosztás, aláírás
		S. Corbière Quality Manager				

RO	NL	TR	KOR
DECLARAȚIA UE DE CONFORMITATE	EU VERKLARING VAN OVEREENSTEMMING	AB UYGUNLUK BEYANI	EU 적합성 선언

Numele și adresa producătorului	Naam en adres van de fabrikant	Üretici firmanın adı ve adresi	제조업체의 이름과 주소
---------------------------------	--------------------------------	--------------------------------	--------------

Această declarație de conformitate este emisă sub responsabilitatea exclusivă a producătorului.	Deze conformiteitsverklaring wordt verstrekt onder de verantwoordelijkheid van de fabrikant.	Bu uygunluk beyanı, tamamen üreticinin sorumluluğu altında düzenlenmiştir.	이 적합성 선언은 전적으로 제조업체의 책임하에 발행됩니다.
Obiectul declarației	Onderwerp van de verklaring	Beyannamenin amacı	선언의 대상

Obiectul declarației descrise mai sus este în conformitate cu legislația relevantă de armonizare a Uniunii și cu standardele armonizate corespunzătoare	Het onderwerp van de hierboven beschreven verklaring is in overeenstemming met de relevante harmonisatiewetgeving van de Unie en de overeenkomstige geharmoniseerde normen	Yukarıda açıklanan beyannamenin amacı, ilgili Birlik uyumlaştırma mevzuatına ve ilgili uyumlaştırılmış standartlara uygundur.	위에 설명된 선언의 목적은 관련 연합의 일치된 법규 및 일치된 해당 표준을 준수하는 것입니다.
---	--	---	--

Certificate emise de organismul acreditat	Certificaten afgegeven door de aangemelde instantie	onaylanmış kuruluş tarafından verilen sertifikalar	해당되는 경우, 인증 기관에서 발급한 인증서
---	---	--	--------------------------



II 1G Ex h ia IIC T5 Ga

DVGW CE-0085BM0420
DGR-0036-QS-955-23
EPS 22 ATEX 1 269 X

Locul și data emiterii	Plaats en datum van uitgifte	Yayın Yeri ve tarihi	발행 장소 및 날짜
------------------------	------------------------------	----------------------	------------

Nume, funcție, semnătură	Naam, functie, handtekening	İsim, Fonksiyon, İmza	이름, 기능, 서명
--------------------------	-----------------------------	-----------------------	------------

1	Characteristics.....	5
2	Packing	5
	2.1 Storage.....	5
	2.2 Handling.....	5
3	Installation.....	5
	3.1 General	5
	3.2 Filtration	5
	3.3 Lubrication.....	5
	3.3.1 General.....	5
	3.3.2 Choice of lubricant	6
	3.3.3 Capacity of end covers.....	6
	3.3.4 Filling and draining procedure	6
4	Accessories.....	6
	4.1 Electrical accessories	6
	4.1.1 Low frequency transmitter (furnished as standard)	6
	4.1.2 Anti tampering	6
	4.1.3 Cyble sensor.....	6
	4.1.4 High frequency transmitters (furnished as option)	6
	4.1.5 Pulse values of LF and HF transmitters: see Annex 1	6
	4.2 External dryer cartridge.....	6
5	Start-up	6
	5.1 General	6
	5.2 Installation with by-pass: See Annex 6.....	7
	5.3 Installation without by-pass: See Annex 7	7
	5.4 Meters placed after a regulator	7
6	Maintenance	7
	6.1 Maintenance of the meter.....	7
	6.2 Maintenance of optional equipment	7
	6.2.1 LF and HF transmitters.....	7
	6.2.2 Filter.....	7
7	Annex	28

Keep this manual easily accessible for all users. Ask for a written approval of the manufacturer for all cases not planned in this instruction manual. Please respect all national rules for installation, operation and service of gas meters. All approvals are only valid as long as no significant structural changes are made to the device.

1 Characteristics

Delta QD meters are designed to measure gases of the 1st, 2nd and 3rd gas families as specified in EN437 as well as various filtered, not ignition-capable and noncorrosive gases.

General characteristics: See Annex 1

2 Packing

The meter is delivered in a cardboard box, protected by carton inserts.

The packing shall contain the filling lubricant, plugs for the installed transmitters and this instruction manual.

2.1 Storage

If the meter is not going to be used immediately, it should be stored under cover in a clean, dry environment, in the horizontal position.

The caps fitted in the inlet and outlet pipe must stay in place until installation.

2.2 Handling

The meter is delivered without lubricant in the cover. Before shipping or handling, ensure that the lubricant has been thoroughly drained from the front cover to prevent spillage into the measuring chamber.

3 Installation

3.1 General

Due to the volumetric principle of the Delta QD meter, its metrology is not influenced by the installation conditions. Nevertheless the respect of the following rules will insure the best use of your meter: Recommended installation: See Annex 2

- Check visually that the meter has not been damaged during transport.
- Check additionally ease of movement by blowing it on, prior to installation in the pipeline.
- No welding is allowed with meter installed.
- The meter should be installed with the impellers horizontal. Allowed deviation: $\pm 5^\circ$.
- Never install a meter at a low point in the piping where the meter could be subject to the accumulation of water or particles.

- If Teflon tape is used to tight threaded joint then the best attention must be taken to avoid introducing tape in the measuring chamber.
- The meter should be installed without stress in the piping.

The use of a filter, placed upstream of the meter, is advisable in gas with high particulate content. See § 3.2.

Before installation:

- The piping upstream of the meter should be free of dust.
- Remove the protective caps.
- Ensure that the direction of gas flow corresponds with the arrow situated on the meter body.
- Check that the impellers turn freely.
- Possible accessories to be assembled onto the meter must not interfere its corrosion protection.
- The meter is designed for up to ATEX zone 0 environment. Whereas inside the installed meter only not ignitable gas compositions are allowed. That may require for an ATEX conform commissioning an inertization prior the initial use with combustion gases. Same applies to recommissioning.

3.2 Filtration

Rotary meters work better if there are no particles within the gas. It is advisable therefore to filter the gas upstream of the meter. Recommended level of filtration is 100 μm or better.

While the meter is in service, periodically check the cleanliness of the filter, especially in the case of a new installation or after work has been performed on the upstream piping.

For installation with flow direction from bottom to top a particular attention has to be taken to the filtering conditions to avoid that accumulation of dust downstream of the meter may come back into the meter. For example a second filter can be installed downstream of the meter.

3.3 Lubrication

3.3.1 General

Choose the lubricant according to the operating conditions. This lubricant should be neutral and non detergent. Important:

- A lack of lubricant could cause premature wear of the meter.
- An excess of lubricant can also induce problems. A surplus of lubricant can contaminate the measuring chamber, may degrade the metrology and cause damage to the bearings and the impellers due to the mixture of lubricant and small impurities contained in the gas.
- Always drain the end-covers before moving the meter.

3.3.2 Choice of lubricant

Viscosity: The viscosity has been calculated to ensure mechanical and metrological performance of the meter.

Commercial references: Annex 3 contains a list of commercial lubricants usable for industrial gas except gases such as oxygen and halogens. For other gases, please consult us.


3.3.3 Capacity of the cover:

Horizontal = 10 ml; Vertical = 30 ml

3.3.4 Filling and draining procedure

See Annex 4 for the location of fill, drain plug and sights.

Filling and draining operations should be carried out with the meter installed in the piping, but not pressurised, though the use of Pete's Plugs may allow lubricant levels to be "topped up" while the meter is pressurised (up to 20 bar). See Annex 8. Adjusting the level of oil:

General case: The level is correct when it passes the centre —  — of the lowest sight.

4 Accessories

4.1 Electrical accessories

Remarks about using the meter in potentially hazardous areas (ATEX):

- Pulse transmitters must be connected to intrinsic safe circuits.
- Clean the meter head only with a damp cloth.
- When used in ATEX zone 0, QD meters in aluminum design must be protected from friction or impact processes by rusty steel components by means of a suitable installation in order to prevent the generation of an ignition.
- The meter must be taken in account in the lightning risk evaluation of the complete installation.
- Tools used for installing, removing or repairing the meter on site must be appropriate for use in the hazardous area bearing in mind that the hazardous area classification during meter re-placement may differ from that during normal meter operations.
- The meter shall not be exposed to flame, ionising radiation, ultrasound or strong electromagnetic field.
- Ambient temperature conditions must be considered, including possible additional heating effects due to other devices in immediate vicinity.
- Air clearance, creepage distance and dielectric strength must be considered.

4.1.1 Low frequency transmitter (furnished as standard)

The meter is normally delivered with a double LF pulse output transmitter. The LF is a dry reed switch and is nor-

mally open. See the name plate of the meter and Annex 5 for connection information.

4.1.2 Anti tampering

The meter is delivered as standard with an anti tampering switch. It is a dry reed switch and is normally closed. See the name plate of the meter for connection details.

4.1.3 Cyble sensor

A Cyble sensor can be installed onto the totaliser at any time, see Annex 5. The Cyble sensor is a bounce-free transmitter. It allows also the counting of eventual back flows.

4.1.4 High frequency transmitters (furnished as option)

The meter can be delivered with high frequency transmitters. There are inductive sensors, and connection is to a NAMUR-type input circuit (EN 60947-5-6).

4.1.5 Pulse values of LF, Cyble sensor and

HF transmitters: see Annex 1

4.2 External dryer cartridge

The meter can be equipped with an external silicagel cartridge for installation in severe environment conditions. To replace the cartridge, unscrew the old cartridge, remove the protective plug of the new cartridge and screw it into the totaliser.

5 Start-up

5.1 General

The procedure of start-up is always dependent on the installation configuration.

Before pressurising the meter, the lubrication procedure should be performed. Pressurisation or depressurisation should be carried out with very low pressure change. The pressure change should not exceed 0.3 bar/5 P.S.I. per second. After start-up, please check the tightness of the installation.

The proper installation and functioning of the meter can be verified by a visual control of the totaliser (to check that the meter runs properly) and by measuring its pressure loss while running though the use of Pete's Plugs may allow this pressure loss to be measured while the meter is pressurised (up to 20 bar).

5.2 Installation with by-pass:

See Annex 6

START-UP:

Begin with all valves closed.

- Slowly open the by-pass valve to pressurise the downstream piping.
- When the pressure is balanced downstream, slowly open the small upstream valve V1. The pressure variation should not exceed 0.3 bar per second.
- When the pressure is balanced in the meter, slowly open the main upstream valve and then close V1.
- Slowly open the downstream valve and check that the meter starts to register the flow.
- Gradually, close the by-pass valve. Check that the flow rate doesn't exceed the capacity of the meter.

SHUT DOWN:

- Slowly open the by-pass valve and then close the upstream and downstream valves on the meter line.
- Carefully open the small bleeder valve V2 and depressurise the meter. The pressure variation should not exceed 0.3 bar per second.
- Some gas still inside the meter and the pipe, therefore sufficient ventilation is required.

5.3 Installation without by-pass: See Annex 7

START-UP:

Begin with all valves closed.

- Slightly open the upstream valve to pressurise the meter line. The pressure variation should not exceed 0.3 bar per second. When the pressure is balanced, fully open the upstream valve.
- Slightly open the downstream valve. The valve should be opened a small amount to maintain:
 - The upstream pressure in the meter line.
 - A low flow rate in the meter during the downstream pressurisation (approx. 5% Q_{max}).

When the downstream pressure is balanced, the downstream valve can be completely opened.

SHUT DOWN:

- Very slowly close the downstream valve and check that the meter is no longer recording.
- Close the upstream valve.
- Slowly open the small bleed valve V2. The pressure variation should not exceed 0.3 bar per second.
- Some gas still inside the meter and the pipe, therefore sufficient ventilation is required.

5.4 Meters placed after a regulator

Installation has to be done in accordance with the technical manual of the specific regulator. During pressurisation and depressurisation, insure that the pressure variation should not exceed 0.3 bar per second.

6 Maintenance

6.1 Maintenance of the meter

Once installed, the meter does not require any specific attention except a periodical check or change of the lubricant filled in the covers.

After start-up:

Natural gas: After the preliminary term of service, the lubricant level should be checked.

Other gases: After a working period of 100 hours from commissioning, the lubricant level should be checked.

If the lubricant level is appreciably low, if the lubricant is emulsified or if there is a chemical reaction between the lubricant and the gas, the lubricant should be reassessed and changed to fit the prevailing conditions.

Periodical change of lubricant:

The period between checks or changes of lubricant depends of the operating conditions (pressure variation, flow rate...).

Natural gas: Under normal conditions, lubricant has to be changed every 5 to 8 years. When the meter is used with extremely clean gas the period can be extended.

Other gases: Please consult us.

Use solvent and alcohol free product to clean the meter. Repair must be done only by qualified personal. Afterwards a tightness test with $1.1 \times PS$ (P_{max}) must be performed.

If used with wet gas, internal and external effect of corrosion has to be checked regularly and in case of severe corrosion, the meter has to be replaced. Spare parts:

When changing pressure containing parts, ensure that spare parts that comply with the PED are used.

6.2 Maintenance of optional equipment

6.2.1 LF and HF transmitters

These transmitters do not require any specific maintenance. The function of the transmitters can be checked by comparing the electronic index with the meter index.

6.2.2 Filter

If an increase of pressure loss is noticed, the filter should be checked and cleaned/replaced before any maintenance on the meter.

1	Caractéristiques	9
2	Emballage	9
	2.1 Stockage	9
	2.2 Manutention	9
3	Installation	9
	3.1 Généralités	9
	3.2 Filtration	9
	3.3 Lubrification	10
	3.3.1 Généralités	10
	3.3.2 Choix du lubrifiant	10
	3.3.3 Contenance des carters	10
	3.3.4 Remplissage et vidange	10
4	Accessoires	10
	4.1 Accessoires électriques	10
	4.1.1 Emetteur basse fréquence (équipement standard)	10
	4.1.2 Surveillance de ligne	10
	4.1.3 Capteur Cyble	10
	4.1.4 Haute fréquence (disponible en option)	10
	4.1.5 Poids d'impulsions des émetteurs BF et HF : voir l'annexe 1	11
	4.2 Cartouche silicagel externe	11
5	Mise en service	11
	5.1 Généralités	11
	5.2 Installation avec bi-pass : voir l'annexe 6	11
	5.3 Installation sans bi-pass : voir l'annexe 7	11
	5.4 Compteurs placés après un régulateur	11
6	Entretien	11
	6.1 Entretien du compteur	11
	6.2 Entretien de l'équipement disponible en option	12
	6.2.1 Emetteurs BF et HF	12
	6.2.2 Filtre	12
7	Annexes	28

Veillez conserver ce mode d'emploi accessible pour tous les utilisateurs. Demander l'accord écrit du fabricant pour tous les cas non prévus dans le présent mode d'emploi. Veillez respecter toutes les réglementations nationales pour l'installation, l'utilisation et la maintenance des compteurs de gaz.

Toutes les approbations sont valables tant qu'aucune modification structurelle significative ne soit apportée au produit.

1 Caractéristiques

Les compteurs Delta QD sont conçus pour mesurer les gaz des 1^{er}, 2^{eme} et 3^{eme} familles comme définies dans l'EN437 ainsi que de nombreux gaz filtrés, non inflammables et non corrosifs.

Caractéristiques générales : voir l'annexe 1

2 Emballage

Le compteur est livré dans un emballage carton équipé de protections.

L'emballage contient le lubrifiant, les prises pour les émetteurs d'impulsion installés et le présent manuel.

2.1 Stockage

Si le compteur n'est pas utilisé dans l'immédiat, il doit être protégé et entreposé en position horizontale dans un lieu propre et sec. Les obturateurs placés dans les orifices d'entrée et de sortie doivent rester en place jusqu'à l'installation du compteur sur la canalisation.

2.2 Manutention

Le compteur est fourni sans lubrifiant dans les carters. Avant toute expédition ou manutention, il faut vous assurer que le lubrifiant a été complètement vidangé de carter avant de façon à éviter un déversement intempesitif du lubrifiant dans la chambre de mesure.

3 Installation

3.1 Généralités

Le compteur doit impérativement être installé dans un environnement dont les conditions limites (en particulier pression, température, débit,...) sont compatibles avec ses caractéristiques propres indiquées sur la plaque signalétique. Compte tenu du principe volumétrique du compteur Delta QD, sa métrologie n'est pas influencée par les conditions d'installation. Néanmoins, pour garantir le bon fonctionnement du compteur, les instructions

suivantes devront être respectées : voir l'annexe 2.

- Vérifier visuellement que le compteur n'a pas été endommagé durant le transport. De plus, il faut vérifier le bon fonctionnement du compteur en soufflant dedans juste avant de le monter dans la canalisation.
- Les opérations de soudures sur la canalisation ne sont pas autorisées lorsque le compteur est installé.
- Le compteur devra être installé avec les pistons à l'horizontale. Déviation permise : +/- 5°.
- Ne jamais installer un compteur à un point bas d'une installation où il pourrait être soumis à une accumulation d'eau ou de particules.
- L'utilisation de bande téflon sur les raccords filetés doit être faite avec beaucoup de précaution de manière à éviter d'en introduire dans la chambre de mesure.
- Le compteur doit être installé sans contraintes sur la canalisation.
- L'utilisation d'un filtre placé en amont du compteur est conseillée pour des gaz qui présentent un contenu particulaire élevé. Voir § 3.2

Avant l'installation :

- S'assurer que la canalisation en amont du compteur est exempte de poussières.
- Enlever les obturateurs placés dans les orifices d'entrée et de sortie.
- S'assurer que le sens d'écoulement du gaz correspond à la flèche située sur le compteur.
- S'assurer que les pistons tournent librement.
- Les accessoires qui peuvent être montés sur le compteur ne doivent pas nuire à sa protection contre la corrosion.
- Le compteur est prévu pour une installation jusqu'en zone 0 selon l'ATEX, alors que gaz à l'intérieur du compteur doit avoir une composition non inflammable. Ceci peut nécessiter pour une mise en route conforme à l'ATEX un inertage avant utilisation avec un gaz combustible. Cet inertage est aussi nécessaire pour toutes mises en route ultérieures.

3.2 Filtration

Les compteurs à pistons rotatifs fonctionnent mieux si le gaz ne contient pas de particules. Par conséquent, il est conseillé de filtrer le gaz en amont du compteur. Le niveau de filtration recommandé est d'au moins 100 µm. Lorsque le compteur est en service, il faut vérifier périodiquement la propreté du filtre, notamment dans le cas d'une nouvelle installation ou après l'exécution de travaux sur la tuyauterie en amont du compteur.

Dans le cas d'une installation ayant une direction du gaz du bas vers le haut, il faut particulièrement faire attention à la filtration de manière à éviter que des poussières accumulées à l'aval ne retombe dans le compteur. Par exemple, un second filtre peut être installé à l'aval du compteur.

3.3 Lubrification

3.3.1 Généralités

Choisir le lubrifiant en fonction des conditions d'exploitation. Le lubrifiant doit être neutre et non détergent. Important :

- Une lubrification insuffisante peut causer une usure prématurée du compteur.
- Une lubrification excessive peut également entraîner des problèmes. Un surplus de lubrifiant peut contaminer la chambre de mesure, détériorer la métrologie et occasionner des dommages sur les paliers et les pistons en raison du mélange du lubrifiant et des impuretés contenues dans le gaz.
- Toujours vidanger les carters avant le transport du compteur.

3.3.2 Choix du lubrifiant


Viscosité : la viscosité a été calculée pour assurer la meilleure performance mécanique et métrologique du compteur.

Références commerciales : L'annexe 3 contient une liste de lubrifiants du commerce. Ils peuvent être utilisés pour les gaz industriels, à l'exception des gaz tels qu'oxygène et halogènes. En cas d'utilisation avec d'autres gaz, veuillez nous consulter.

3.3.3 Contenance des carters :

Horizontal = 10 ml; Vertical = 30 ml

3.3.4 Remplissage et vidange

Voir l'annexe 4 pour l'emplacement des bouchons de remplissage, de vidange et des voyants de niveau de lubrifiant. Avant l'installation: Les opérations de remplissage et de vidange doivent être effectuées lorsque le compteur est installé sur la conduite, sans pression. L'utilisation de Pete's Plugs permet de réaliser les niveaux de lubrifiant alors que le compteur est sous pression (jusqu'à 20 bars). Voir l'annexe 8. Comment effectuer la mise à niveau de lubrifiant: Cas général: Le niveau est correct quand il atteint le centre  du voyant placé le plus bas.

4 Accessoires

4.1 Accessoires électriques

Instructions pour l'utilisation en atmosphères potentiellement explosives (ATEX) :

- Les émetteurs d'impulsions ne doivent être raccordés

qu'à des circuits électriques de sécurité intrinsèque.

- Nettoyer le totalisateur uniquement avec un chiffon humide.
- Lorsque des pièces en aluminium sont utilisés en zone 0 selon l'ATEX, ils doivent être protégés des processus de frottement ou d'impact de composants en acier rouillés au moyen d'une installation appropriée afin d'éviter une inflammation.
- Le compteur doit être pris en compte dans l'évaluation du risque de foudre de l'ensemble de l'installation.
- Pour le montage, démontage ou réparation sur site du compteur, uniquement des outils autorisés d'emploi en zone explosive peuvent être utilisés.
- Le compteur ne doit pas être exposé aux flammes, radiations ionisantes, ultrasons ou à des champs électromagnétiques puissants.
- Les conditions de température ambiante doivent être prises en compte, y compris les éventuels effets de chauffage supplémentaires dus à d'autres dispositifs à proximité immédiate.
- Les connecteurs, l'espacement entre les broches, les lignes de fuite et la rigidité diélectrique doivent être prises en compte.

4.1.1 Emetteur basse fréquence (équipement standard)

Le compteur est livré avec un double émetteur d'impulsions à basse fréquence. L'émetteur BF est constitué d'une ampoule Reed à contact sec normalement ouvert. Le schéma de câblage est indiqué sur la plaque signalétique du compteur. Voir aussi l'annexe 5 pour de plus amples informations.

4.1.2 Surveillance de ligne

Le compteur est livré en standard avec un contact de surveillance de ligne. Il s'agit d'une ampoule Reed à contact sec normalement fermé. Le schéma de câblage est indiqué sur la plaque signalétique du compteur.

4.1.3 Capteur Cyble

Le capteur Cyble peut être installé à n'importe quel moment sur le totalisateur, voir l'annexe 5. Le capteur Cyble est un émetteur d'impulsion sans rebond qui permet aussi de prendre en compte les débits inverses éventuels.

4.1.4 Emetteurs à haute fréquence (disponible en option)

Le compteur peut être livré avec des émetteurs à haute fréquence, de type inductif. Le branchement s'effectue sur un appareil possédant un circuit d'entrée de type NAMUR (EN 60947-5-6).

4.1.5 Poids d'impulsions des émetteurs BF, Cyble et HF : voir l'annexe 1

4.2 Cartouche silicagel externe

Le compteur peut être équipé en option d'une cartouche silicagel externe pour les installations dans les environnements difficiles. Pour remplacer la cartouche, dévisser l'ancienne, enlever l'opercule de protection de la nouvelle et la revisser dans le totalisateur.

5 Mise en service

5.1 Généralités

La procédure de mise en service dépend toujours de la configuration de l'installation. Avant de mettre le compteur sous pression, le niveau de lubrifiant doit être effectué. La pressurisation ou dépressurisation doit être effectuée graduellement : 0.3 bars / 5 P.S.I. par seconde au maximum.

Après mise en service, l'étanchéité de l'installation doit être vérifiée.

La bonne installation et le bon fonctionnement du compteur peuvent être vérifiés par un control visuel du totalisateur (pour vérifier que le compteur tourne correctement) ainsi que par la mesure de la perte de charge du compteur en fonctionnement. L'utilisation de Pete's Plugs permet de réaliser cette mesure alors que le compteur est sous pression (jusqu'à 20 bars).

5.2 Installation avec bi-pass : voir l'annexe 6

MISE EN SERVICE :

- Procéder à la mise en service toutes vannes fermées.
- Ouvrir lentement la vanne de bi-pass de façon à pressuriser la tuyauterie aval.
- Lorsque la pression est équilibrée en aval, ouvrir lentement le robinet V1. Les variations de pression ne doivent pas dépasser 0.3 bars par seconde.
- Lorsque la pression est équilibrée dans le compteur, ouvrir lentement la vanne principale amont, puis fermer V1.
- Ouvrir lentement la vanne aval et s'assurer que le compteur commence à enregistrer le débit.
- Fermer progressivement la vanne de bi-pass. Vérifier que le débit ne dépasse pas la capacité du compteur.

MISE HORS SERVICE :

- Ouvrir lentement la vanne de bi-pass puis fermer les vannes en amont et en aval du compteur.
- Ouvrir légèrement le robinet V2 et dépressuriser le compteur. Les variations de pression ne doivent pas dépasser 0.3 bars par seconde. S'assurer de la dépressurisation complète du compteur.

- Du gaz peut rester dans le compteur ou la canalisation, c'est pourquoi une ventilation suffisante est nécessaire.

5.3 Installation sans bi-pass : voir l'annexe 7

MISE EN SERVICE :

Procéder à la mise en service toutes vannes fermées.

- Ouvrir lentement la vanne amont de façon à pressuriser le compteur. Les variations de pression ne doivent pas dépasser 0.3 bars par seconde. Lorsque la pression est équilibrée, ouvrir entièrement la vanne amont.
- Ouvrir lentement la vanne aval. La vanne doit être légèrement ouverte pour maintenir :
 - la pression amont dans le compteur.
 - Un débit faible dans le compteur pendant la pressurisation (approx. 5% Q_{max}).

Lorsque la pression aval est équilibrée, la vanne aval peut être entièrement ouverte.

MISE HORS SERVICE :

- Fermer la vanne aval très lentement et vérifier que le compteur n'enregistre plus de débit.
- Fermer la vanne amont.
- Ouvrir lentement le robinet V2. Les variations de pression ne doivent pas dépasser 0.3 bars par seconde. S'assurer de la dépressurisation complète du compteur.

Du gaz peut rester dans le compteur ou la canalisation, c'est pourquoi une ventilation suffisante est nécessaire.

5.4 Compteurs placés après un régulateur

L'installation doit être effectuée conformément au manuel technique spécifique du régulateur. Lors de la pressurisation ou de la dépressurisation, il faut veiller à ce que les variations de pression ne dépassent pas 0.3 bars par seconde.

6 Entretien

6.1 Entretien du compteur

Une fois installé, le compteur ne nécessite pas d'attention particulière, hormis un suivi périodique du lubrifiant contenu dans les carters.

Après la mise en service :

Gaz naturel : après quelques jours de service, le niveau du lubrifiant doit être vérifié.

Autres gaz : après une période de fonctionnement de 100 heures à compter de la mise en service, le niveau de lubrifiant doit être contrôlé.

Si le niveau du lubrifiant est sensiblement bas, si le lubrifiant est émulsifié ou en cas de réaction chimique entre le lubrifiant et le gaz, les caractéristiques du lubrifiant doivent être changées.

Période de remplacement du lubrifiant :

La période entre les contrôles ou les remplacements du

lubrifiant dépend des conditions d'exploitation (variations de pression, débit...).

Gaz naturel : dans des conditions d'utilisation normale, le lubrifiant doit être remplacé tous les 5 à 8 ans. Si le compteur est utilisé avec un gaz extrêmement propre, cette durée peut être augmentée. Autres gaz : veuillez nous consulter.

Utiliser un produit sans solvant ni alcool pour nettoyer le compteur.

La réparation ne doit être effectuée que par du personnel qualifié. Après réparation, un essai d'étanchéité à $1,1 \times PS$ (P_{max}) doit être effectué.

En cas d'utilisation avec des gaz humides, les effets de la corrosion doivent être périodiquement vérifiés. En cas de corrosion importante, le compteur doit être remplacé.

Pièces détachées :

Lorsqu'une pièce sous pression est changée, il faut s'assurer que la pièce détachée est conforme à la PED.

6.2 Entretien de l'équipement disponible en option

6.2.1 Emetteurs BF et HF

Ces émetteurs ne nécessitent pas d'entretien spécifique. Le fonctionnement des émetteurs peut être contrôlé en comparant l'index du correcteur et l'index du compteur.

6.2.2 Filtre

Si une augmentation de la perte de pression est constatée, le filtre doit être contrôlé et nettoyé ou remplacé avant d'effectuer des opérations d'entretien sur le compteur.

1	Eigenschaften	14
2	Verpackung	14
2.1	Lagerung	14
2.2	Handhabung	14
3	Installation	14
3.1	Allgemein	14
3.2	Filtration	14
3.3	Schmierung	15
3.3.1	Allgemein	15
3.3.2	Schmiermittelwahl	15
3.3.3	Kapazität der Ölkammern	15
3.3.4	Vorgehensweise zum Befüllen- und Ablassen von Öl	15
4	Zubehör	15
4.1	Elektrisches Zubehör	15
4.1.1	Niederfrequenter Impulsgeber (Standardausstattung)	15
4.1.2	Anti-Manipulationskontakt	15
4.1.3	Cyble-Sensor	15
4.1.4	Hochfrequenzimpulsgeber (optional)	15
4.1.5	Impulswerte von RK und HF-Transmittern: Siehe Anlage 1	15
4.2	Externe Trockenpatrone für das Zählwerk	15
5	Inbetriebnahme	16
5.1	Allgemein	16
5.2	Installation mit Bypass: Siehe Anlage 6	16
5.3	Installation ohne Bypass: Siehe Anlage 7	16
5.4	Messgeräte nach einem Regler	16
6	Wartung	16
6.1	Wartung des Messgerätes	16
6.2	Wartung der optionalen Ausrüstung	17
6.2.1	RK und HF Impulsgeber	17
6.2.2	Filter	17
7	Technische Daten	28

Dieses Dokument muss für alle befugten Personen leicht zugänglich aufbewahrt werden. Fordern Sie eine schriftliche Bestätigung für alle nicht in dieser Betriebsanleitung aufgeführten Beschreibungen an. Bitte unbedingt die nationalen gültigen Regeln und Normen beachten. Alle Zulassungen sind nur gültig, solange keine wesentlichen baulichen Veränderungen am Gerät vorgenommen werden.

1 Eigenschaften:

Der Drehkolbenzähler Delta QD eignet sich zur Messung aller Gase der 1., 2. und 3. Familie entsprechende EN437 sowie allen anderen gefilterten, nicht zündfähigen und nicht-korrosiven Gase.

Allgemeine Kenndaten: Siehe Anlage 1

2 Verpackung

Das Messgerät wird in einem Hartpapierkarton, geschützt durch Einlagen aus Karton geliefert.

Die Verpackung muss das Befüllschmiermittel beinhalten, Stecker für die installierten Impulsgeber und dieses Handbuch.

2.1 Lagerung

Wird das Messgerät nicht sofort verwendet, so sollte es in einer sauberen, trockenen Umgebung und in horizontaler Position gelagert werden. Die Kappen am Einlass- und Auslassrohr müssen bis zur Installation montiert bleiben.

2.2 Handhabung

Das Messgerät wird ohne Schmiermittel in der Ölkammer geliefert. Bei Transport nach erfolgter Befüllung mit Schmiermittel (z.B. zum Zwecke der Nacheichung) ist sicherzustellen, dass das Schmiermittel vor Versand oder Handhabung vollständig aus der vorderen Ölkammer abgelassen wurde, um ein Eindringen des Schmiermittels in die Messkammer zu vermeiden.

3 Installation

3.1 Allgemein

Durch das volumetrische Messprinzip des Zählers wird dessen Metrologie nicht durch die Installationsbedingungen beeinflusst. Trotzdem gewährleistet die Einhaltung der folgenden Regeln eine bestmögliche Verwendung des Drehkolbenzählers:

Empfohlene Installation: Siehe Anlage 2.

- Bitte überprüfen Sie das Messgerät vor der Installation

auf mögliche Transportschäden. Zusätzlich ist die Leichtgängigkeit des Zählers durch Anblasen unmittelbar vor Montage in die Rohrleitung zu überprüfen.

- An der Leitung dürfen keine Schweißarbeiten bei eingebautem Zähler durchgeführt werden.
- Das Messgerät muss mit horizontal ausgerichteten Kolbenachsen installiert werden. Zulässige Abweichung: $\pm 5^\circ$.
- Installieren Sie das Messgerät niemals am tiefsten Punkt der Rohrleitung, wo sich Wasser oder Schmutzpartikel ansammeln könnten.
- Bei Verwendung von Teflonband zur Gewindeabdichtung muss darauf geachtet werden, dass kein Band in die Messkammer hinein ragt.
- Das Gerät muss spannungsfrei in die Rohrleitung eingebaut werden und alle Flansche parallel ausgerichtet sein.
- Für Gase mit einem hohen Partikelgehalt wird die Verwendung eines Filters vor dem Messgerät empfohlen. Siehe § 3.2 Vor der Installation:
- Die Rohrleitung vor dem Messgerät sollte frei von Staub sein.
- Die Schutzkappen sind zu entfernen.
- Stellen Sie sicher, dass die Gasströmungsrichtung mit dem Pfeil auf dem Messgerätgehäuse übereinstimmt.
- Freien Lauf der Kolben (Impeller) prüfen.
- Mögliches Zubehör, welches an den Zähler montiert wird, darf dessen Korrosionsschutz nicht beeinträchtigen.
- Der Zähler ist für Installationen in bis zu ATEX-Zone 0 vorgesehen. Wobei innerhalb des installierten Zählers nur nicht zündfähige Gaszusammensetzung zulässig sind. Eine ATEX-konforme Inbetriebnahme kann eine Inertisierung vor der ersten Inbetriebnahme mit Brenngasen erfordern. Gleiches gilt für die Wiederinbetriebnahme.

3.2 Filtration

Drehkolbengaszähler sind empfindlich gegenüber Schmutz und Fremdkörpern im Gas, eine Filtration des Gases vor dem Messgerät ist ratsam. Der Filter soll mindestens Partikel von 100 μm Größe zurückhalten. Nachdem das Messgerät in Betrieb ist, sollte die Sauberkeit des Filters regelmäßig geprüft werden, insbesondere im Falle einer neuen Installation oder nachdem Arbeiten an der Rohrleitung vor dem Zähler durchgeführt wurden. Bei Installation mit Durchflussrichtung von unten nach oben muss besonders auf die Filtration geachtet werden, um zu vermeiden dass Staub aus dem Ausgangsrohr in den Zähler zurück fallen kann. Beispielsweise durch Installation eines zweiten Filters im Zählerausgang.

3.3 Schmierung

3.3.1 Allgemein

Wählen Sie das entsprechende Schmiermittel laut den

Betriebsbedingungen. Es sollte sich um neutrales und reinigungsmittelfreies Schmiermittel handeln. Wichtig: Ein Mangel an Schmiermittel kann einen übermäßigen Verschleiß des Messgerätes verursachen. Ein Überschuss an Schmiermittel kann auch zu Problemen führen. Überschüssiges Schmiermittel kann die Messkammer verunreinigen, die Messgenauigkeit verringern und Schäden an den Lagern und Kolben verursachen. Immer die Ölkammern entleeren, bevor das Messgerät bewegt wird.

3.3.2 Schmiermittelwahl

Viskosität: Die Viskosität wurde so berechnet, dass die mechanische und metrologische Leistung des Messgerätes gewährleistet wird.


Kommerzielle Referenzen: Anlage 3 beinhaltet eine Liste kommerzieller Schmiermittel für die Verwendung mit Industriegasen außer Sauerstoff und Halogenen. Kontaktieren Sie uns bitte bezüglich anderer Gase.

3.3.3 Kapazität der Ölkammern: Horizontal = 10 ml; Vertikal = 30 ml

3.3.4 Vorgehensweise zum Befüllen- und Ablassen von Öl

Siehe Anlage 4 bezüglich Anordnung der Befüll- und Ablassstopfen sowie der Sichtgläser.

Das Befüllen und Ablassen sollte druckfrei durchgeführt werden, wenn das Messgerät in der Rohrleitung installiert ist. Die Verwendung von „Pete`s Plugs“ ermöglicht das „Auffüllen“ von Schmiermittel, während das Messgerät unter Druck steht (bis zu 20 Bar). Siehe Anlage 8.

Allgemein: Der Füllstand ist richtig wenn das Schmiermittel in der Mitte –  – des unteren Schauglases steht.

4 Zubehör

4.1 Elektrisches Zubehör

Hinweise für den Ex-Einsatz (ATEX):

- Alle Impulsgeber dürfen nur an eigensichere Stromkreise angeschlossen werden.
- Der Zähler ist nur mit einem feuchtem Tuch zu reinigen.
- Bauteile in Aluminium sind bei der Verwendung in ATEX Zone 0 vor Reib- oder Schlagvorgängen durch rostbehaftete Stahlbauteile mittels einer geeigneten Installation zu schützen, um eine Erzeugung von Funken zu verhindern.
- Der Zähler muss in der Blitzschutzbetrachtung der gesamten Installation berücksichtigt werden.
- Für Ein-/Ausbau von Geräten bzw. deren Reparatur vor Ort dürfen nur die Werkzeuge, die für die betreffende Ex-Zone zugelassen sind, verwendet werden.

- Geräte dürfen auf keinen Fall Flammen, ionisierter-Strahlung, Ultraschall oder starken elektromagnetischen Wellen ausgesetzt werden.
- Sofern zusätzliche Wärmequellen in der direkten Umgebung vorhanden sind, müssen diese bei der Betrachtung der Umgebungstemperatur beachtet werden.
- Steckverbinder, Stiftabstände, Kriechstrecken und Spannungsfestigkeit müssen berücksichtigt werden.

4.1.1 Niederfrequenter Impulsgeber (Standardausstattung)

Das Messgerät wird standardmäßig mit zwei Reedkontakten (RK) geliefert, die durch einen Magneten in der ersten Zählwerksrollen betätigt werden. Beim RK handelt es sich um ein Schutzgaskontaktrelais, welches normalerweise geöffnet ist. Die Polarität der Anschlüsse wird auf dem Typenschild des Messgerätes und in Anlage 5 angegeben.

4.1.2 Anti-Manipulationskontakt

Das Messgerät wird standardmäßig mit einem Anti-Manipulationskontakt geliefert. Dabei handelt es sich um ein Schutzgaskontaktrelais, welches normalerweise geschlossen ist. Siehe Typenschild des Messgerätes bezüglich Polarität der Anschlüsse.

4.1.3 Cyble-Sensor

Der Cyble-Sensor kann jederzeit auf dem Zählwerk angebracht werden und ist ohne Verletzung der Eichplomben nachrüstbar, siehe Anlage 5. Bei einem Cyble-Sensor handelt es sich um einen prellfreien Impulsgeber, der auch Rückflüsse registriert und bei der Durchflusszählung berücksichtigt.

4.1.4 Hochfrequenzimpulsgeber (optional)

Das Messgerät kann mit einem Hochfrequenzimpulsgeber (HF) gemäß Namur Standard geliefert werden. Dabei handelt es sich um einen induktiven Sensor (die Verbindung erfolgt zu einem NAMUR-Eingangstromkreis EN 60947-5-6).

4.1.5 Impulswerte von RK, Cyble Sensor und HF-Transmittern: Siehe Anlage 1

4.2 Externe Trockenpatrone für das Zählwerk

Der Zähler kann für Einsatzfälle unter schwierigen Umgebungsbedingungen mit einer externen Silikagelpatrone ausgestattet werden. Um eine neue Patrone einzusetzen, bitte die verbrauchte Patrone herausrauben, Schutzkappe der neuen Patrone entfernen und im Zählerkopf einschrauben.

5 Inbetriebnahme

5.1 Allgemein

Die Vorgehensweise für die Inbetriebnahme hängt immer von der Installationskonfiguration ab. Vor dem Druckaufbau des Messgerätes sollten die Hinweise zur Schmierung (Punkt 3.3) unbedingt beachtet werden. Druckaufbau oder Druckentlastung sollten mit geringer Druckänderungsgeschwindigkeit durchgeführt werden. Die Druckänderungsgeschwindigkeit darf nicht 0,3 bar/5 P.S.I. pro Sekunde überschreiten.

Nach der Inbetriebnahme überprüfen Sie bitte die Dichtheit der Installation.

Die korrekte Installation und die Funktion des Messinstruments kann überprüft werden, indem der Zählwerksfortschritt beobachtet wird (gleichmäßige kontinuierliche Bewegung der Zählwerksrollen) und durch Messung des Druckverlustes während dem Betrieb über den „Pete's Plugs“ (Druckverlustmessung bis zu einem Betriebsdruck von 20 bar möglich)

5.2 Installation mit Bypass: Siehe Anlage 6

INBETRIEBNAHME:

Zu Beginn sind alle Ventile geschlossen.

- Langsam das Ventil öffnen, um die Rohrleitung stromabwärts unter Druck zu setzen.
- Ist der Druck stromabwärts ausgeglichen, langsam das kleine Ventil V1 stromaufwärts öffnen.
- Die Druckänderungsgeschwindigkeit darf 0,3 bar pro Sekunde nicht überschreiten.
- Ist der Druck im Messgerät ausgeglichen, langsam das Hauptventil stromaufwärts öffnen und dann V1 schließen.
- Langsam das Ventil stromabwärts öffnen und prüfen, ob das Messgerät beginnt, den Fluss zu messen.
- Allmählich das Bypass-Ventil schließen. Prüfen, ob der Maximaldurchfluss die Kapazität des Messgerätes nicht überschreitet.

ABSCHALTEN:

- Langsam das Bypass-Ventil öffnen und dann die Ventile stromaufwärts und stromabwärts an der Messgerätleitung schließen.
- Vorsichtig das kleine Entlüfterventil V2 öffnen und das Messgerät druckentlasten. Die Druckänderungsgeschwindigkeit darf 0,3 bar pro Sekunde nicht überschreiten.
- Da sich nach dem Abschalten immer noch Gas im Zähler befindet, ist unbedingt für eine ausreichende Belüftung des Installationsortes zu sorgen.

5.3 Installation ohne Bypass: Siehe Anlage 7

INBETRIEBNAHME:

Zu Beginn sind alle Ventile geschlossen.

- Langsam das Ventil stromaufwärts öffnen, um

die Messgerätleitung unter Druck zu setzen. Die Druckänderung darf 0,3 bar pro Sekunde nicht überschreiten. Ist der Druck ausgeglichen, das Ventil stromaufwärts vollständig öffnen.

- Langsam das Ventil stromabwärts öffnen. Das Ventil sollte ein kleines Stück geöffnet werden, um folgendes zu gewährleisten:
 - Den Druckaufbau in der Leitung vor dem Messgerät.
 - Eine niedrige Durchflussrate im Messgerät während des Druckaufbaus stromabwärts (ca. 5% von Q_{max}).Ist der Druck vor und hinter dem Zähler ausgeglichen, kann das Ventil stromabwärts vollständig geöffnet werden.

ABSCHALTEN:

- Sehr langsam das Ventil stromabwärts schließen und prüfen, ob der Zähler keine Messung mehr vornimmt.
- Das Ventil stromaufwärts schließen.
- Langsam das kleine Entlüfterventil V2 öffnen. Die Druckänderungsgeschwindigkeit darf 0,3 bar pro Sekunde nicht überschreiten.
- Da sich nach dem Abschalten immer noch Gas im Zähler befindet, ist unbedingt für eine ausreichende Belüftung des Installationsortes zu sorgen.

5.4 Messgeräte nach einem Regler

Die Installation muss in Übereinstimmung mit dem technischen Handbuch des spezifischen Reglers erfolgen. Während dem Druckaufbau und der Druckentlastung ist sicherzustellen, dass die Druckänderung 0,3 bar pro Sekunde nicht überschreitet.

6 Wartung

6.1 Wartung des Messgerätes

Nach der Inbetriebnahme bedarf das Messgerät keiner besonderen Wartung, außer einer regelmäßigen Prüfung oder einem Wechsel des Schmiermittels in den Ölkammern.

Nach erfolgter Inbetriebnahme:

Erdgas: Nach einigen Tagen Betriebszeit sollte der Schmiermittelpegel überprüft werden. Andere Gase: Nach einer Betriebszeit von 100 Stunden seit Inbetriebnahme sollte der Schmiermittelpegel geprüft werden. Sollte der Schmiermittelstand merkbar niedrig, das Schmiermittel emulsiert sein oder eine chemische Reaktion zwischen Schmiermittel und Gas stattfinden, muss das Schmiermittel gereinigt und ggf. gewechselt werden.

Regelmäßiger Wechsel des Schmiermittels: Die Intervalle für Überprüfungen und Wechsel von Schmiermitteln hängen von den Betriebsbedingungen ab (Druckänderung, Durchflussrate etc.). Erdgas: Unter normalen Bedingungen sollte das Schmiermittel alle 5 bis 8 Jahre gewechselt werden. Für Gase mit höchster Reinheit kann das Intervall verlängert werden.

Andere Gase: Bitte uns kontaktieren.

Nur alkohol- und lösungsmittelfreies Reinigungsmittel verwenden. Öffnung und Reparatur darf nur durch qualifiziertes Personal erfolgen. Nach Öffnung des Gerätes muss ein Dichtheitstest mit $1,1 \times P_S$ (P_{max}) durchgeführt werden.

Bei Betrieb in feuchtem Gas muss das Messgerät in regelmäßigen Abständen auf innere und äußere Korrosion hin überprüft werden.

Ersatzteile:

Zur Reparatur dürfen nur PED-konforme Materialien verwendet werden.

6.2 Wartung der optionalen Ausrüstung

6.2.1 RK und HF Impulsgeber

Diese Impulsgeber benötigen keine besondere Wartung. Die Funktion der Impulsgeber kann durch einen Vergleich des elektronischen Zählwerkstandes (ZMU) mit dem Zählwerkstand des Messgerätes geprüft werden..

6.2.2 Filter

Sollte eine Zunahme des Druckverlustes bemerkt werden, so muss der Filter geprüft und gereinigt/ ersetzt werden, bevor jegliche Wartungsarbeiten am Messgerät durchgeführt werden.

1	Caratteristiche	19
2	Imballo	19
	2.1 Immagazzinamento	19
	2.2 Movimentazione	19
3	Installazione	19
	3.1 Generalità	19
	3.2 Filtrazione	19
	3.3 Lubrificazione	20
	3.3.1 Generalità	20
	3.3.2 Scelta del lubrificante	20
	3.3.3 Capienza delle camere laterali	20
	3.3.4 Procedura di riempimento e di drenaggio	20
4	Accessori	20
	4.1 Accessori elettrici	20
	4.1.1 Emittitore d'impulsi a bassa frequenza (LF) (dotazione standard)	20
	4.1.2 Dispositivo antifrode	20
	4.1.3 Emittitore di impulsi Cyble	20
	4.1.4 Emittitore di impulsi di alta frequenza (fornito in opzione)	20
	4.1.5 Valori degli impulsi degli emettitori d'impulsi LF (bassa frequenza) ed HF (alta frequenza): vedi allegato 1	21
	4.2 Essiccatore esterno	21
5	Avviamento	21
	5.1 Generalità	21
	5.2 Installazione con by-pass: vedi allegato 6	21
	5.3 Installazione senza by-pass: vedi allegato 7	21
	5.4 Contatori posizionati dopo un regolatore	21
6	Manutenzione	21
	6.1 Manutenzione del contatore	21
	6.2 Manutenzione dei dispositivi ausiliari	22
	6.2.1 Emettitori d'impulsi LF ed HF	22
	6.2.2 Filtro	22
7	Caratteristiche tecniche	28

Questo manuale deve essere reso facilmente accessibile a tutti gli utenti.

Nei casi non descritti in questo manuale di istruzioni, si prega di richiedere l'approvazione scritta del fabbricante. Per l'installazione, l'uso e la manutenzione dei contatori per il gas devono essere rispettate tutte le regole vigenti a livello nazionale.

Tutte le approvazioni sono valide solo finché non vengono apportate modifiche strutturali significative al dispositivo.

1 Caratteristiche:

I contatori a rotoidi Delta QD sono progettati per misurare i gas della prima, seconda e terza famiglia come descritto nelle norme EN 437, così come i gas di vario tipo filtrati, non infiammabili e non corrosivi. Caratteristiche generali: vedi allegato 1

2 Imballo

Il misuratore viene fornito in una scatola di carta rigida, protetta da inserti di cartone.

Nell'imballo saranno inclusi il lubrificante di riempimento, i connettori per gli emettitori d'impulsi installati e il presente manuale d'uso.

2.1 Immagazzinamento

Qualora il contatore non dovesse essere utilizzato immediatamente, si consiglia di conservarlo in un ambiente asciutto e pulito, in posizione orizzontale. L'entrata e l'uscita devono rimanere protette dall'apposita chiusura fino al momento dell'installazione.

2.2 Movimentazione

Il contatore viene fornito senza lubrificante nelle camere. Prima della spedizione o della movimentazione, assicurarsi che il lubrificante sia stato completamente drenato dalle camere anteriori al fine di evitare che ci siano infiltrazioni nella camera di misurazione.

3 Installazione

3.1 Generalità

Il contatore volumetrico Delta QD ha una metrologia che non è influenzata dalle condizioni d'installazione. Si raccomanda tuttavia il rispetto delle seguenti norme per garantire il perfetto funzionamento del vostro contatore Delta:

Installazione consigliata: vedi allegato 2.

- Verificare mediante ispezione visiva che il contatore non sia stato danneggiato durante il trasporto. Inoltre, la facilità di movimento del contatore deve essere verificata soffiando nel tubo immediatamente prima dell'installazione.
- Non è permesso effettuare saldature una volta che il contatore è stato installato.
- Il contatore dovrebbe essere installato con i rotori posti orizzontalmente. Deviazione ammessa: $\pm 5^\circ$.
- Non installare mai il contatore in un punto basso della tubazione, dove si potrebbero accumulare acqua o sporco.
- Quando viene utilizzato del nastro in Teflon per serrare i bulloni di fissaggio del contatore, prestare la massima attenzione affinché nessun residuo di nastro venga introdotto nella camera di misura.
- Il contatore dovrebbe essere installato senza creare tensioni nella tubazione. Le flange devono essere allineate correttamente.
- Si raccomanda l'utilizzo di un filtro, installato a monte del contatore, in presenza di gas con particolato. Vedi § 3.2

Prima dell'installazione:

- Assicurarsi che la tubazione a monte del contatore sia senza polvere.
- Rimuovere le calotte di protezione.
- Verificare che la direzione del flusso del gas coincida con la freccia posta sulla cassa del contatore.
- Assicurarsi che i pistoncini ruotino liberamente.
- Eventuali accessori montati sul contatore non devono compromettere la sua protezione dalla corrosione.
- Il misuratore è progettato per essere installato in una zona ATEX 0. Mentre all'interno della rete di tubazioni sono consentite solo composizioni di gas non infiammabili. Ciò può richiedere, per motivi ATEX, un'inertizzazione prima dell'uso iniziale con i gas di combustione. Lo stesso vale per la rimessa in servizio.

3.2 Filtrazione

I contatori a pistoncini rotanti funzionano meglio con un gas privo di particolato. Si consiglia pertanto di filtrare il gas a monte del contatore. Il livello di filtrazione consigliato è 100 μm o maggiore. Verificare periodicamente che il filtro sia pulito, durante il funzionamento del contatore, soprattutto nel caso in cui esso sia stato appena installato o siano state eseguite delle operazioni sulla tubazione a monte.

Per installazioni con direzione del gas dal basso verso l'alto, prendere le opportune precauzioni per evitare che l'eventuale accumulo di sporco a valle del contatore ritorni all'interno dello stesso. A tale scopo un secondo filtro può essere installato a valle del contatore.

3.3 Lubrificazione

3.3.1 Generalità

Scegliere il lubrificante appropriato in base alle condizioni d'esercizio. È preferibile utilizzare un lubrificante neutro e non detergente. Importante:

- Una lubrificazione insufficiente può causare la prematura usura del contatore.
- Anche una lubrificazione eccessiva può essere fonte di problemi. Un'eccessiva quantità di lubrificante può intaccare la camera di misurazione, degradare la metrologia e causare danni ai cuscinetti e alle giranti a causa della miscela di lubrificante e impurità minori contenute nel gas.
- Drenare sempre i coperchi laterali prima di spostare il contatore.

3.3.2 Scelta del lubrificante

Viscosità: la viscosità è stata calcolata per garantire il funzionamento meccanico e metrologico del contatore.

Riferimenti commerciali: L'allegato 3 contiene un elenco di lubrificanti in commercio, adeguati per l'utilizzo con gas industriali, ad eccezione di ossigeno e alogeni. Si prega di consultarci per altri tipi di gas.


3.3.3 Capienza delle camere laterali:

Orizzontale = 10 ml; Verticale = 30 ml

3.3.4 Procedura di riempimento e di drenaggio

L'allegato 4 riporta la posizione dei tappi di riempimento, di drenaggio e delle spie. Le operazioni di riempimento e drenaggio devono essere eseguite a contatore installato sulla tubazione, ma non pressurizzato; con l'utilizzo delle "Pete's Plug" si può rabboccare il livello del lubrificante mentre il contatore è pressurizzato (fino a 20 bar). Vedi allegato 8.

Regolazione del livello dell'olio:

Caso generale: il livello è corretto quando è visibile al centro —  — della spia più bassa.

4 Accessori

4.1 Accessori elettrici

Guide per uso in atmosfere potenzialmente esplosive (ATEX):

- Tutti gli emettitori di impulsi possono essere collegati solo a circuiti a sicurezza intrinseca.
- Pulire il totalizzatore del contatore solo con un panno umido.
- In caso di utilizzo in zona ATEX 0, le parti in alluminio devono essere protette da urti o attriti con parti in

- acciaio arrugginito; tale protezione deve essere fatta in maniera adeguata per evitare generazioni di scintille
- Per la valutazione dei rischi da scariche atmosferiche il contatore deve essere considerato parte integrante dell'impianto.
- Per installazione, rimozione o riparazione del contatore in sito, possono essere utilizzati solamente attrezzi idonei per utilizzo in area con pericolo di esplosione.
- Il contatore non dovrà essere esposto a: fiamme, radiazione ionizzata ed ultrasuoni o forti campi elettromagnetici.
- Considerare la temperatura ambiente includendo anche possibili riscaldamenti aggiuntivi provenienti da altri dispositivi installati nelle immediate vicinanze del contatore.
- Occorre tenere conto dei connettori, della distanza tra i pin, delle distanze di dispersione e della rigidità dielettrica.

4.1.1 Emittitore d'impulsi a bassa frequenza (LF) (dotazione standard)

Il contatore viene solitamente fornito unitamente ad un doppio trasmettitore di uscita ad impulsi a bassa frequenza LF. L'emittitore LF è un interruttore reed secco ed è normalmente aperto. Per informazioni relative al collegamento, controllare la targhetta del contatore e l'allegato 5.

4.1.2 Dispositivo antifrode

I contatori sono forniti di serie con un interruttore antifrode in dotazione. Si tratta di un interruttore reed secco ed è normalmente chiuso. Per dettagli relativi al collegamento verificare la targhetta del contatore.

4.1.3 Emittitore di impulsi Cyble

L'emittitore di impulsi Cyble può essere installato sull'orologeria del contatore in qualsiasi momento, come indicato nell'allegato 5. Il sensore Cyble è un trasmettitore privo di rimbalzi. Permette di individuare anche un eventuale flusso inverso.

4.1.4 Emittitore di impulsi di alta frequenza (fornito in opzione)

Il contatore può essere consegnato con un trasmettitore o alta frequenza. Sono disponibili sensori induttivi, e la connessione è ad un tipo di circuito con input a Namur (EN 60947-5-6).

4.1.5 Valori degli impulsi degli emettitori d'impulsi LF (bassa frequenza), impulsi Cyble ed HF (alta frequenza): vedi allegato 1.

4.2 Essiccatore esterno

Il contatore può essere equipaggiato, in opzione, di una cartuccia silicagel esterna in caso di installazioni in ambienti difficili. Per sostituire la cartuccia, svitare la vecchia, rimuovere il tappo protettivo della nuova ed avvitata nel totalizzatore.

5 Avviamento

5.1 Generalità

La procedura di avvio dipende sempre dalla configurazione d'installazione.

Prima di pressurizzare il contatore, eseguire la procedura di lubrificazione. La pressurizzazione o la depressurizzazione dovrebbero avvenire in modo molto progressivo. La variazione di pressione non dovrebbe superare 0,3 bar/5 P.S.I. al secondo.

A procedura effettuata, è necessario verificare la tenuta dell'installazione.

L'installazione eseguita correttamente e il buon funzionamento del contatore possono essere verificati con un controllo visivo del totalizzatore (per verificare che il contatore stia funzionando correttamente) e misurando le perdite di carico tramite l'uso della Pete's plug che permette di eseguire la misura delle perdite di carico durante il funzionamento del contatore (fino a una pressione maxi di 20 bar).

Attenzione: per le avvertenze riguardanti la normativa ATEX vedi Par. 4 Accessori, Pag. 21.

5.2 Installazione con by-pass: vedi allegato 6

AVVIO:

- Partire con tutte le valvole chiuse.
- Aprire lentamente la valvola di by-pass per pressurizzare il tubo a valle.
- Quando la pressione a valle è stata compensata, aprire lentamente la piccola valvola a monte V1. La variazione di pressione non deve essere superiore a 0,3 bar al secondo.
- Quando la pressione è stata compensata nel contatore, aprire lentamente la valvola a monte principale e chiudere quindi la V1.
- Aprire gradualmente la valvola a valle e verificare che il contatore abbia cominciato a registrare il flusso.
- Chiudere gradualmente la valvola di bypass. Assicurarsi

che la portata del flusso non sia superiore alla massima del contatore.

FERMO:

- Aprire lentamente la valvola di by-pass e chiudere quindi le valvole a monte e a valle poste sulla linea del contatore.
- Aprire con prudenza la valvola di scarico piccola V2 e depressurizzare il contatore. La variazione di pressione non deve eccedere 0,3 bar al secondo.
- Del gas può essere ancora rimasto nel contatore e nel tubo, pertanto è richiesta una ventilazione adeguata.

5.3 Installazione senza by-pass: vedi allegato 7.

AVVIO:

Partire con tutte le valvole chiuse.

- Aprire leggermente la valvola a monte per pressurizzare la linea del contatore. La variazione di pressione non deve essere superiore a 0,3 bar al secondo. Quando la pressione è stata compensata, aprire completamente la valvola a monte.
- Aprire gradualmente la valvola a valle. La valvola dovrebbe essere aperta quanto basta per mantenere:
 - La pressione a monte nella linea del contatore.
 - Una bassa portata nel contatore durante la pressurizzazione a valle (circa il 5% di Qmax).

Quando la pressione a valle sarà stata compensata, la valvola a valle potrà essere aperta completamente.

FERMO:

- Chiudere molto lentamente la valvola a valle e assicurarsi che il contatore non stia più registrando.
- Chiudere la valvola a monte.
- Aprire gradualmente la valvola di scarico piccola V2. La variazione di pressione non deve superare 0,3 bar al secondo.
- Del gas può essere ancora rimasto nel contatore e nel tubo, pertanto è richiesta una ventilazione adeguata.

5.4 Contatori posizionati dopo un regolatore

L'installazione deve avvenire conformemente al manuale tecnico dello specifico regolatore. Durante la pressurizzazione e la depressurizzazione, verificare che la variazione di pressione non sia superiore a 0,3 bar al secondo.

6 Manutenzione

6.1 Manutenzione del contatore

Una volta installato, il contatore non necessita di particolare assistenza, ad eccezione di un controllo periodico o della sostituzione del lubrificante all'interno delle camere.

Dopo l'avviamento:

Gas naturale: verificare il livello del lubrificante dopo la manutenzione preliminare.

Altri tipi di gas: verificare il livello del lubrificante dopo un funzionamento pari a 100 ore dalla messa in esercizio.

Qualora il livello del lubrificante fosse particolarmente basso, il lubrificante risultasse emulsionato o si verificasse una reazione chimica tra il lubrificante e il gas, sarà necessario esaminare nuovamente il lubrificante e variarlo in relazione alle condizioni attuali.

Intervalli di lubrificazione: Il periodo che intercorre tra i controlli o i cambi del lubrificante varia in base alle condizioni d'esercizio (variazione della pressione, portata...).

Gas naturale: in condizioni normali, occorre cambiare il lubrificante ogni 5-8 anni. Per utilizzo con gas particolarmente pulito, questo periodo può essere anche superiore.

Altri tipi di gas: siamo a disposizione per ulteriori dettagli.

È vietato l'utilizzo di alcool o prodotti contenenti alcool per pulire il contatore.

Le riparazioni devono essere effettuate solo da personale qualificato.

Dopo ogni riparazione deve essere effettuata una prova di tenuta alla pressione di $1.1 \times PS$ (ovvero P_{max}).

Nel caso di utilizzo con gas umido, è necessario controllare regolarmente gli effetti dell'eventuale corrosione interna ed esterna, ed in caso di corrosione rilevante il contatore deve essere sostituito. Parti di ricambio:

In caso di sostituzione di parti normalmente in pressione, assicurarsi che siano usate parti di ricambio in conformità alla PED.

6.2 Manutenzione dei dispositivi ausiliari

6.2.1 Emettitori d'impulsi LF ed HF

Questi trasmettitori non necessitano di una manutenzione specifica. Il funzionamento dei trasmettitori può essere verificato confrontando l'indicatore elettronico con quello del contatore.

6.2.2 Filtro

Qualora si verificasse un aumento della caduta di pressione, è indispensabile controllare il filtro e pulirlo/sostituirlo prima di eseguire qualsiasi operazione di manutenzione al contatore.

1	Características.....	24
2	Embalaje.....	24
	2.1 Almacenamiento.....	24
	2.2 Manipulación.....	24
3	Instalación.....	24
	3.1 General.....	24
	3.2 Filtrado.....	24
	3.3 Lubricación.....	24
	3.3.1. General.....	24
	3.3.2 Elección del lubricante.....	25
	3.3.3 Capacidad de los carters de los extremos.....	25
	3.3.4 Procedimiento de llenado y vaciado.....	25
4	Accesorios.....	25
	4.1 Accesorios eléctricos.....	25
	4.1.1 Emisor de baja frecuencia.....	25
	4.1.2 Antifraude.....	25
	4.1.3 Emisor cyble.....	25
	4.1.4 Emisor de alta frecuencia (se suministra como opción).....	25
	4.1.5 Valores de pulso de los emisores de BF y AF : véase el anexo 1.....	26
	4.2 Cartucho del secador exterior.....	26
5	Puesta en servicio.....	26
	5.1 General.....	26
	5.2 Instalación con by-pass : véase el anexo 6.....	26
	5.3 Instalación sin by-pass : véase el anexo 7.....	26
	5.4 Contadores situados tras un regulador.....	26
6	Mantenimiento.....	26
	6.1 Mantenimiento del contador.....	26
	6.2 Mantenimiento del equipo opcional.....	27
	6.2.1 Emisores de BF y AF.....	27
	6.2.2 Filtro.....	27
7	Características.....	28

Mantenga este manual al alcance de los usuarios. Solicite la aprobación del fabricante para casos no mencionados en este manual. Por favor respete las leyes locales de instalación, operación y servicio para contadores de gas. Todas las aprobaciones son válidas únicamente mientras no se realicen cambios estructurales significativos en el equipo.

1 Características: véase el anexo 1

Los Contadores DELTA QD pueden emplearse para la medición de gases de la 1ª, 2ª y 3ª familia de gases conforme a EN 437 así como otros tipos de gases filtrados, no inflamables y no corrosivos.

2 Embalaje

El contador se entrega en una caja de cartón, protegida por insertos de cartón.

El embalaje podrá contener lubricante de llenado, conectores para los transmisores instalados y este manual de instrucciones.

2.1 Almacenamiento

Si no va a emplear el contador inmediatamente, deberá guardarlo en un lugar resguardado, limpio y seco, en posición horizontal.

Las tapas colocadas en las tuberías de entrada y salida deben permanecer en su sitio hasta la instalación.

2.2 Manipulación

El contador se entrega sin lubricante. Antes de transportarlo o manipularlo, asegúrese de que ha vaciado el lubricante de la carter anterior por completo, con el fin de prevenir que se derrame dentro de la cámara de medición.

3 Instalación

3.1 General

Debido al principio volumétrico de los contadores Delta, las condiciones de instalación no influyen en su metrología. Sin embargo, deben seguirse las siguientes recomendaciones para garantizar el mejor uso de su contador Delta QD.

Instalación recomendada: véase el anexo 2.

- Comprobar visualmente que el contador no ha sido dañado durante el transporte.
- Además, deberá comprobarse el correcto funcionamiento del contador soplando a través de la tubería inmediatamente antes de la instalación.

- No realizar soldaduras con el contador instalado.
- El contador debe instalarse con los pistones en posición horizontal. Desviación permitida: +/- 5°.
- Nunca instale un contador por debajo del nivel de la tubería, donde pueda sufrir acumulación de agua o de partículas.
- Si se usa cinta de teflón para garantizar la estanquidad de las uniones roscadas, poner mucha atención en que no se introduzcan trozos de la cinta en la cámara de medida.
- Debe instalar el contador en la tubería sin someterlo a tensiones.
- En el caso de emplear gases con alto contenido de partículas, se recomienda colocar un filtro delante del contador. Véase § 3.2.

Antes de la instalación:

- La tubería situada delante del contador debe estar limpia de polvo y partículas de soldadura.
- Retire las tapas protectoras.
- Asegúrese de que la dirección del flujo del gas coincide con la flecha situada en el cuerpo del contador.
- Compruebe que los pistones giran libremente.
- Los posibles accesorios que se monten en el contador no deben perjudicar su protección contra la corrosión.
- El contador está diseñado para ser instalado en una zona ATEX 0. Mientras que dentro de la red de tuberías sólo se permiten composiciones de gas no inflamables. Eso puede requerir por razones ATEX una inertización antes del uso inicial con gases de combustión. Lo mismo se aplica a la nueva puesta en servicio.

3.2 Filtrado

Los contadores de pistones rotativos trabajan mejor si el gas no contiene partículas. Por consiguiente, se recomienda filtrar el gas que se encuentra situado delante del contador. El nivel de filtrado recomendado es de 100 µm o superior. Mientras el contador esté en funcionamiento, compruebe periódicamente la limpieza del filtro, especialmente en el caso de una nueva instalación o tras la realización de trabajos en la tubería que se encuentra delante del contador.

Para instalaciones con dirección de flujo de abajo hacia arriba prestar especial atención a las condiciones de filtrado del gas para evitar que acumulación de polvo aguas abajo del contador pueda volver a introducirse en el contador. Por ejemplo, un segundo filtro se puede instalar en la salida del contador.

3.3 Lubricación

3.3.1. General

Elija el lubricante en función de las condiciones de funcionamiento. Este lubricante debe ser neutro y no detergente. Importante: • La falta de lubricante provoca un desgaste prematuro del contador.

- Un exceso de lubricante también puede provocar problemas. Puede contaminar la cámara de medición, degradar la metrología y provocar daños en los rodamientos y los pistones como consecuencia de la mezcla de lubricante y pequeñas impurezas contenidas en el gas.
- Antes de mover el contador, vacíe siempre los carteros de los extremos.

3.3.2 Elección del lubricante

Viscosidad: la viscosidad ha sido calculada para asegurar las prestaciones mecánicas y metrológicas del contador. Referencias comerciales: el anexo 3 contiene una lista de lubricantes comerciales que pueden ser utilizados con gas industrial, a excepción de gases como el oxígeno y los halógenos. En el caso de utilizar otros gases, por favor, consúltenos.


3.3.3 Capacidad de los carteros:

Horizontal = 10 ml; Vertical = 30 ml

3.3.4 Procedimiento de llenado y vaciado

Véase el anexo 4 para reconocer las tomas, visores de llenado y de vaciado.

Las operaciones de llenado y vaciado de aceite deberán ser realizadas con el contador instalado, pero despresurizado. Sin embargo, el uso de conectores Pete permite el llenado mientras el medidor está presurizado (hasta 20 bar). Ver Anexo 8. Ajustando el nivel de aceite:

Caso general: El nivel es correcto cuando el lubricante llega al centro —  — del visor.

4 Accesorios

4.1 Accesorios eléctricos

Consejos para manipulación en atmósferas potencialmente explosivas (ATEX):

- Los emisores de impulsos deberán conectarse a circuitos intrínsecamente seguros.
- Para limpiar el cabezal del contador utilizar, exclusivamente, un paño húmedo.
- Las partes de aluminio del medidor expuestas deben estar correctamente protegidas (utilizando pinturas especiales o barnices) debido a que una capa de óxido puede generarse por polvo presente en el ambiente.
- Cuando se utilicen en zona ATEX 0, las piezas de aluminio deben protegerse de los procesos de fricción o impacto por componentes de acero oxidado mediante una instalación adecuada para de esta manera evitar la generación de chispas.
- Debe tenerse en cuenta el contador para la evaluación

de la instalación completa, en cuanto a riesgo de rayos.

- Al instalar, quitar o reparar un contador en el área de uso, solo se podrán utilizar herramientas permitidas en áreas potencialmente explosivas.
- El contador no deberá estar expuesto a: Fuego, radiación ionizada y ultrasonido. ó a campos electromagnéticos pulsantes.
- Deben considerarse las condiciones de temperatura ambiente, y también el posible efecto de un sobrecalentamiento debido a la presencia de otros dispositivos cercanos.
- Deberá considerarse la distancia de aire, distancia de fuga y la rigidez dieléctrica.

4.1.1 Emisor de baja frecuencia

Normalmente, el contador se suministra con uno/ dos emisores de salida de pulsos de baja frecuencia. El emisor de baja frecuencia es un contacto por relé libre de potencial encapsulado normalmente abierto. Lea la placa de características del contador y el anexo 5 para obtener información sobre las conexiones.

4.1.2 Antifraude

Los Contadores DELTA se suministran con emisor antifraude de estándar. Se trata de un contacto por relé libre de potencial encapsulado normalmente cerrado. Véase la placa de características del contador para conocer los detalles de la conexión.

4.1.3 Emisor Cyble

El Emisor Cyble puede instalarse en cualquier momento sobre el totalizador, ver anexo 5. El Emisor Cyble es un emisor de pulsos sin rebotes, pudiendo tener en cuenta los caudales inversos eventualmente.

4.1.4 Emisor de alta frecuencia

(se suministra como opción)

El contador puede suministrarse con un emisor de alta frecuencia. Se trata de un sensor inductivo y su conexión se realiza a un circuito de entrada tipo NAMUR (EN 60947-5-6).

4.1.5 Valores de pulso de los emisores de BF, captor Cyble y AF: véase el anexo 1

4.2 Cartucho del secador exterior

El contador se puede equipar con un cartucho externo de silicagel para su instalación en condiciones extremas. Para remplazar el cartucho, desatornille el cartucho viejo, quite el tapón protector del nuevo cartucho y atorníllelo en el totalizador.

5 Puesta en servicio

5.1 General

El procedimiento de inicio depende siempre de la configuración de la instalación.

Antes de presurizar el contador, debe seguirse el procedimiento de lubricación. La presurización o despresurización debe llevarse a cabo con variaciones de presión muy bajas. La variación de presión no debe superar los 0,3 bar/5 psi por segundo. Luego de la puesta en marcha, comprobar la integridad de la instalación.

La correcta instalación y el buen funcionamiento del contador, puede verificarse por un control visual del totalizador (al comprobar que el contador gira correctamente), así mismo, por la medición de la pérdida de carga del contador en funcionamiento.

5.2 Instalación con by-pass: véase el anexo 6

INICIO:

Cerrar todas las válvulas.

- Abrir suavemente la válvula de by-pass para presurizar el tramo de tubería situada en el tramo inferior.
- Cuando la presión de la parte inferior esté equilibrada, abrir suavemente la pequeña válvula V1 que está situada por encima del contador. La variación de presión no debe superar los 0,3 bar por segundo.
- Cuando la presión en el contador esté equilibrada, abrir suavemente la válvula principal que se encuentra encima y después cerrar V1.
- Abrir lentamente la válvula que se encuentra por debajo del contador y comprobar que el contador empieza a registrar el flujo.
- Gradualmente, cerrar la válvula de bypass. Comprobar que la medida del caudal no supera la capacidad del contador.

PARADA :

- Abrir lentamente la válvula by-pass y, a continuación, cerrar las válvulas superior e inferior de la línea del contador.
- Abrir con cuidado la pequeña válvula de purga V2 y despresurizar el contador. La variación de presión no debe superar los 0,3 bar por segundo. Cierta cantidad de gas podría quedar atrapada en el contador o en la tubería, por lo que se recomienda ventilación adecuada.

5.3 Instalación sin by-pass : véase el anexo 7

INICIO :

Cerrar todas las válvulas.

- Abrir lentamente la válvula superior para presurizar la línea del contador. La variación de presión no debe superar los 0,3 bar por segundo. Cuando la presión se haya estabilizado, abrir por completo la válvula superior.
- Abrir lentamente la válvula inferior. Se debe abrir la válvula ligeramente para mantener :

- La presión del tramo superior de la línea del contador.
- Una medida del caudal baja en el contador durante la presurización en el tramo inferior del contador (aprox. 5% Q_{máx}).
- Una vez que la presión del tramo situado por debajo del contador se haya equilibrado, se podrá abrir por completo la válvula situada en el tramo inferior

PARADA :

- Cerrar muy lentamente la válvula inferior y comprobar que el contador no realiza más registros.
- Cerrar la válvula superior.
- Abrir lentamente la pequeña válvula de purga V2. La variación de presión no debe superar los 0,3 bar por segundo.
- Cierta cantidad de gas podría quedar atrapada en el contador o en la tubería, por lo que se recomienda ventilación adecuada.

5.4 Contadores situados tras un regulador

La instalación debe realizarse según las indicaciones del manual técnico del regulador específico. Durante la presurización y la despresurización, asegúrese de que la variación de la presión no exceda los 0,3 bar por segundo.

6 Mantenimiento

6.1 Mantenimiento del contador

Una vez instalado, el contador no requiere ninguna atención específica, excepto una comprobación periódica o cambio del lubricante contenido en los carters.

Después de la puesta en servicio:

Gas natural: tras finalizar la duración preliminar del servicio, debe comprobarse el nivel de lubricante. Otros gases: transcurrido un período de trabajo de 100 horas desde la puesta en servicio, debe comprobarse el nivel de lubricante.

Si el nivel de lubricante estuviese bajo, emulsionado o se hubiese producido una reacción química entre el lubricante y el gas, el lubricante deberá ser analizado y sustituido para que se ajuste a las condiciones predominantes.

Cambio periódico del lubricante: El período entre comprobaciones o cambios de lubricante depende de las condiciones de funcionamiento (variación de la presión, medida del caudal...).

Gas natural: en condiciones normales, el lubricante debe sustituirse cada 5 a 8 años. Cuando el contador es utilizado con gas extremadamente limpio, este período puede ser extendido.

Otros gases: por favor, consúltenos.

Utilice productos sin alcohol para limpiar el contador.

Reparaciones deben realizarse solo por personal calificado. Luego de la reparación, es necesario realizar una prueba de estanqueidad con 1.1 x PS (P_{max}).

Si se utiliza el contador con gas húmedo, el efecto de

corrosión tanto interno como externo debe ser comprobado de forma regular y en caso de corrosión severa, el contador deberá ser re-emplazado. Piezas de recambio: Al cambiar piezas que estén expuestas a la presión, comprobar que cumplan con la Directiva PED.

6.2 Mantenimiento del equipo opcional

6.2.1 Emisores de BF y AF

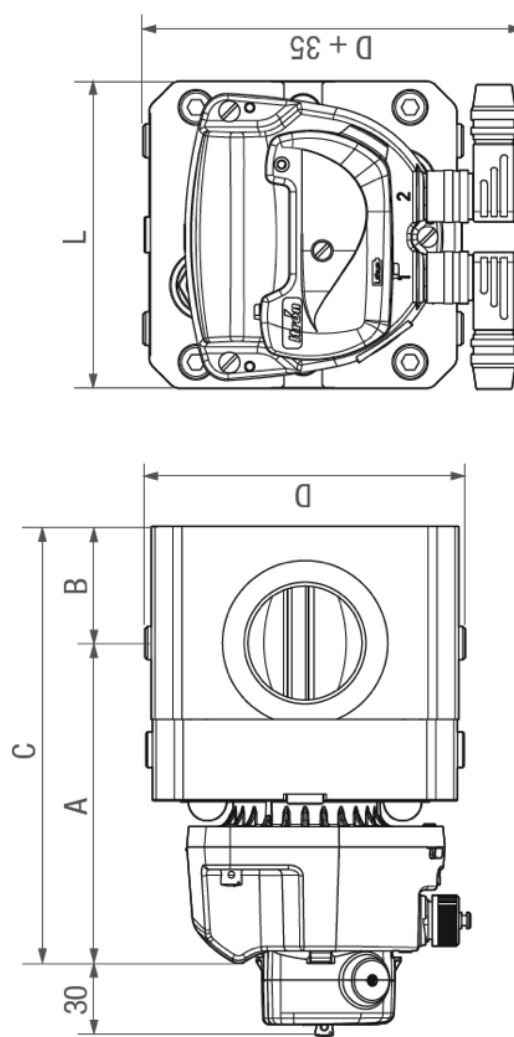
Estos emisores no requieren ningún mantenimiento especial. La función de los emisores puede comprobarse comparando el índice electrónico con el índice del contador.

6.2.2 Filtro

Si apreciara una pérdida de presión, deberá comprobar el filtro y limpiarlo / sustituirlo antes de realizar cualquier operación de mantenimiento en el contador.

Annex 1: Characteristics / Caractéristiques / Características / Technische Daten / Caratteristiche tecniche / Características

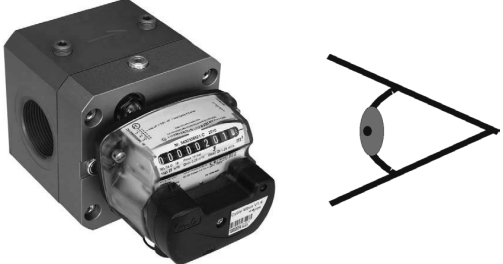
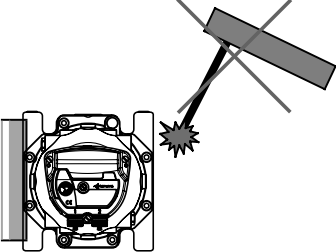
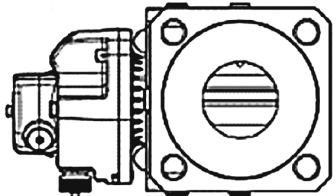
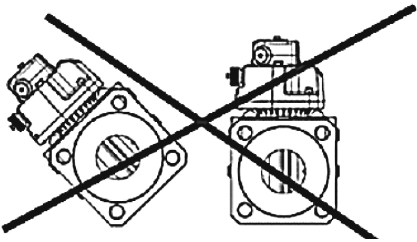
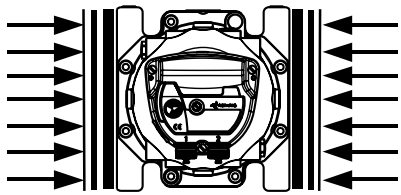
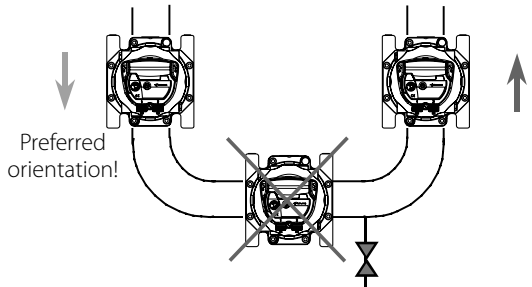
Model	Freq max LF (Hz)	1 pulse HF (dm3/pulse)	Freq max HF (Hz)	Weight (Kg)	A (mm)	B (mm)	C (mm)	D (mm)	L (mm)
QD25	0.69	0.218	31.8	4	126	46	172	126	121
QD60	0.67	0.218	76.4	4	126	46	172	126	121



Annex 0: Applied standards for use in explosion hazardous areas /Normes appliquées pour l'utilisation dans les zones à risque d'explosion/Angewandte Normen für den Einsatz in explosionsgefährdeten Bereichen/Standard applicati per l'utilizzo in aree a rischio di esplosione/Normas aplicadas para el uso en zonas con peligro de explosión

- EN IEC 60079-0:2018; IEC 60079-0 Edition 7; BS EN IEC 60079-0:2018
- EN 60079-11:2012; IEC 60079-11 Edition 6; BS EN 60079-11:2012
- EN ISO 80079-36:2016; ISO 80079-36 Edition 1; BS EN ISO 80079-36:2016
- EN ISO 80079-37:2016; ISO 80079 Edition 1; BS EN ISO 80079-37:2016

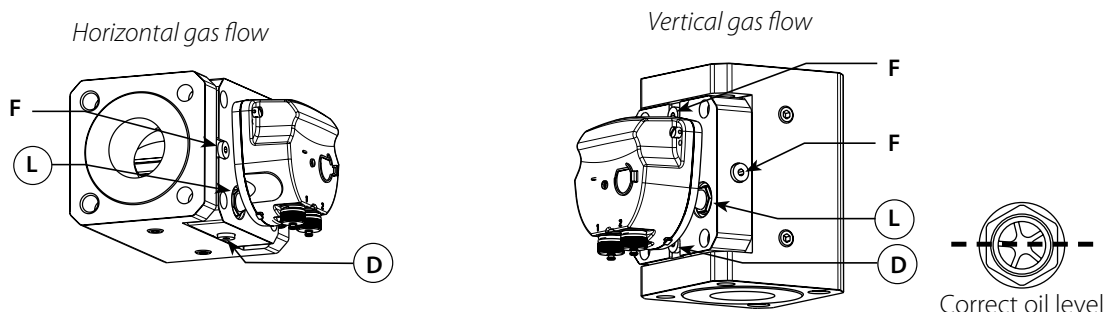
Annex 2: Recommended installation / Installation recommandée / Empfohlene Installation / Installazione raccomandata / Instalaciones recomendadas

<p>Visual inspection at reception</p> 	<p>No welding with installed meter</p> 
<p style="text-align: center;">Impellers must be horizontal</p> <div style="display: flex; justify-content: space-around;"> <div data-bbox="292 608 625 860"> <p>YES / OUI / JA</p>  </div> <div data-bbox="909 608 1323 883"> <p>NO / NON / NEIN</p>  </div> </div>	
<p>Tension free installation</p> 	<p>No installation at a low point in the network</p> 

Annex 3: Commercial reference / Références commerciales / Kommerzielle Referenzen / Referenze commerciali / Marcas de Lubrificantes

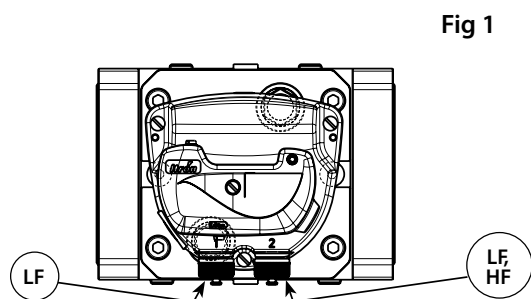
- Shell Tellus T15
- Shell Morlina 10
- Oest V3136L (lubricant delivered with each meter, commercial name: Maxilub VG10)

Annex 4: Lubricant filling / Remplissage du lubrifiant / Schmiermittelbefüllung / Carica del lubrificante / Llenado del lubrificante

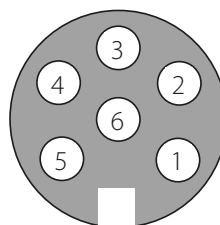


- F: Filling / Remplissage / Füllen / Riempimento / Relleno
 L: Level / Niveau / Pegel / Livello / Nivel
 D: Draining / Vidange / Ablassen / Svuotamento / Vaciar

Annex 5: Transmitters / Emetteurs / Polung der Anschlüsse / Emettitori d'impulsi / Emisores



Binder plug 6 pins (LF, HF) Fig 2
(Rear view of the plug)



For the Binder Plug 6 Pins dimensions, creepage distance and clearance constraint see document 652-099-8043.

Unless on the nameplate noted the following electrical parameters shall be considered:

Characteristics	Low Frequency Transmitter (reed contact)		High & Medium Frequency Transmitter (inductive)
	For Non ATEX products	For ATEX products ** intrinsically safe circuits	For ATEX products *** intrinsically safe circuits
Power rating	Max. 10 W	Max. 120 mW	Max. 64 mW
Voltage (Break-down)	Max. 180 V dc	Max. 15 V dc	Max. 15 V dc
Current (Switching)	Max. 50 mA	Max. 50 mA	Max. 50 mA
Capacitance and Inductance	C=0F, L=0H	C=0F, L=0H	C= 90nF, L = 250 μH
Operation temperature range	-30°C to +60°C	-30°C to +60°C	-30°C to +60°C

** Following recommend values Low Frequency Pulse Transmitters do not have any potential sources of ignition and shall be not marked according to directive 2014/34/EU.

The device is free to be used in ATEX area as it is a simple apparatus.

*** Proximity detectors conform to EN60947-5-6 (NAMUR) standard.

Characteristics	Low Frequency Transmitter (Cyble Module)
Contact power rating	Max. 1 W
Voltage (Break-down)	Max. 14.3 V dc
Current (Switching)	Max. 50 mA
Operation temperature range	-25°C to +55°C

Installation of the Cyble sensor

1) Mounting



2) Screwing (Max torque: 0,25Nm)

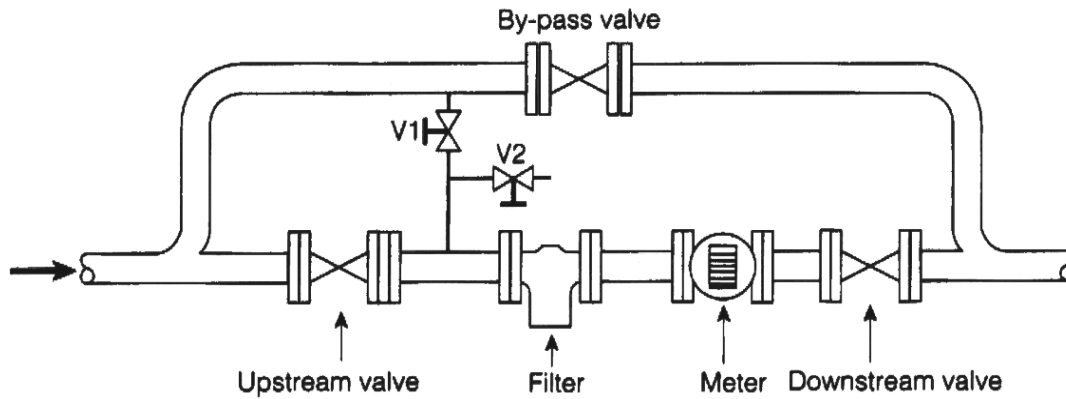


3) Sealing

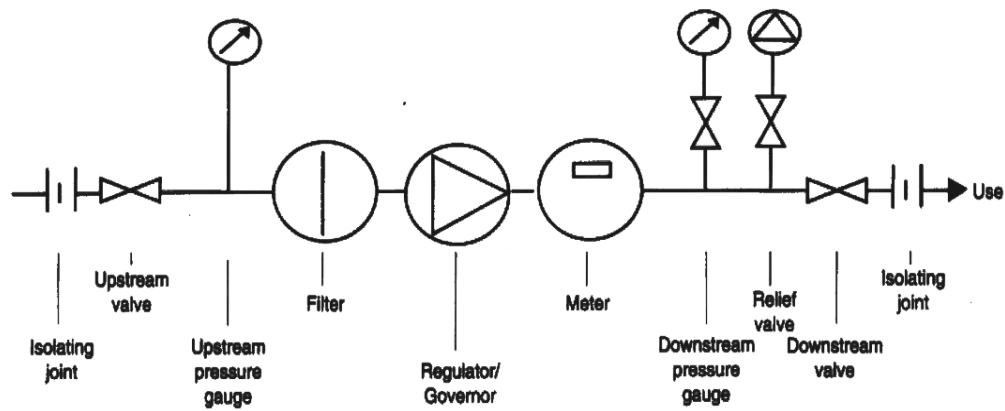


Note: For the plugging of the LF, HF and anti-tampering, please report to the name plate of the meter.

Annex 6: Installation with by pass / Installation avec bipasse / Installation mit Bypass / Installazione con by-pass / Instalación con by-pass



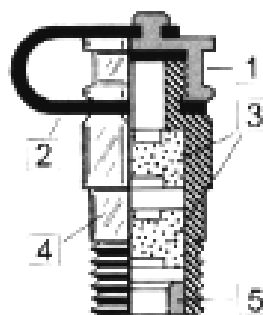
Annex 7: Installation without by pass / Installation sans bipasse / Installation ohne Bypass / Installazione senza by-pass / Instalación sin by-pass



Annex 8: Pete's plug option / Option Pete's plug / Pete's Steckeroption / Opzione "Pete's Plug" / Pete's plug optie

Cross section

- 1 - Cap and gasket
- 2 - Cap retaining strap
- 3 - Two self closing valves with interaction to speed valve closure
- 4 - Valve body
- 5 - Valve retainer



Dresser Utility Solutions GmbH

Hardeckstr. 2
76185 Karlsruhe
T: +49 (0)721 / 5981 - 100
info.karlsruhe@dresserutility.com



© 2024 Dresser Utility Solutions GmbH – All rights reserved. Dresser Utility Solutions reserves the right to make changes in specifications and features shown herein, or discontinue the product described at any time without notice or obligation. Contact your Dresser Utility Solutions representative for the most current information. The Dresser Logo and all Trademarks containing the term "Dresser" are the property of Dresser, LLC, a subsidiary of Baker Hughes. Actaris™ is a trademark owned by Itron, Inc. and used under license.