



## MZ

002-099-4115

AH

**Instruction manual**  
**Mode d'emploi**  
**Betriebsanleitung**  
**Istruzioni d'uso**  
**Manual de instrucciones**  
**Installatie voorschrift**  
**Návod k obsluze**

EN	FR	DE	ES	IT	PT	HU
EU DECLARATION OF CONFORMITY	DECLARATION UE DE CONFORMITE	EU KONFORMITÄTS-ERKLÄRUNG	DECLARACIÓN UE DE CONFORMIDAD	DICHIARAZIONE DI CONFORMITÀ UE	DECLARAÇÃO UE DE CONFORMIDADE	EU-MEGFELELŐSÉGI NYILATKOZAT

**Type Designation**

**Gas Meter: Turbine gas meter**

Name and address of the manufacturer	Nom et adresse du fabricant	Name und Anschrift des Herstellers	Nombre y dirección del fabricante	Nome ed indirizzo del fabbricante	Nome e endereço do fabricante	A gyártó neve és címe
--------------------------------------	-----------------------------	------------------------------------	-----------------------------------	-----------------------------------	-------------------------------	-----------------------

**Dresser Utility Solutions GmbH, Hardeckstraße 2, 76185 Karlsruhe, Germany**

This declaration of conformity is issued under the sole responsibility of the manufacturer.	La présente déclaration de conformité est établie sous la seule responsabilité du fabricant.	Die alleinige Verantwortung für die Ausstellung dieser Konformitätserklärung trägt der Hersteller.	La presente declaración de conformidad se expide bajo la exclusiva responsabilidad del fabricante.	La presente dichiarazione di conformità è rilasciata sotto la responsabilità esclusiva del fabbricante.	A presente declaração de conformidade é emitida sob a exclusiva responsabilidade do fabricante.	Ezt a megfelelőségi nyilatkozatot a gyártó kizárólagos felelőssége mellett adják ki.
Object of the declaration	Objet de la déclaration	Gegenstand der Erklärung	Objeto de la declaración	Oggetto della dichiarazione	Objecto da declaração	A nyilatkozat tárgya

**MZ / MTZ**

The object of the declaration described above is in conformity with the relevant Union harmonization legislation and the corresponding harmonized standards	L'objet de la déclaration décrit ci-dessus est conforme à la législation communautaire d'harmonisation applicable ainsi qu'aux normes harmonisées associées	Der oben beschriebene Gegenstand der Erklärung erfüllt die einschlägigen Harmonisierungsrechtsvorschriften der Gemeinschaft und den entsprechenden harmonisierten Normen	El objeto de la declaración descrita anteriormente es conforme a la legislación comunitaria de armonización pertinente y las normas armonizadas correspondientes	L'oggetto della dichiarazione di cui sopra è conforme alla pertinente normativa comunitaria di armonizzazione e alle corrispondenti norme armonizzate	O objecto da declaração acima mencionada está em conformidade com a legislação comunitária aplicável em matéria de harmonização e as correspondentes normas harmonizadas	A fent leírt nyilatkozat tárgya összhangban van a vonatkozó uniós harmonizációs jogszabályokkal és a megfelelő harmonizált szabványokkal
---	---	--	--	---	--	--

<b>2014/68/EU (PED)</b> - EN 12261:2002+A1:2006 The used fluids are classified in group 1 according to article 13.		OJ L 189, Page 164, 27.04.2014	<b>(Category IV)</b>			
<b>2014/34/EU (ATEX)</b> -EN IEC 60079-0:2018 -EN 60079-11:2012 -EN ISO 80079-36:2016 -EN ISO 80079-37:2016		OJ L 96, Page 309, 29.03.2014				
<b>2014/30/EU (EMC)</b> -EN60947-5-6:2000 -EN 60947-5-2:2007/A1:2012 -EN IEC 60947-5-2:2020		OJ L 96, Page 79, 29.03.2014				
<b>2011/65/EU (RoHS) updated delegated Directive 2015/863/EU</b> -EN IEC 63000: 2018			OJ L 137, Page 10, 04.06.2015			

Certificates issued by the notified body	Certificats délivrés par l'organisme notifié	von der notifizierten Stelle ausgestellte Bescheinigungen	Certificados emitidos por el organismo notificado	Certificati rilasciati dall'organismo notificato	Certificados emitidos pelo organismo notificado	bejelentett szervezet által kiállított igazolások
--	--	---	---	--	---	---

<b>PED</b>	Modul B - Type approval Modul D	DVGW CERT GmbH (CE 0085), Josef-Wirmer-Str. 1-3 D-53123 Bonn TÜV SÜD Industrie Service GmbH (CE 0036); Westendstr. 199, D-80686 München				
<b>ATEX</b>	Module B - Type approval Modul D	Bureau Vertias Consumer Services Deutschland GmbH (CE 2004), Businesspark A96, D-86842 Türkheim TÜV SÜD Product Service GmbH (CE 0123), Ridlerstr. 65 D-80339 München				

Place and date of issue	Date et lieu d'établissement	Ort und Datum der Ausstellung	Lugar y fecha de expedición	Luogo e data del rilascio	Local e data da emissão	Kiállítás helye és dátuma
-------------------------	------------------------------	-------------------------------	-----------------------------	---------------------------	-------------------------	---------------------------

**Karlsruhe, 18.06.2024**

Name, Function, Signature	Nom, Fonction, Signature	Name, Funktion, Unterschrift	Nombre, Cargo, Firma	Nome e cognome, Funzione, Firma	Nome, Cargo, Assinatura	Név, beosztás, aláírás
---------------------------	--------------------------	------------------------------	----------------------	---------------------------------	-------------------------	------------------------

S. Corbière  
Quality Manager



RO	NL	TR	KOR
DECLARAȚIA UE DE CONFORMITATE	EU VERKLARING VAN OVEREENSTEMMING	AB UYGUNLUK BEYANI	EU 적합성 선언

Numele și adresa producătorului	Naam en adres van de fabrikant	Üretici firmanın adı ve adresi	제조업체의 이름과 주소
---------------------------------	--------------------------------	--------------------------------	--------------

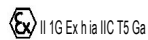
Această declarație de conformitate este emisă sub responsabilitatea exclusivă a producătorului.	Deze conformiteitsverklaring wordt verstrekt onder de verantwoordelijkheid van de fabrikant.	Bu uygunluk beyanı, tamamen üreticinin sorumluluğu altında düzenlenmiştir.	이 적합성 선언은 전적으로 제조업체의 책임하에 발행됩니다.
---	--	--	----------------------------------

Obiectul declarației	Onderwerp van de verklaring	Beyannamenin amacı	선언의 대상
----------------------	-----------------------------	--------------------	--------

Obiectul declarației descrise mai sus este în conformitate cu legislația relevantă de armonizare a Uniunii și cu standardele armonizate corespunzătoare	Het onderwerp van de hierboven beschreven verklaring is in overeenstemming met de relevante harmonisatiewetgeving van de Unie en de overeenkomstige geharmoniseerde normen	Yukarıda açıklanan beyannamenin amacı, ilgili Birlik uyumlaştırma mevzuatına ve ilgili uyumlaştırılmış standartlara uygundur.	위에 설명된 선언의 목적은 관련 연합의 일치된 법규 및 일치된 해당 표준을 준수하는 것입니다.
---	--	---	--

Certificate emise de organismul acreditat	Certificaten afgegeven door de aangemelde instantie	onaylanmış kuruluş tarafından verilen sertifikalar	해당되는 경우, 인증 기관에서 발급한 인증서
---	---	--	--------------------------

DVGW CE-0085BS5061  
DGR-0036-QS-955-23  
EPS 22 ATEX 1 269 X  
TPS 24 ATEX Q 070229 0011



Locul și data emiterii	Plaats en datum van uitgifte	Yayın Yeri ve tarihi	발행 장소 및 날짜
------------------------	------------------------------	----------------------	------------

Nume, funcție, semnătură	Naam, functie, handtekening	İsim, Fonksiyon, İmza	이름, 기능, 서명
--------------------------	-----------------------------	-----------------------	------------

1	Characteristics .....	5
2	Packing of the MZ.....	5
	2.1 Packing .....	5
	2.2 Storage .....	5
	2.3 Handling .....	5
3	Installation .....	5
	3.1 General recommendations.....	5
	3.2 Recommended Installation.....	5
	3.3 Start up .....	5
	3.3.1 Installation with an upstream valve .....	5
	3.3.2 Installation with upstream and downstream valves .....	5
	3.3.3 Installation with a by-pass .....	6
4	Transmitters .....	6
5	Maintenance .....	6
	5.1 Lubrication.....	6
	5.2 External silicagel cartridge.....	6
	5.3 Inspection and repair.....	7
6	Annex .....	28

Keep this manual easily accessible for all users. Please respect all national rules for installation, operation and service of gas meters.

All approvals are only valid as long as no significant structural changes are made to the device.

## 1 Characteristics

Turbines gas meters are flow meters, designed to measure various not ignition-capable and noncorrosive gases. The flow of gas turns a turbine wheel and the rotating speed of the turbine is proportional to the linear speed of the gas. The movement is mechanically transmitted to the totaliser through the magnetic coupling. Detailed characteristics are given in Annex 1

## 2 Packing of the MZ

### 2.1 Packing

The meter, depending on the size is delivered in an individual carton box or on a wood pallet. The packaging contains the plugs for the installed transmitters and the lubricant when an oil pump is installed.

### 2.2 Storage

If the meter is not going to be used immediately, it should be stored under cover in a clean, dry environment. The caps fitted at the inlet and the outlet pipe must stay in place until installation. Storing temperature: -40 °C to +70°C.

### 2.3 Handling

Meters should be handled with care. They must be lifted only with belts around the main body or on the eyelets.

## 3 Installation

### 3.1 General recommendations:

See Annex 2 and PED information in Annex 6

- The standard MZ is designed for use with clean and non-aggressive gases. For use with aggressive gases please contact Dresser Utility Solutions for special versions.
- The meter is designed to be installed in an ATEX zone 0. Whereas inside the pipe network only not ignitable gas compositions are allowed. That may require for ATEX reasons an inertization prior the initial use with combustion gases. Same applies to recommissioning.
- If the meter is equipped with an oil pump, turn oil tank according to the installation position.
- (1) Before installation, check visually that the meter has not been damaged during transport. Additionally, ensure the meter operates correctly by blowing on the turbine wheel, ensuring it rotates easily without any restriction.

- (2) Do NOT weld pipework with a meter installed.
- (3) The meter should be installed without stress in the pipework. The flanges must be correctly lined up. The tightening torque of the bolts must not exceed (Nm):

M16	M20
85	170

Please tighten bolts in opposite pairs.

- (4) To ensure accuracy, The meter has to be installed with an inlet straight pipe of 3 DN minimum.
- (5) Transmitters connection: Gas Meters are often installed in areas where there is a risk that Gas will be present. Therefore, electrical connections to meters need to be made with consideration of the use of Ex marked equipment or otherwise approved circuits. For plug assignment and pulse values refer to the main name plate.
- (6) Dirt particles may damage the turbine wheel therefore the use of starting sieve and filter are recommended.
- (7) Pressure pulses must be avoided during starting and operating to preserve the turbine wheel. To prevent damage during starting, increase the pressure slowly at less than 0,3 bar per second.

### 3.2 Recommended installation

Turbine meters are flow meters therefore their metrology can be affected by disturbances existing in the flow of gas.

The best accuracy is achieved by respecting the following rules:

- Use preferably elbow pieces with large radius (> 5 DN) to be installed at the inlet of the meter.
- For diameter variations, use preferably concentric convergent and divergent pieces; sudden changes must be avoided.
- Obstacles such as thermowells must not protrude in the pipe within 2 DN upstream of the meter. Gaskets should be correctly centred between the flanges and not protrude into the pipe.

### 3.3 Start up

#### 3.3.1 Installation with an upstream valve

Open the valve very slowly until the meter starts to operate. Increase slowly the pressure in the downstream pipe (max. 0,3 bar/second). When the downstream pressure is stabilised, open the valve completely.

#### 3.3.2 Installation with upstream and downstream valves

Close the downstream valve. Open slowly the upstream valve (max. 0,3 bar/second). When the pressure is stabilised in the meter, open gently the downstream valve to

maintain the pressure in the meter and to avoid overflow.

### 3.3.3 Installation with a by-pass

Close all valves. Slowly open the by-pass and wait until the downstream pressure is stabilised. Then proceed as §3.3.2. Close the bypass.

After start up, please check the tightness of the installation. Check also that the maximum flow of the meter is not exceeded.

## 4 Transmitters

The MZ is equipped as option with 2 Low Frequency (LF), Reed switches and an anti-tampering switch; with inductive medium or high frequencies (HF) transmitters. A Cyble sensor can be also installed onto the totaliser, see Annex 3.

Remarks about using the meter in potentially hazardous areas (ATEX).

- Pulse transmitters must be connected to circuits intrinsic safe circuits.
- On installation side air and creep distances of the cable connector must be considered.
- Clean the meter head only with a damp cloth.
- All exposed aluminium parts must be suitably protected (using paint, varnish, etc) if a film of rust is possible from dust in the environment.
- The meter must be earthed.
- Tools used for installing, removing, or repairing the meter on site must be appropriate for use in the hazardous area bearing in mind that the hazardous area classification during meter replacement may differ from that during normal meter operations.
- The meter shall not be exposed to flames, ionising radiation, and ultrasound.
- Pulse values and maximum frequencies are given in Annex 1. Electrical characteristics and wiring of the socket are given in Annex 4. The wiring of the transmitters is written on the name plate of the meter.
- Ambient temperature conditions must be considered, including possible additional heating effects due to other devices in immediate vicinity.

## 5 Maintenance

When properly installed and put into service, the MZ need no particular attention and will provide you with many years of satisfactory service.

### 5.1 Lubrication

Meters equipped with an oil pump have to be periodically lubricated. Oil is delivered with the meter. Specific oil has to be used, for example

- Aeroshell fluid 12 MIL6085A
- Isoflex PDP38 (Klüber)

- Anderol 401D (Mobil Oil)
- Univis P38 (Shell)

Quantity of oil to be filled:

a) On commissioning to fill the volume between the pump and the bearings

DN	Oil vol. (cm <sup>3</sup> )	Push
50/80	4	20
100	5	25
150/200	6	30

b) In Service

DN	Oil vol. (cm <sup>3</sup> )	Push
50/80	0,5	2-3
100	0,8	4
150/200	1,0	5

c) Recommended lubrication periodicity

Application	Lubrication periodicity
Dry gas, no dust	6 months
Gas comprising light condensates and little dust	Monthly
Gas with high percentage of condensates and dust. <b>BIOGAS applications</b>	Weekly

### 5.2 External silicagel cartridge

The meter can be equipped with an external silicagel cartridge for installation in severe environment conditions. The cartridge has to be replaced when its colour has changed. To replace the cartridge, unscrew the old cartridge, remove the protective plug of the new cartridge and screw it into the totaliser.

### 5.3 Inspection and repair

It is possible to check the good functioning of the MZ by applying a spin test. This test will give information about eventual friction in the turbine ball bearings.

The test has to be conducted as follow:

- Accelerate the turbine wheel around 30 to 50% of  $Q_{max}$  then to measure the time until the turbine wheel stops.
- Measure the spin time (ST) until the turbine wheel stops.
- See Annex 5 for typical values of spin time.
  
- The following recommendations have to be observed for repair:
- In case of use with aggressive or dangerous gas, it may be necessary to send a safety statement with the meter, detailing the type of Gas that has been measured.
- Some gas may still be present inside the meter and the pipe; therefore sufficient ventilation is required.

- Repairs and maintenance must be done by trained or qualified personal. Afterwards a tightness test with  $1.1 \times PS$  ( $P_{max}$ ) must be performed.
- When changing pressure-bearing parts, ensure that spare parts which comply with the PED are used.
- If used with wet gas, internal and external effect of corrosion has to be checked regularly and in case of severe corrosion, the meter must be replaced.
- Use solvent and alcohol free cleaning product to clean the meter.

1	Caractéristiques .....	9
2	Réception du MZ / MTZ .....	9
2.1	Emballage .....	9
2.2	Stockage .....	9
2.3	Manutention .....	9
3	Installation .....	9
3.1	Généralités .....	9
3.2	Installation recommandée .....	10
3.3	Mise en service .....	10
3.3.1	Installation avec uniquement une vanne amont .....	10
3.3.2	Installation avec vannes amont et aval .....	10
3.3.3	Installation avec by-pass .....	10
4	Emetteurs d'impulsions .....	10
5	Entretien .....	10
5.1	Lubrification .....	11
5.2	Cartouche silicagel externe .....	11
5.3	Inspection et réparation .....	11
6	Annexes .....	28



Attention : ce produit est un équipement sous pression : le non respect des instructions peut entraîner un danger pour la sécurité des biens et des personnes.

Dresser Utility Solutions GmbH, fabricant du compteur, décline toute responsabilité dans le cas du non respect de la totalité des points du présent mode d'emploi qui doit accompagner le compteur pendant toute sa durée de vie.

Se rapprocher et demander l'accord écrit du fabricant pour tous les cas non prévus dans la présente notice d'instructions.

Veuillez respecter toutes les réglementations nationales pour l'installation, l'utilisation et la maintenance des compteurs de gaz.

Toutes les approbations sont valables tant qu'aucune modification structurelle significative ne soit apportée au produit.

## 1 Caractéristiques :

Les compteurs à turbine sont des compteurs de vitesse conçu pour mesurer différents gaz non inflammables et non corrosifs. Le flux de gaz fait tourner la turbine dont la vitesse de rotation est proportionnelle à la vitesse linéaire du gaz. Le mouvement est transmis mécaniquement au totalisateur par l'intermédiaire d'une commande magnétique.

Les caractéristiques détaillées sont données en Annexe 1.

## 2 Réception du MZ / MTZ

### 2.1 Emballage

Le compteur, en fonction de sa taille est livré dans un carton individuel ou sur une palette. L'emballage contient les connecteurs pour les émetteurs d'impulsions installés et le lubrifiant lorsque le compteur est équipé d'une pompe à huile.

### 2.2 Stockage

Si le compteur n'est pas utilisé immédiatement, il doit être stocké sous protection dans un lieu sec et propre. Les opercules installés sur les brides doivent rester en place jusqu'à l'installation du compteur. Température de stockage: -40 °C à +70 °C

### 2.3 Manutention

Le compteur doit être manutentionné avec attention. Il doit être manipulé à l'aide de câbles passés sous le corps ou dans les anneaux de levage uniquement.

## 3 Installation

Le compteur doit impérativement être installé dans un

environnement dont les conditions limites (en particulier pression, température, débit,...) sont compatibles avec ses caractéristiques propres indiquées sur la plaque signalétique.

### 3.1 Recommandations générales : Voir Annexe 2 et l'information PED en Annexe 6

- Le MZ en version standard est conçu pour mesurer des gaz propres et non agressifs. Pour une utilisation avec des gaz agressifs veuillez contacter Dresser Utility Solutions pour des versions spéciales.
- Le compteur est prévu pour une installation jusqu'en zone 0 selon l'ATEX, alors que gaz à l'intérieur du compteur doit avoir une composition non inflammable. Ceci nécessite pour une mise en route conforme à l'ATEX un inertage avant utilisation avec un gaz combustible. Cet inertage est aussi nécessaire pour toutes mises en route ultérieures.
- Si le compteur est équipé d'une pompe à huile, veuillez orienter son réservoir en fonction de l'orientation du compteur dans le poste.
- (1) Avant l'installation, vérifier visuellement que le compteur n'a pas été endommagé durant le transport. Avant l'installation du compteur, vérifier sa rotation libre et sans friction. Cela peut s'effectuer en soufflant dans l'appareil.
- (2) Ne pas souder sur la canalisation lorsque le compteur est monté.
- (3) Le compteur doit être monté sans contraintes excessives dans la canalisation. Les brides doivent être correctement alignées. Le couple de serrage des boulons utilisés pour les brides ne doit pas excéder (Nm):

M16	M20
85	170

- Veuillez serrer les boulons au couple en croix.
- (4) Pour assurer une bonne précision de mesure, le compteur doit être monté avec une longueur droite amont de 3 DN minimum.
- (5) Connexion des émetteurs d'impulsions : Les compteurs de gaz peuvent être installés dans des zones où du gaz risque d'être présent. C'est pourquoi les connexions électriques ne doivent être effectuées qu'avec du matériel approuvé de sécurité intrinsèque. La connexion des broches est indiquée sur la plaque signalétique du compteur.
- (6) Les poussières et particules peuvent endommager la turbine. L'utilisation de tamis et de filtre est recommandée.
- (7) Les coups de pression durant la phase de démarrage et en service doivent être évités de manière à ne pas endommager la turbine. Durant la mise en service, la pressurisation ne doit pas excéder 0,3 bar par seconde.

### 3.2 Installation recommandée

Les compteurs à turbine sont des compteurs de vitesse par conséquent leur métrologie peut être influencée par des perturbations existant dans le flux de gaz.

Une précision de mesure optimale sera obtenue en respectant les recommandations suivantes :

- Pour les coudes placés à l'amont du compteur, utiliser préférentiellement des éléments ayant un rayon important ( $> 5 \text{ DN}$ ).
- Pour des changements de diamètres, utiliser des convergents et divergents concentriques. Les changements brusques doivent être évités.
- Des obstacles tels que des doigts de gant ne doivent pas être placés à l'amont du compteur à moins de  $2 \text{ DN}$ . Les joints plats doivent être correctement centrés entre les brides et ne doivent pas dépasser à l'intérieur de la canalisation.

### 3.3 Mise en service

#### 3.3.1 Installation avec uniquement une vanne amont

Ouvrir très lentement la vanne jusqu'à ce que le compteur commence à tourner. Laisser monter lentement la pression dans la canalisation aval (max.  $0,3 \text{ bars/second}$ ). Ouvrir la vanne complètement lorsque la pression est stabilisée

#### 3.3.2 Installation avec vannes amont et aval

Fermer la vanne aval. Ouvrir très lentement la vanne amont (max.  $0,3 \text{ bars/second}$ ). Quand la pression est stabilisée dans le compteur, ouvrir lentement la vanne aval de manière à maintenir la pression dans le compteur et à éviter un surdébit.

#### 3.3.3 Installation avec by-pass

Fermer toutes les vannes. Ouvrir lentement la vanne de by-pass et attendre que la pression aval soit stabilisée. Procéder comme au §3.3.2. Fermer le by-pass.

Après la mise en service, veuillez vérifier l'étanchéité de l'installation. Vérifiez aussi que le débit maximum du compteur ne soit pas atteint.

## 4 Emetteurs d'impulsions

Le compteur MZ peut être équipé en option de 2 émetteurs basse fréquence type reed et d'un contact anti-fraude, d'émetteurs inductifs de moyenne ou haute fréquence (HF). Un émetteur de type Cyble peut aussi être installé sur le totalisateur, voir l'Annex3.

Instructions pour utilisation en atmosphères potentiellement explosives (ATEX) :

- Les émetteurs d'impulsions ne doivent être raccordés qu'à des appareils homologués de sécurité intrinsèque.

- Côté montage, il faut tenir compte des distances d'isolement dans l'air et des lignes de fuite du connecteur de câble.
- Nettoyer le totalisateur uniquement avec un chiffon humide.
- La surface extérieure des pièces en aluminium situées dans les environs immédiats du compteur doit être protégée par un traitement adéquat (par exemple peinture) si une pellicule oxydée peut s'y déposer.
- Le compteur doit être relié électriquement à la terre.
- Pour le montage, démontage ou réparation sur site du compteur, uniquement des outils autorisés d'emploi en zone explosive peuvent être utilisés.
- Le compteur ne doit pas être exposé aux flammes, radiations ionisantes, ultrasons ou à des champs électromagnétiques puissants.
- Les conditions de température ambiante doivent être prises en compte, y compris les éventuels effets de chauffage supplémentaires dus à d'autres dispositifs à proximité immédiate.

Les poids d'impulsions et les fréquences maximales sont donnés en Annexe 1.

Les caractéristiques électriques et le câblage des embases sont donnés en Annexe 4. La connexion des broches est indiquée sur la plaque signalétique du compteur

## 5 Entretien

Lorsque le MZ est correctement installé et mis en service, il n'exige aucune attention particulière et il assurera sa fonction durant de nombreuses années.

## 5.1 Lubrification

Les compteurs équipés de pompe à huile doivent être périodiquement lubrifiés.

Le lubrifiant est fourni avec le compteur. Une huile spécifique doit être utilisée telles que :

- Aeroshell fluid 12 MIL6085A
- Isoflex PDP38 (Klüber)
- Anderol 401D (Mobil Oil)
- Univis P38 (Shell)

Quantité d'huile à injecter :

a) Lors de la mise en service pour remplir le volume compris entre la pompe et les roulements.

DN	Oil vol. (cm <sup>3</sup> )	Coups de pompe
50/80	4	20
100	5	25
150/200	6	30

b) En fonctionnement

DN	Oil vol. (cm <sup>3</sup> )	Coups de pompe
50/80	0,5	2-3
100	0,8	4
150/200	1,0	5

c) Périodicité de lubrification recommandée

Application	Périodicité de lubrification
Gaz sec, sans poussière	6 mois
Gaz avec condensats légers, peu de poussière	1 mois
Gaz avec forts condensats, beaucoup de poussière <b>Applications Biogaz</b>	1 semaine

## 5.2 Cartouche silicagel externe

Le MZ peut être équipé en option d'une cartouche silicagel externe pour les installations dans les environnements difficiles. La cartouche doit être remplacée lorsque sa couleur a changé. Pour remplacer la cartouche, dévisser l'ancienne, enlever l'opercule de protection de la nouvelle et la revisser dans le totalisateur.

## 5.3 Inspection et réparation

Il est possible de vérifier le bon fonctionnement du MZ en appliquant un « spin test ». Ce test mettra en évidence d'éventuels frottements dans les roulements de turbine.

Le test doit être réalisé de la manière suivante :

- Lancer la roue de turbine entre 30 et 50% de Qmax.
- Mesurer ensuite le temps nécessaire à l'arrêt complet de la turbine (ST).

Voir les temps d'arrêt typiques en Annexe 5.

Les instructions suivantes doivent être respectées pour les réparations :

- Toute opération portant à modifier la définition initiale du compteur est interdite. Aucune opération de type soudage, meulage, perçage, usinage, gravage, coupe, chauffe, et équivalents ne doivent pas être effectuées sur le compteur.
- En cas d'utilisation avec un gaz agressif ou dangereux, il peut être utile de joindre au compteur une fiche de sécurité décrivant le type de gaz mesuré.
- Du gaz peut rester dans le compteur ou la canalisation, c'est pourquoi une ventilation suffisante est nécessaire.
- La réparation et la maintenance ne doivent être effectuées que par du personnel Dresser Utility Solutions ou agréé par Dresser Utility Solutions. Après réparation, un essai d'étanchéité à 1,1 x PS (Pmax) doit être effectué.
- Lorsqu'une pièce sous pression est changée, il faut s'assurer que la pièce de rechange est conforme à la DESP.
- En cas d'utilisation avec des gaz humides, les effets de la corrosion doivent être périodiquement vérifiés. En cas de corrosion importante, le compteur doit être remplacé.
- Utiliser un produit sans solvant ni alcool pour nettoyer le compteur.
- Seules les interventions effectuées par Dresser Utility Solutions pourront être garanties.

1	Funktionsprinzip .....	13
2	Grundsätzliches zu MZ .....	13
2.1	Verpackung .....	13
2.2	Lagerung .....	13
2.3	Handhabung.....	13
3	Installation .....	13
3.1	Allgemeine Empfehlungen .....	13
3.2	Besonderheiten zur Installation .....	13
3.3	Inbetriebnahme .....	14
3.3.1	Installationen mit Absperrventil nur hinter dem Zähler .....	14
3.3.2	Installationen mit Absperrventil vor und hinter dem Zähler .....	14
3.3.3	Installation mit By-Pass.....	14
4	Impulssysteme .....	14
5	Instandhaltung .....	14
5.1	Schmierung .....	15
5.2	Externe Silikagel Trockenpatrone.....	15
5.3	Überprüfung und Reparatur .....	15
6	Technische Daten .....	28

Bewahren sie dieses Dokument so auf, dass für alle Anwender jederzeitiger Zugriff gewährleistet ist. Bitte beachten sie alle nationalen Regeln und Vorschriften für Installation, Betrieb und Betriebsunterhaltung für Gas Messgeräte.

Alle Zulassungen sind nur gültig, solange keine wesentlichen baulichen Veränderungen am Gerät vorgenommen werden.

## 1 Funktionsprinzip

Turbinenradgaszähler sind Durchflussmessgeräte, entwickelt zur Messung von unterschiedlichen nicht zündfähigen und nicht korrosiven Gasen. Durch den Gasfluss wird ein auf einer Welle befestigtes Turbinenrad in Rotation versetzt, die Drehzahl verhält sich proportional zur linearen Strömungsgeschwindigkeit des Gases. Die Bewegung des Rades wird mechanisch über eine Magnetkupplung in den Zählerkopf auf ein Zählwerk übertragen.

Weitere technische Details finden sie in Annex 1.

## 2 Grundsätzliches zu MZ

### 2.1 Verpackung

Der Zähler wird in Abhängigkeit der Nennweite in individuellen Kartonagen oder auf Holzpaletten geliefert. In der Verpackung befinden sich auch die Stecker für die eingebauten Impulssysteme sowie das Zähleröl für die Ausführungen mit Ölpumpe.

### 2.2 Lagerung

Falls der Zähler nicht zum sofortigen Einsatz kommt, sollte die Lagerung in einem trockenen sauberen Raum erfolgen. Die Flanschabdeckungen erst unmittelbar vor der Installation entfernen. Lagertemperatur: -40 °C bis +70 °C.

### 2.3 Handhabung

Zähler sollten mit Sorgfalt behandelt werden. Das Anheben darf nur mit Gurten um das Zählergehäuse oder an den Halteösen vorgenommen werden.

## 3 Installation

### 3.1 Allgemeine Empfehlungen:

siehe Annex 2 und PED in Annex 6

- Der Standard-Turbinenradgaszähler ist konzipiert für saubere nicht-aggressive Gase. Für einen Einsatz mit aggressiven Gasen nehmen sie bitte Kontakt mit Dresser Utility Solutions auf, wir bieten Ihnen Spezialausführungen an.
- Der Zähler ist für Installationen in bis zu ATEX-Zone 0 vorgesehen. Wobei innerhalb des installierten Zählers

nur nicht zündfähige Gaszusammensetzung zulässig sind. Daher ist für eine ATEX konforme Inbetriebnahme ist eine Inertisierung vor dem erstmaligen Einsatz mit Brenngasen erforderlich. Gleiches gilt für die Wiederinbetriebnahme.

- Wenn der Zähler mit Ölpumpe ausgestattet ist, drehen sie den Ölbehälter gemäß der Einbaulage.
- (1) Überprüfen sie das Gerät vor der Installation auf Transportschäden. Vor der Montage des Zähler in die Rohrleitung ist der Leichtlauf der Kolben durch Anblasen zu prüfen.
- (2) Nehmen sie KEINE Leitungs-Schweißarbeiten mit eingebautem Zähler vor.
- (3) Der Zähler soll ohne Rohrleitungsspannungen installiert werden. Die Flansche müssen korrekt ausgerichtet sein. Die Drehmomente der Schrauben dürfen die angegebenen Werte nicht überschreiten (Nm):

M16	M20
85	170

Schrauben bitte über Kreuz festziehen.

- (4) Um die Messgenauigkeit sicherzustellen, muss der Zähler mit einer Einlaufstrecke von mindestens 3 DN eingebaut werden.
- (5) Impulsgeber Anschlüsse: Turbinenradgaszähler sind häufig in explosionsgefährdeten Räumen installiert. Deshalb sind bei Anschluss der Impulssysteme die gültigen Ex-Bestimmungen zu beachten. Anschlussplan und Impulswertigkeiten sind auf dem Typenschild vermerkt.
- (6) Schmutzpartikel können das Turbinenrad beschädigen. Wir empfehlen den Einbau von Filteranlage oder Anfahrtsieb vor dem Zähler.
- (7) Druckstöße während der Inbetriebnahme oder der Betriebsphase können das Messgerät beschädigen. Um Schäden beim Befüllen der Leitung zu vermeiden, sollte der Druckanstieg kleiner 0,3 bar pro Sekunde sein.

### 3.2 Besonderheiten zur Installation

Turbinenradgaszähler sind Durchflussmessgeräte und deshalb in ihrer Messgenauigkeit beeinflussbar durch Turbulenzen im Gasstrom.

Beste Messgenauigkeit kann bei Einhaltung folgender Regeln erreicht werden :

- bevorzugen sie Leitungsbogen mit großem Radius (> 5 DN) vor dem Zähler.
- bei Querschnittsänderung der Rohrleitung sind Reduzierungen oder Erweiterungen in Kompaktversion (große Querschnittsänderung auf kurzer Strecke) zu vermeiden.
- Störkörper für die Gasströmung sind innerhalb 2 DN vor dem Messgerät zu vermeiden (z. B. Tauchhülsen etc.). Flanschdichtungen sollten zentrisch montiert sein, damit kein Einfluss auf den Gasstrom entsteht.

### 3.3 Inbetriebnahme

#### 3.3.1 Installationen mit Absperrventil nur hinter dem Zähler

Ventil sehr langsam öffnen, bis der Zähler anläuft. Langsamer Druckaufbau in der zu befüllenden Leitung (max 0,3 bar/sec). Erst wenn das Druckniveau ausgeglichen ist, Absperrventil voll öffnen.

#### 3.3.2 Installationen mit Absperrventil vor und hinter dem Zähler

Ausgangsventil schließen. Eingangsventil langsam öffnen (max 0,3 bar/sec). Wenn im Zähler der Druck aufgebaut ist, langsam und kontrolliert das Ausgangsventil öffnen, so dass das Druckniveau erhalten bleibt und der Zähler nicht überlastet wird.

#### 3.3.3 Installation mit By-Pass

Alle Absperrventile schließen. By-Pass-Ventil langsam öffnen und Druck im Zähler aufbauen. Im Weiteren wie 3.3.2, anschließend By-Pass schließen. Nach der Inbetriebnahme Dichtheit der Gesamtanlage prüfen. Zusätzlich sicherstellen, dass der maximale Durchfluss  $Q_{max}$  des Zählers nicht überschreitet.

## 4 Impulssysteme

Optional kann der MZ mit 2 NF-Impulsgebern, Reedkontakten und einem Anti-Manipulationskontakt ausgestattet werden; eine weitere Option sind induktive mittel und hochfrequente Impulsgeber, sowie der Anbau eines Cyble sensors am Zählerkopf, siehe Annex 3. Der Turbinenradgaszähler MZ ist standardmäßig ausgestattet mit 2 Stück RK (Niederfrequenz Impulsgebern) und 1 Stück Anti Manipulationskontakt. Optional können zusätzlich induktive Mittel- und Hochfrequenz Impulsgeber eingebaut werden.

Hinweise für den Ex-Einsatz (ATEX):

- Alle Impulsgeber dürfen nur an eigensichere Stromkreise angeschlossen werden.
- Einbauseitig müssen Luft- und Kriechstrecken des Kabelsteckers berücksichtigt werden.
- Der Zähler ist nur mit einem feuchtem Tuch zu reinigen.
- Wenn in der unmittelbaren Zählerumgebung Flugrost möglich ist, sind alle Aluminim-Außenteile entsprechend zu schützen (z.B. durch Lackieren).
- Eine Erdung der Geräte ist zwingend erforderlich.
- Für Ein-/Ausbau von Geräten bzw. deren Reparatur vor Ort, dürfen nur die Werkzeuge die für die betreffende Ex-Zone zugelassen sind, verwendet werden.
- Geräte dürfen nicht: Flammen, Ionisierter-Strahlung, Ultraschall oder starken elektro-magnetischen Wellen ausgesetzt werden.

Impulswertigkeiten und max Frequenzen stehen in Annex 1. Elektrische Anschlusswerte und Steckerbelegung stehen in Annex 4. Die Steckerbelegung wird auch an jedem Gerät auf dem Typenschild angegeben.

## 5 Instandhaltung

Bei fachgerechtem Einbau und Wartung haben sie mit dem MZ ein Messgerät im Einsatz, welches über viele Jahre zu ihrer Zufriedenheit arbeiten wird.

### 5.1 Schmierung

Zähler, die mit Ölpumpe ausgerüstet sind, müssen regelmäßig nachgeölt werden. Spezielles Öl wird mit dem Zähler geliefert.

Zulässig sind :

- Aeroshell fluid 12 MIL6085A
- Isoflex PDP 38 (Klüber)
- Anderol 401D (Mobil Oil)
- Univis P38 (Shell)

Füllmenge

a) Erstbefüllung des Volumens zwischen Ölbehälter und Kugellager

DN	Oil vol. (cm <sup>3</sup> )	Hübe
50/80	4	20
100	5	25
150/200	6	30

b) Nachölung

DN	Oil vol. (cm <sup>3</sup> )	Hübe
50/80	0,5	2-3
100	0,8	4
150/200	1,0	5

c) Nachölfrieten

Kriterien	Zeitperiode
Trockenes Gas, ohne Staub	6 Monate
Gas mit wenig Kondensat und geringem Schmutz	monatlich
Gas mit viel Kondensat und starkem Schmutz. <b>Biogas Anwendungen</b>	wöchentlich

## 5.2 Externe Silikagel Trockenpatrone

Der Zähler kann für Einsatzfälle unter schwierigen Umgebungsbedingungen mit einer externen Silikagel Patrone ausgestattet werden. Die Trockenpatrone muss erneuert werden, wenn sie Ihre Farbe verändert. Um eine neue Patrone einzusetzen, bitte verbrauchte Patrone heraus-schrauben, Schutzkappe der neuen Patrone entfernen und im Zählerkopf einschrauben.

## 5.3 Überprüfung und Reparatur

Es gibt die Möglichkeit die Funktionsfähigkeit des Messgerätes durch einen Spin-Test abzuschätzen. Dadurch erhält man eine Information über eine mögliche Schwergängigkeit der Kugellager. Der Test kann folgendermaßen durchgeführt werden :

- Beschleunigen Sie das Turbinenrad auf einen Wert von 30 – 50 % von  $Q_{max}$  und messen dann die Zeit bis das Laufrad stehen bleibt.
- Messen Sie die Zeit in Sekunden (Spin-Zeit) bis das Laufrad stoppt.

In Annex 5 sind typische Spin-Zeiten genannt.

Folgende Empfehlungen sind vor einer Reparatur zu beachten:

- In Fällen von aggressiven oder gefährlichen Gasen, ist es erforderlich eine Sicherheitserklärung mit dem Gerät zur Verfügung zu stellen. Eine detaillierte Analyse des gemessenen Gases ist beizulegen.
- Falls Gasanteile im Gerät verblieben sind, muss durch ausreichende Belüftung eine neutrale Atmosphäre geschaffen werden.
- Instandsetzung und Reparatur darf nur durch geschultes und qualifiziertes Personal durchgeführt werden. Anschließend muss eine Dichtheitsprüfung mit
- $1,1 \times PS$  ( $P_{max}$ ) vorgenommen werden.
- Falls drucktragende Teile ausgetauscht werden, muss sichergestellt sein, dass die Ersatzteile konform zur geltenden Druckgeräterichtlinie sind.
- In Fällen von feuchten Gasen sind Auswirkungen in Bezug auf innere und äußere Korrosion zu prüfen. Falls stärkere Korrosion vorliegt, ist der Zähler auszutauschen.
- Zum Reinigen nur lösungsmittel- und alkoholfreie Mittel verwenden.

1	Caratteristiche .....	17
2	Ricevimento del MZ .....	17
2.1	Imballo .....	17
2.2	Stoccaggio .....	17
2.3	Spostamento .....	17
3	Installazione .....	17
3.1	Raccomandazioni generali .....	17
3.2	Consigli per l'installazione.....	17
3.3	Attivazione .....	18
3.3.1	Installazione con una sola valvola a monte.....	18
3.3.2	Installazione con valvole a monte e a valle.....	18
3.3.3	Installazione con by-pass.....	18
5	Manutenzione .....	18
5.1	Lubrificazione.....	18
5.2	Cartuccia silicagel esterna.....	19
5.3	Ispezione e riparazione.....	19
6	Caratteristiche tecniche .....	28



Si prega di voler conservare questo manuale a disposizione degli utenti.

Si richiede inoltre il rispetto di tutti i regolamenti nazionali previsti per l'installazione, l'utilizzo e la manutenzione dei contatori a gas.

Tutte le approvazioni sono valide solo finché non vengono apportate modifiche strutturali significative al dispositivo.

## 1 Caratteristiche

I contatori a turbina sono considerati contatori a flusso, progettato per misurare diversi gas non infiammabili e non corrosivi. Il flusso di gas fa girare la turbina, la cui velocità di rotazione è proporzionale alla velocità lineare del gas. Il movimento è trasmesso meccanicamente al totalizzatore tramite un comando magnetico.

Caratteristiche dettagliate in merito sono riportate nell'Allegato 1.

## 2 Ricevimento del MZ

### 2.1 Imballo

Il contatore, a seconda della dimensione, è spedito in un singolo scatolone o su di un bancale in legno. L'imballo contiene i connettori per gli emettitori d'impulsi installati ed il lubrificante nel caso in cui il contatore sia equipaggiato d'una pompa ad olio.

### 2.2 Stoccaggio

Se il contatore non viene subito utilizzato, dovrebbe essere conservato in luogo protetto, pulito e secco. Le cuffie posizionate sui tubi in entrata ed in uscita non devono essere rimosse fino al momento dell'installazione del contatore. Temperatura di immagazzinamento: da -40 °C a +70 °C

### 2.3 Spostamento

Il contatore deve essere maneggiato con molta attenzione. Deve essere sollevato esclusivamente con l'aiuto delle cinghie passanti sotto il corpo principale o negli appositi anelli di sollevamento.

## 3 Installazione

### 3.1 Raccomandazioni generali:

vedere Allegato 2 e informazioni PED in Allegato 6

- Il MZ versione standard è noto per essere utilizzato con gas puliti e non aggressivi. Nel caso di utilizzo con gas aggressivi pregasi contattare Dresser Utility Solutions per versioni speciali.
- Il misuratore è progettato per essere installato in una zona ATEX 0. Mentre all'interno della rete di tubazioni sono consentite solo composizioni di gas non infiammabili. Ciò richiede, per motivi ATEX, un'inertizzazione

prima dell'uso iniziale con i gas di combustione. Lo stesso vale per la rimessa in servizio.

- Se il contatore è dotato di pompa ad olio, pregasi orientarne il serbatoio in funzione dell'orientamento del contatore.
- (1) Prima dell'installazione verificare visivamente che il contatore non abbia subito danni durante il trasporto. Prima di installare il contatore nella condotta, verificare che la turbina Verificare la scorrevolezza della ruota della turbina soffiando su di essa.
- (2) Non saldare la tubazione a contatore installato.
- (3) Il contatore deve essere montato senza provocare eccessive tensioni nella tubazione. Le flange devono essere allineate correttamente. La tensione massima di chiusura dei bulloni utilizzati per le flange non deve superare (Nm):

M16	M20
85	170

Per la chiusura dei bulloni si raccomanda di procedere a croce.

- (4) Per assicurare una buona precisione nella misurazione, il contatore deve essere montato ad una distanza in entrata, (a monte), di almeno 3 DN.
- (5) Connessione degli emettitori d'impulsi: i contatori di gas vengono spesso installati in luoghi in cui vi è il rischio che del gas sia presente. E' questa la ragione per cui le connessioni elettriche devono essere effettuate esclusivamente con materiali di sicurezza intrinseca approvati. La connessione degli attacchi è indicata sulla placca segnaletica del contatore.
- (6) La polvere ed altre piccole particelle possono danneggiare la turbina, è quindi consigliato l'utilizzo di griglie e filtri.
- (7) Durante la fase di avviamento dovrebbero essere evitati sbalzi di pressione per evitare che la turbina possa subire danni. Al fine di prevenire danneggiamenti durante la fase di avviamento, incrementare la pressione lentamente, l'aumento di pressione non deve superare i 300 mbar a secondo.

### 3.2 Consigli per l'installazione

In conseguenza del fatto che i contatori a turbina sono dei contatori a flusso, la loro misurazione può essere influenzata da eventuali perturbazioni presenti nel flusso di gas.

Si potrà ottenere una precisione di misura ottimale rispettando le seguenti raccomandazioni:

- Per l'installazione a monte, utilizzare preferibilmente gomiti a largo raggio (> 5 DN)
- Per variazioni di diametro utilizzare pezzi convergenti e divergenti concentrici. Le variazioni brusche devono essere evitate.
- Ostacoli come le sonde di temperatura non devono essere posizionate nel condotto a monte del contatore per almeno 2 DN. Le guarnizioni devono essere correttamente posizionate al centro tra le flange e non devono arrivare all'interno del condotto.

### 3.3 Attivazione

#### 3.3.1 Installazione con una sola valvola a monte

Aprire la valvola molto lentamente sino a quando il contatore comincia a girare. Lasciate aumentare lentamente la pressione nella tubazione a valle (max 0,3 bar/secondo). Aprire la valvola completamente quando la pressione si è stabilizzata.

#### 3.3.2 Installazione con valvole a monte e a valle

Chiudere la valvola a valle. Aprire molto lentamente la valvola a monte (max 0,3 bar/secondo). Quando nel contatore si è stabilizzata la pressione, aprire lentamente la valvola a valle in modo tale da mantenere la pressione nel contatore e di evitare un flusso eccessivo.

#### 3.3.3 Installazione con by-pass

Chiudere tutte le valvole, Aprire lentamente il by-pass ed attendere che la pressione a valle si stabilizzi. Procedere poi come descritto nel paragrafo precedente. Chiudere il by-pass.

Dopo l'attivazione, verificare la tensione dell'installazione. Verificare anche che il flusso non superi quello di portata massima del contatore.

## 4 Emettitori d'impulsi

L' MZ è equipaggiato **in opzione** con due emettitori di impulsi a bassa frequenza (LF), Reed switches e anti frode ; due trasmettitori induttivi di media e alta frequenza (HF).

A Un emettitore Cyble può essere installato sopra il totalizzatore , vedi allegato 3.

Guide per uso in atmosfere potenzialmente esplosive (ATEX):

- Gli emettitori di impulsi devono essere connessi solamente a circuiti a sicurezza intrinseca.
- Per quanto riguarda l'installazione, è necessario tenere conto delle distanze di sicurezza e di dispersione del connettore del cavo.
- Pulire il totalizzatore del contatore solo con un panno umido.
- Se è possibile la formazione di ruggine (ruggine nelle immediate vicinanze del contatore), tutte le parti di alluminio esterne devono essere protette di conseguenza (e.g. da vernice).
- Il contatore deve essere messo a terra.
- Per installazione, rimozione o riparazione del contatore in sito, possono essere utilizzati solamente attrezzi idonei per utilizzi in area con pericolo di esplosione.
- Il contatore non dovrà essere esposto a: fiamme, radiazione ionizzata ed ultrasuono.
- Considerare la temperatura ambiente includendo anche possibili riscaldamenti aggiuntivi provenienti da altri dispositivi installati nelle immediate vicinanze del contatore.

I valori degli impulsi e le massime frequenze sono riportati nell'Allegato 1.

Le caratteristiche elettriche e le connessioni sono riportate nell'Allegato 4.

Le connessioni dei trasmettitori sono riportate sulla placca segnaletica del contatore.

## 5 Manutenzione

Se il MZ è correttamente installato ed attivato, non è richiesta nessuna particolare attenzione e Vi assicurerà un buon funzionamento per parecchi anni.

### 5.1 Lubrificazione

I contatori dotati di pompa ad olio devono essere periodicamente lubrificati.

Il lubrificante Vi è fornito col contatore. Deve essere utilizzato un olio specifico, come:

- Aeroshell fluid 12 MIL6085A
- Isoflex PDP38 (Klüber)
- Anderol 401D (Mobil oil)
- Univis P38 (Shell)

Quantità di olio da utilizzare:

a) Al momento dell'attivazione per riempire il volume compreso tra la pompa e i cuscinetti

DN	Oil vol. (cm <sup>3</sup> )	Push
50/80	4	20
100	5	25
150/200	6	30

b) In funzione

DN	Oil vol. (cm <sup>3</sup> )	Push
50/80	0,5	2-3
100	0,8	4
150/200	1,0	5

c) Periodicità di lubrificazione consigliata

Applicazione	Periodicità di lubrificazione
Gas secco, senza polveri	6 mesi
Gas con leggere condensazioni e poche polveri.	1 mese
Gas con alta percentuale di condensazioni e molte polveri.	1 settimana

**Applicazioni con BIOGAS**

## 5.2 Cartuccia silicagel esterna

Il MZ può essere equipaggiato, in opzione, di una cartuccia silicagel esterna in caso di installazioni in ambienti difficili. La cartuccia deve essere sostituita nel momento in cui il suo colore cambia. Per sostituire la cartuccia, svitare la vecchia, rimuovere il tappo protettivo della nuova ed avvitatela nel totalizzatore.

## 5.3 Ispezione e riparazione

Esiste la possibilità di verificare il buon funzionamento del MZ applicando uno „spin test“. Questo test mette in evidenza eventuali attriti dei cuscinetti durante la rotazione della turbina.

Il test deve essere eseguito come segue:

- Accelerare la ruota della turbina fino a un valore compreso fra 30 e 50 di Qmax
- Misurare quindi il tempo necessario all'arresto completo della turbina (spin time -ST-)

Vedere nell'Allegato 5 il tempo regolare di arresto.

In caso di riparazione devono essere seguite le seguenti raccomandazioni:

- In caso di utilizzo con gas aggressivo o pericoloso, può rendersi necessaria l'aggiunta al contatore di una etichetta (dichiarazione) di sicurezza che descriva il tipo di gas misurato.
- Potrebbe rimanere del gas residuo nel contatore o nella condotta, è necessario quindi prevedere una sufficiente ventilazione.
- La riparazione e la manutenzione devono essere eseguite esclusivamente da personale qualificato. Dopo ogni riparazione deve essere effettuata una prova di tenuta alla pressione di  $1.1 \times PS$  (ovvero Pmax).
- Se dovesse rendersi necessaria la sostituzione di un pezzo sotto pressione, assicurarsi che il pezzo di ricambio sia conforme al PED.
- Nel caso di utilizzo con gas umidi, periodicamente è necessario verificare gli effetti della corrosione. In caso di corrosione seria il contatore deve essere sostituito.
- Per la pulizia del contatore utilizzare un prodotto che non contenga né solvente né alcool.

1	Características .....	21
2	Envío del MZ .....	21
2.1	Embalaje .....	21
2.2	Almacenamiento .....	21
2.3	Manipulación.....	21
3	Instalación .....	21
3.1	Recomendaciones generales.....	21
3.2	Instalación recomendada .....	21
3.3	Inicio .....	22
3.3.1	Instalación solo con válvula aguas arriba.....	22
3.3.2	Instalación con válvulas aguas arriba y aguas abajo .....	22
3.3.3	Instalación con by-pass.....	22
4	Emisores .....	22
5	Mantenimiento .....	22
5.1	Lubricación.....	22
5.2	Cartucho de Silicagel externo .....	23
5.3	Inspección y reparación.....	23
6	Característica .....	28

Mantenga este manual accesible a todos los usuarios. Por favor, respete todos los requisitos legales del país para la instalación, operación y servicio de los contadores de gas.

Todas las aprobaciones son válidas únicamente mientras no se realicen cambios estructurales significativos en el equipo.

## 1 Características

Los contadores de gas con turbina son contadores de caudal, diseñado para medir diferentes gases no inflamables y no corrosivos. El caudal del gas mueve una turbina y la velocidad de rotación de ésta es proporcional a la velocidad lineal del gas. El movimiento mecánico es transmitido al totalizador a través de una transmisión magnética.

Para mayor detalle vea el Anexo 1.

## 2 Envío del MZ

### 2.1 Embalaje

El contador, dependiendo del calibre, se envía en una caja individual de cartón o en palets de madera. El embalaje contiene las protecciones de los transmisores y el lubricante si se instala una bomba de aceite.

### 2.2 Almacenamiento

Si el contador no va a ser instalado de forma inmediata, se debe almacenar en un lugar cubierto, limpio y seco. Las protecciones situadas en la entrada y salida del contador no deberán quitarse hasta el momento de su instalación. Temperatura de almacenamiento:  $-40\text{ }^{\circ}\text{C}$  a  $+70\text{ }^{\circ}\text{C}$

### 2.3 Manipulación

Los contadores deberán ser manipulados con cuidado. Estos deberán ser transportados con correas situadas alrededor del cuerpo principal o de los aros situados en el contador.

## 3 Instalación

**3.1 Recomendaciones generales:** Vea el Anexo 2 y la información PED en Anexo 6

- El contador estándar MZ está fabricado para ser utilizado con gases limpios y no agresivos. Para utilizarlo con gases agresivos por favor contacte con Dresser Utility Solutions para solicitar versiones especiales.
- El contador está diseñado para ser instalado en una zona ATEX 0. Mientras que dentro de la red de tuberías sólo se permiten composiciones de gas no inflama-

bles. Eso requiere por razones ATEX una inertización antes del uso inicial con gases de combustión. Lo mismo se aplica a la nueva puesta en servicio.

- Si el contador está equipado con bomba de aceite, coloque el recipiente de aceite de acuerdo con la posición de instalación.
- (1) Antes de instalar el contador, verifique visualmente que el contador no ha sido dañado durante su transporte. Antes de montar el contador en la tubería, compruebe el buen funcionamiento de la rueda de la turbina soplando sobre ella.
- (2) NO realice soldaduras en las tuberías si el contador está instalado.
- (3) El contador no deberá instalarse si las tuberías están siendo sometidas a algún tipo de tensión. Las bridas deberán estar alineadas de forma correcta. La presión en los tornillos no deberá exceder (Nm):

M16	M20
85	170

- (4) Para garantizar la precisión, el contador deberá instalarse con una tubería recta en la entrada del contador de 3 DN como mínimo. No obstante se deberán respetar las normativas de instalación vigente en cada país.
- (5) Conexión de Emisores: Los contadores de gas con frecuencia se instalan en zona peligrosa, por tanto, las conexiones eléctricas se deberán hacer teniendo en cuenta el marcado Ex en el equipo, o con equipos aprobados. Para emisores y pesos de impulsos vea los valores en la placa de características del contador.
- (6) Las partículas de suciedad podrían dañar la turbina del contador, por lo que se recomienda la limpieza de las tuberías antes de la instalación del contador, también se recomienda el uso de filtros.
- (7) Deberán evitarse los golpes de ariete para proteger la integridad de la turbina. Para evitar daños, incremente lentamente la presión a menos de 0,3 bar por segundo.

### 3.2 Instalación recomendada

Los contadores de gas con turbina son contadores de caudal por lo que su metrología podría verse afectada por alteraciones en el caudal del gas.

Se puede lograr una precisión óptima siguiendo las siguientes recomendaciones:

- Utilizar preferiblemente „codos“ con un amplio radio ( $>5\text{ DN}$ ) para instalarse en la entrada del contador.
- Para variaciones del diámetro de la tubería, utilice piezas concéntricas, convergentes y divergentes, se debe evitar los cambios bruscos de diámetro.
- Obstáculos como los termómetros, no deberán ser instalados en los 2 DN de la tubería de entrada del contador. Las juntas deberán estar correctamente centradas entre las bridas sin sobresalir en la tubería.

### 3.3 Inicio

#### 3.3.1 Instalación solo con válvula aguas arriba

Abrir la válvula lentamente hasta que el contador comience a funcionar. Incremente lentamente la presión en la tubería situada aguas abajo (máx. 0,3 bar / segundo). Cuando se establezca la presión aguas abajo, abrir completamente la válvula.

#### 3.3.2 Instalación con válvulas aguas arriba y aguas abajo

Cerrar la válvula aguas abajo. Abrir lentamente la válvula aguas arriba (máx. 0,3 bar / segundo). Cuando se establezca la presión en el contador, abrir lentamente la válvula aguas abajo para mantener estable la presión en el contador y evitar un exceso de caudal.

#### 3.3.3 Instalación con by-pass

Cierre todas las válvulas. Abrir lentamente el by-pass y esperar hasta que la presión aguas abajo se establezca. Luego proceda como §3.3.2. Cierre el by-pass.

Después del inicio, por favor verifique la integridad (fugas) de la instalación. Verifique también que no se exceda el caudal máximo de la instalación.

## 4 Emisores

El MZ se suministra como opción con 2 emisores de baja frecuencia BF tipo reed, un emisor de baja frecuencia tipo inductivo, media o alta frecuencia HF y también con un emisor tipo Cyble para instalarse sobre el totalizador, ver Anexo 3. Consejos para manipulación en atmósferas potencialmente explosivas (ATEX):

- Los transmisores de impulsos deben ser conectados solo en áreas intrínsecamente seguras.
- En la instalación, deben tenerse en cuenta los espacios libres y las líneas de fuga del conector del cable.
- Para limpiar el cabezal del contador utilizar, exclusivamente, un paño húmedo.
- Si es posible que se acumulen capas de óxido (óxido suelto en las inmediaciones del contador), todas las superficies externas de aluminio deberán estar correctamente protegidas (ejemplo, mediante una capa de barniz)
- El contador debe estar conectado a tierra.
- Al instalar, quitar o reparar un contador en el área de uso, solo se podrán utilizar herramientas permitidas en áreas potencialmente explosivas.
- El contador no deberá estar expuesto a: Fuego, radiación ionizada y ultrasonido.
- Deben considerarse las condiciones de temperatura ambiente, y también el posible efecto de un sobrecalentamiento debido a la presencia de otros dispositivos cercanos.

Los pesos de impulso y las máximas frecuencias se describen en el Anexo 1.

Las características eléctricas y las conexiones del cable se describen en el Anexo 4. El cableado de los emisores se describe en la placa de características del contador.

## 5 Mantenimiento

Cuando el contador se instala y se pone en marcha correctamente, el MZ no requiere especial atención y funcionará de forma satisfactoria por muchos años.

### 5.1 Lubricación

Los contadores equipados con bomba de aceite deben ser periódicamente lubricados.

El aceite se entrega junto con el contador. Debe utilizarse un tipo aceite específico, por ejemplo:

- Aeroshell fluid 12 MIL6085A
- Isoflex PDP38 (Klüber)
- Anderol 401D (Mobil Oil)
- Univis P38 (Shell)

Cantidad de aceite a utilizar:

a) En la puesta en marcha, rellene el volumen entre la bomba y el cojinete

DN	Vol. Aceite (cm <sup>3</sup> )	Bombeos
50/80	4	20
100	5	25
150/200	6	30

b) En servicio

DN	Vol. Aceite (cm <sup>3</sup> )	Bombeos
50/80	0,5	2-3
100	0,8	4
150/200	1,0	5

c) Lubricación periódica recomendada

Aplicación	Lubricación periódica
Gas seco, sin partículas	6 meses
Gas, poca	Mensual
condensación y pocas partículas Gas, alta condensación y muchas partículas <b>Aplicaciones con BIOGAS</b>	Semanal

## 5.2 Cartucho de Silicagel externo

El contador se puede equipar con un cartucho externo de silicagel para su instalación en condiciones extremas. El cartucho tiene que ser repuesto cuando varíe su color. Para remplazar el cartucho, desatornille el cartujo viejo, quite el tapón protector del nuevo cartucho y atorníllelo en el totalizador.

## 5.3 Inspección y reparación

Es posible verificar el correcto funcionamiento del contador MZ realizando un « spin test ». Esta prueba permitirá conocer posibles fricciones y el estado de la turbina.

La prueba se realiza de la siguiente forma:

- Haga girar la turbina de un 30 a un 50% del Qmax.
- Mida el tiempo hasta que la turbina se detenga (ST). Para valores típicos de (ST) vea el Anexo 5. En caso de reparación, siga las siguientes recomendaciones:
- En caso de uso con gases agresivos o peligrosos, es necesario enviar un certificado junto con el contador, detallando el tipo de gas al que ha sido sometido.
- Cierta cantidad de gas podría quedar dentro del contador y/o tuberías, por lo que se requiere ventilación suficiente.
- La reparación y el mantenimiento deben ser realizados por personal cualificado. Luego de la reparación, es necesario realizar una prueba de estanqueidad con  $1.1 \times PS$  (Pmax).
- Si se cambian piezas que se someten a presión, asegúrese que los recambios cumplen con el PED.
- Si se utiliza gas húmedo, se debe verificar regularmente el efecto de corrosión tanto interno como externo y en caso de corrosión severa, el contador deberá ser sustituido.
- Utilizar disolventes sin alcohol para limpiar el contador.

1	Kenmerken .....	.25
2	Ontvangst van de MZ .....	.25
	2.1 Verpakking .....	.25
	2.2 OpslagStorage.....	.25
	2.3 Behandeling .....	.25
3	Installatie .....	.25
	3.1 Algemene opmerkingen.....	.25
	3.2 Aanbevolen installatie .....	.25
	3.3 Opstarten.....	.26
	3.3.1 Installatie met een klep aan de inlaatzijde.....	.26
	3.3.2 Installatie van kleppen in de inlaat of uitlaat leiding .....	.26
	3.3.3 Installatie van kleppen in de inlaat of uitlaat leiding .....	.26
4	Connectoren .....	.26
5	Onderhoud .....	.26
	5.1 Smering .....	.26
	5.2 Extern vochtfilter.....	.26
	5.3 Inspectie en reparatie .....	.27
6	Technische Informatie .....	.28



Houdt dit installatie-voorschrift toegankelijk voor alle gebruikers.

Respecteer alle nationale regels tav installatie, bediening en service van de gasmeters.

Alle goedkeuringen zijn alleen geldig zolang er geen significante structurele wijzigingen aan het apparaat worden aangebracht.

## 1 Kenmerken

Turbinegasmeters zijn stromingsmeters, ontworpen om verschillende niet-brandbare en niet-corrosieve gassen te meten. De gasstroom drijft het turbinewiel aan en de rotatiesnelheid van het turbinewiel is proportioneel met de lineaire snelheid van het gas. Deze omwentelingen worden mechanisch doorgegeven aan het telwerk door een magnetische koppeling.

Voor gedetailleerde informatie zie : Annex 1.

## 2 Ontvangst van de MZ

### 2.1 Verpakking

Iedere meter, afhankelijk van het type, wordt geleverd in een aparte doos of op een houten pallet. De verpakking bevat een contra connector voor de geïnstalleerde reedcontacten en olie in geval dat een oliepomp geïnstalleerd is.

### 2.2 Opslag Storage

Indien de meter niet direct gebruikt wordt, moet deze worden opgeslagen in een schone en droge omgeving. De afsluitdoppen op inlaat en uitlaatzijde van de meter dienen pas bij installatie van de meter verwijderd te worden. Opslag temperatuur: -40°C to +70°C

### 2.3 Behandeling

De meters moeten met zorg worden behandeld. Ophijzen van de meter alleen met hijsbanden om de „body“ of aan de hijsogen.

## 3 Installatie

### 3.1 Algemene opmerkingen

Zie Annex 2 en PED informatie in Annex 6

- De standaard MZ is ontworpen voor het meten van schone en niet-agressieve gassoorten. Voor het meten van agressieve gassen gaarne contact opnemen met Dresser Utility Solutions voor informatie over speciale uitvoeringen.
- De meter is ontworpen voor installatie in een ATEX-zone 0. Binnen het leidingnetwerk zijn alleen niet-ontvlambare gassamenstellingen toegestaan. Dat vereist

om ATEXredenen een inertisering voorafgaand aan het eerste gebruik met verbrandingsgassen. Hetzelfde geldt voor herinbedrijfname.

- Indien de meter is uitgevoerd met een oliepomp, dient het oliereservoir aangepast te zijn aan de meterpositie.
- (1) Voor installatie de meter controleren op eventuele beschadigingen ,ontstaan tijdens transport. Controleer voordat u de meter in de pijpleiding monteert of het turbinewiel soepel loopt door erop te blazen.
- (2) Niet lassen aan het leidingwerk bij een geïnstalleerde meter.
- (3) De meter moet ten allen tijde , spanningsvrij geïnstalleerd worden. De flenzen moeten goed uitgelijnd worden. Het max. aanhaalmoment van de bouten mag de in tabel vermelde waarden niet overschrijden (Nm):

M16	M20
85	170

Bouten gelijkmatig , bij voorkeur ruislings, aandraaien.

- (4) Om de nauwkeurigheid te waarborgen, dient de meter geïnstalleerd te worden met een recht inlaat pijpstuk van 3 DN.
- (5) Impulsgever aansluiting: Gasmeters worden vaak geïnstalleerd in gebieden met een gasrisiko. Daarom moet de elektrische verbinding met de gasmeter Ex gemarkeerd zijn of voldoen aan een gelijkwaardige toelating. De connectoraansluiting en de pulswaardes staan op de telwerkplaat.
- (6) Vervuiling in het gas zoals bv zand en laskorrels kunnen het turbinewiel beschadigen. Het gebruik van een zeef of filter wordt dringend aanbevolen.
- (7) Drukpulsen moeten tijdens het opstarten voorkomen worden, dit om het turbinewiel te beschermen. Om schade bij het opstarten te voorkomen, dient de drukverhoging langzaam met niet meer dan 0,3 bar per seconde plaats te vinden.

### 3.2 Aanbevolen installatie.

Turbinemeters zijn „stromingsmeters“ dit betekend dat de metrologie beïnvloedt kan worden door verstoringen, veroorzaakt door de gasstroom.

Een hogere meetnauwkeurigheid kan verkregen worden door de volgende regels te hanteren:

- Gebruik bij voorkeur bochtstukken met een grote radius (>5 DN) aan de inlaatzijde van de meter.
- Bij diameter variaties, svp altijd convigerend , divigerende pijpstukken gebruiken, voorkom het gebruik van verschillende diameters.
- Obstakel, zoals zakuisen, mogen niet uitsteken binnen een afstand van 2 DN in de aanstroomzijde van de meter.
- Pakkingen moeten op de juiste wijze (centrisch) worden gemonteerd en moeten niet uitsteken in de leiding.

### 3.3 Opstarten

#### 3.3.1 Installatie met een klep aan de inlaatzijde

Open de klep erg langzaam totdat de meter begint te lopen. Voer langzaam de druk op in de uitlaatzijde (max. 0,3 bar/sec). Als de druk aan de uitlaatzijde is gestabiliseerd, open de klep volledig.

#### 3.3.2 Installatie van kleppen in de inlaat of uitlaat leiding

Sluit de klep in de uitlaatleiding. Open de klep in de inlaatleiding langzaam (max.0,3 bar/sec). Als de druk in de meter is gestabiliseerd, open dan langzaam de klep aan de uitlaatzijde om de druk in de meter te handhaven en overbelasting te voorkomen.

#### 3.3.3 Installatie met een by-pass.

Sluit alle kleppen. Langzaam de by-pass openen en wachten tot de uitlaatdruk is gestabiliseerd. Vervolg dan als 3.3.2. Sluit de by pass.

## 4 Connectoren

De MZ kan optioneel uitgevoerd worden met 2 Laag Frequent (LF), Reed contacten en een anti-fraude schakelaar; met een inductief middel of hoog frequent (HF) pulscontact.

Een Cyble sensor kan ook op het telwerk aangebracht worden, zie Annex 3.

Opmerkingen voor het gebruik in mogelijk explosieve omgeving (ATEX):

- Puls contacten mogen alleen aangesloten worden op intrinsiek veilige systemen.
- Bij de installatie moet rekening worden gehouden met vrije ruimten en kruipwegen van de kabelconnector.
- Gebruik alleen een vochtige doek om de tegenkop te reinigen.
- Als een dun laagje roest vorming mogelijk is ( zwevend roest in de directe omgeving van de meter), moeten alle uitwendige aluminium delen dienovereenkomstig worden beschermd ( b.v. met een vernislaag).
- De meter dient geaard te worden
- Voor installatie, demontage of reparatie van de meter op lokatie, alleen gereedschap gebruiken wat is toegestaan voor explosieve omgeving.
- De meter mag niet blootgesteld worden aan : vuur, straling of geluidsgolven.
- Bij het bepalen van de omgevingstemperatuur moet rekening gehouden worden met andere warmtebronnen indien deze zich in de directe omgeving bevinden.

Voor pulsewaarden en maximale frequenties zie Annex 1. Voor elektrische gegevens en connector aansluitingen Annex 4. De bedrading van de contacten staat vermeld op het naamplaatje van de meter.

## 5 Onderhoud

Als de meter op de juiste wijze is geïnstalleerd en in gebruik genomen, heeft de MZ geen speciale aandacht nodig en garandeert een jarenlange goede werking.3.4 Smering

### 5.1 Smering

Meters voorzien van een oliepomp moeten periodiek gesmeerd worden.

Olie wordt met de meter meegeleverd. Er moet speciale olie gebruikt worden bv:

- Aeroshell fluid 12 MIL6085A
- Isoflex PDP38 (Klüber)
- Anderol 401D (Mobil Oil)
- Univis P38 (Shell)

Hoeveelheid olie per type:

a) Per meter type dient de in de tabel aangegeven olie hoeveelheid gevuld te worden.

DN	Oilie vol. (cm <sup>3</sup> )	Slagvolume
50/80	4	20
100	5	25
150/200	6	30

b) Bij service

DN	Oilie vol. (cm <sup>3</sup> )	Slagvolume
50/80	0,5	2-3
100	0,8	4
150/200	1,0	5

c) Aanbevolen smerings periode

Toepassing	smeerperiode
Droog gas , geen vuil	6 maanden
Gas met weinig condensaat en weinig stof	Maandelijks
Gas met een hoog percentage condensaat en stof. <b>BIOGAS toepassingen</b>	Wekelijks

### 5.2 Extern vochtfilter

De meter kan uitgevoerd worden met een (opschroefbaar) extern vochtfilter voor installatie in de buitenlucht. Het filter moet vervangen worden als de kleur is veranderd. Is dat het geval, schroef de oude los en schroef de nieuwe op het telwerk.

### 5.3. Inspektie en reparatie

Het is mogelijk om de Fluxi2000/TZ te controleren op goede werking door een zg „spintest“ uit te voeren. Deze test geeft informatie over eventuele wrijving van de lagers.

De test gaat als volgt :

- Turbinewiel laten draaien op 30 tot 50% van  $Q_{max}$  en meet de tijd tot het turbinewiel stopt.
- Vergelijk deze tijd met de aangegeven tijd in Annex 5.
- De volgende regels gelden in geval van reparatie:
- Reparaties moeten uitgevoerd worden door deskundig personeel. Naderhand dient een dichtheid test uitgevoerd te worden  $1,1 \times PS$  ( $P_{max}$ ).
- Bij vervanging van druklagers, altijd controleren of de juiste reservedelen conform de PED gebruikt worden.
- In geval van een nat gas, kan zowel intern als extern corrosie ontstaan . Vervang de meter.
- Gebruik vet en alcohol vrije reinigings producten

**Annex 0:** Applied standards for use in explosion hazardous areas / Normes appliquées pour une utilisation dans des zones à risque d'explosion/ Angewandte Normen für den Einsatz in explosionsgefährdeten Bereichen / Normas aplicadas para uso en áreas con riesgo de explosión/Norme applicate per l'uso in aree a rischio di esplosione

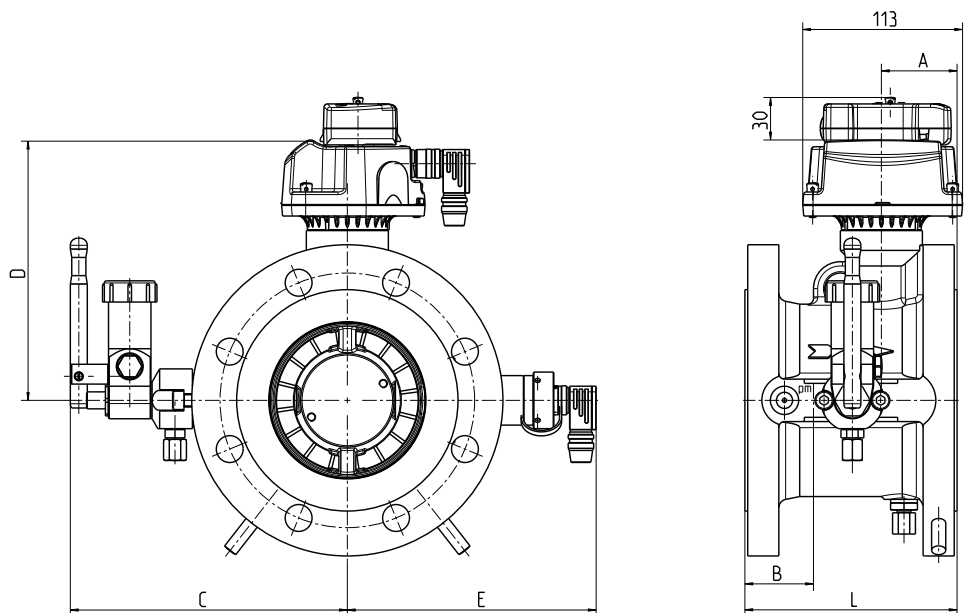
- EN IEC 60079-0:2018; IEC 60079-0 Edition 7; BS EN IEC 60079-0:2018
- EN 60079-11:2012; IEC 60079-11 Edition 6; BS EN 60079-11:2012
- EN ISO 80079-36:2016; ISO 80079-36 Edition 1; BS EN ISO 80079-36:2016
- EN ISO 80079-37:2016; ISO 80079 Edition 1; BS EN ISO 80079-37:2016

**Annex 1:** Characteristics / Caractéristiques / Technische Daten / Caratteristiche tecniche / Caracteristicas / Technische informatie

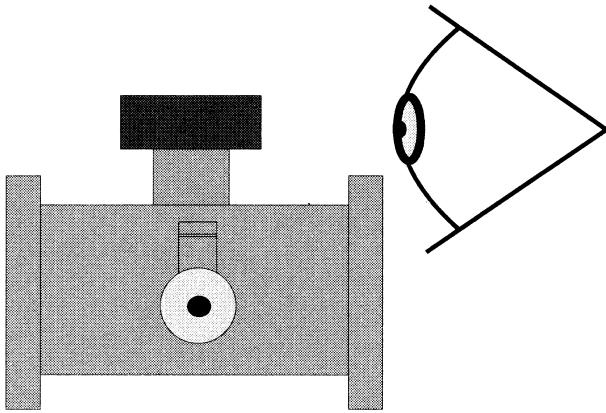
DN (mm)	Max Flow (m <sup>3</sup> /h)	Min Flow (m <sup>3</sup> /h)	Pressure loss (mbar) r = 0,8Kg/m <sup>3</sup>	1 Imp LF & Cyble (m <sup>3</sup> /Imp)	Freq LF Qmax (Hz)	With correction gears 32/40 (correction 0%)					
						1 Imp MF (dm <sup>3</sup> /Imp)	Freq MF Qmax (Hz)	1 Imp HF (dm <sup>3</sup> /Imp)	Freq HF Qmax (Hz)	RPM Qmax (Rot / min)	V PED (dm <sup>3</sup> )
50	100	6	8,1	0,1	0,28	5,27660	5,26	0,00868	3200	15999	0,1
80	160	10	2,0	1	0,04	23,07692	1,93	0,03797	1171	5853	0,5
	250	16	4,8		0,07	23,07692	3,01	0,03797	1829	9146	
	400	25	11,0		0,11	39,11111	2,84	0,06434	1727	8634	
100	250	16	2,0	1	0,07	23,07692	3,01	0,06271	1107	4153	1,1
	400	25	4,8		0,11	23,07692	4,81	0,06271	1772	6644	
	650	40	11,0		0,18	39,11111	4,62	0,10628	1699	6371	
150	650	40	1,5	1	0,18	23,07692	7,82	0,15385	1174	3521	3,6
	1000	65	4,3		0,28	23,07692	12,04	0,15385	1806	5417	
	1600	100	9,0		0,44	39,11111	11,36	0,26074	1705	5114	
200	1000	65	1,5	10	0,03	230,7692	1,2	0,37661	738	2213	7,3
	1600	100	4,3		0,04	230,7692	1,93	0,37661	1180	3540	
	2500	160	9,0		0,07	391,1111	1,78	0,63829	1088	3264	

Dimensions (mm) and weights

ISO PN 10 – ISO PN 40 / ANSI 150							
DN	L	A	B	C	D	E	Kg
50	60	15	18	156	160	163	4
80	120	35	34	173	180	176	10
ISO PN 10 – ISO PN 16 / ANSI 150							
100	150	54	28	209	180	186	19
150	200	71	48	238	225	216	33
200	200	69	43	273	250	277	85

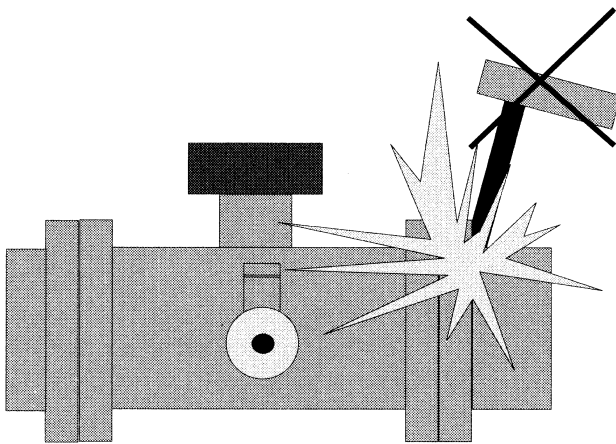


1



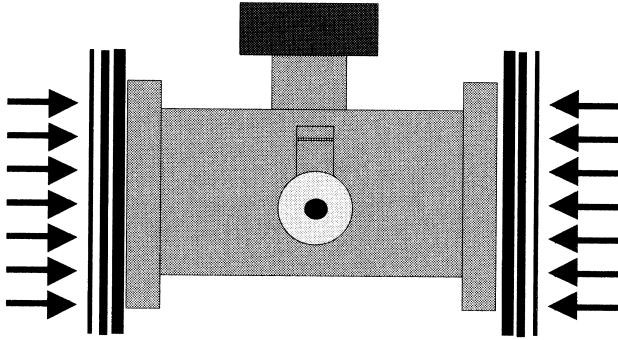
- Ⓓ Gerät auf einwandfreien Zustand überprüfen.
- Ⓔ Visual inspection.
- Ⓕ Contrôle visuel.
- Ⓖ Controllo visivo.
- Ⓔs Control visual del perfecto estado.
- Ⓓ Проверить устройство на его безупречное состояние.
- Ⓔhi 检查清楚.
- Ⓔko 장치의 정상상태를 점검하세요.

2



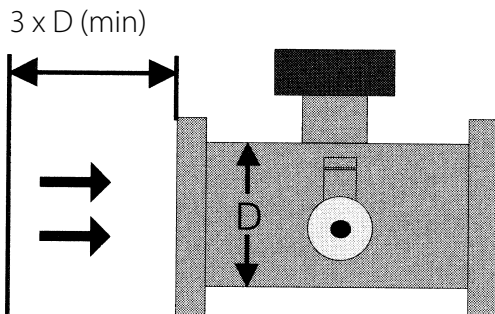
- Ⓓ Keine Schweißarbeiten bei dem installiertem Gerät vornehmen.
- Ⓔ No welding with installed meter.
- Ⓕ Pas de travaux de soudage compteur monté.
- Ⓖ Non effettuare saldature su contatore istallato.
- Ⓔs No efectuar trabajos de soldadura con el aparato instalado.
- Ⓓ Не проводить сварочных работ при включенном устройстве.
- Ⓔhi 禁止在安装后再加任何焊工.
- Ⓔko 설치된 장치에서 용접작업을 하지 마세요.

3



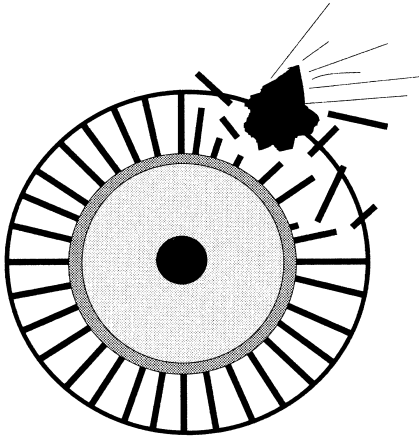
- Ⓓ Den Zähler spannungsfrei einbauen.
- Ⓔ Install meter tension free.
- Ⓕ Installation du compteur sans contraintes mécaniques.
- Ⓖ Istallazione del contatore evitando tensioni meccaniche.
- Ⓔs Instalar el contador evitando tensiones mecánicas.
- Ⓖ Смонтировать принадлежности, обеспечив обесточенное состояние.
- Ⓢ(Chi) 防止挤压现象.
- Ⓢ(Ko) 전원을 차단한 상태에서 카운터를 조립하세요.

4



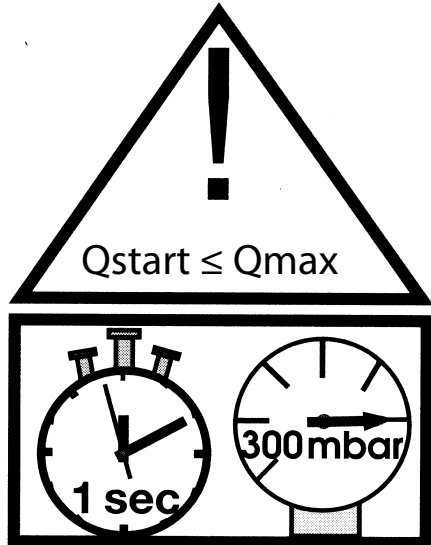
- Ⓓ Einlaufstrecke von mindestens 3 x D beachten
- Ⓔ Min. 3 x D for inlet distance
- Ⓕ 3 DN de longueur amont
- Ⓖ Min. 3 DN di lunghezza a monte
- Ⓔs Tener en cuenta la distancia de entrada mín. de 3 x D. -
- Ⓖ Соблюдать входной участок не менее 2 x D (подробности см. стр. 6).
- Ⓢ(Chi) 入口距离: 3 x 直径.
- Ⓢ(Ko) 입구간격을 최소한 직경의 2배로 설정하세요.  
입구간격을 최소한 직경의 3배로 설정하세요.

5



- Ⓓ Schmutzpartikel über 0,2 mm beschädigen das Turbinenlaufrad (im Zweifelsfall Anfahrtsiebe und zusätzliche Filter verwenden).
- Ⓔ Dirt particles above 0,2 mm do damage turbine wheel (use starting sieve and filter).
- Ⓕ Les particules de plus de 0,2 mm, peuvent endommager la turbine (utiliser tamis ou filtre).
- Ⓖ Le particelle di impurità superiori a 0,2 mm possono danneggiare la turbina (utilizzare appositi filtri).
- Ⓔs Partículas de suciedad de más de 0,2 mm dañan el rodete de la turbina (en caso de dudas, utilizar tamices y filtros adicionales).
- ⒼR Частицы грязи размером свыше 0,2 мм наносят повреждения рабочему колесу турбины (в случае сомнений использовать пусковые сетчатые и дополнительные фильтры).
- ⓈChi 杂质体积高於0.2mm, 会损坏轮叶。(必需安装过滤器)
- ⓈKo 크기가 2 밀리미터 이상인 먼지입자는 터빈 휠을 파손시킵니다. (필요한 경우에는 흡입부에 추가적인 필터를 사용하세요)

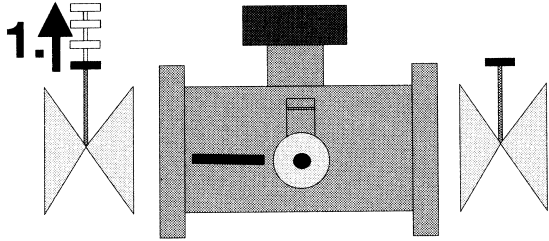
6



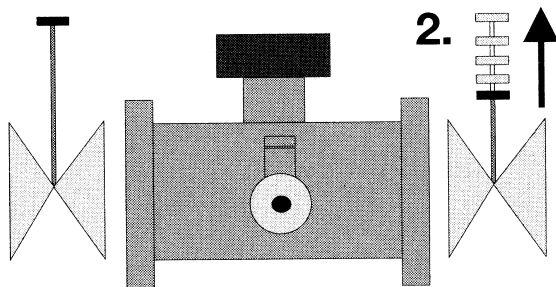
- Ⓓ Um Beschädigungen zu vermeiden, darf der Druckanstieg beim Anfahren 300 mbar pro Sekunden nicht überschreiten.
- Ⓔ In order to prevent damage, slowly increase the pressure below 300 mbar per second.
- Ⓕ Augmentation de pression maximum 0,3 bar par seconde.
- Ⓛ Per evitare danneggiamenti durante la fase di avviamento, l'aumento di pressione non deve superare i 300 mbar a secondo.
- Ⓔs Para evitar daños, el incremento de presión durante la fase de arranque no deberá exceder 300 mbar por segundo.
- ⒻR Во избежание повреждений повышение давления при пуске не должно превышать 300 мбар в секунду.
- ⒻChi 预防损坏仪表, 请在开阀加压时, 请保持每秒钟增加 300mbar 以下的水平.
- ⒻKo 파손을 방지하기 위하여 시동시 압력증가를 초당 300 mbar를 초과해서는 안됩니다.



7



8



- Ⓓ Inbetriebnahme durch langsames Öffnen der 1. Absperrarmatur (2. Armatur bleibt geschlossen).
- Ⓔ Starting up with opening inlet valve very slowly while outlet valve is kept close (1).
- Ⓕ Mise en gaz : ouverture lente de la vanne amont (1) vanne aval fermé.
- Ⓖ Messa in gas: Aprire lentamente la valvola di monte (1) con valvola di valle chiusa.
- Ⓔs Puesta en marcha abriendo lentamente la válvula de admisión (1), mientras que la válvula de salida (2) permanece cerrada.
- Ⓔr Ввод в эксплуатацию осуществляется посредством медленного открытия 1-й запорной арматуры (2-я арматура остается закрытой).
- Ⓔchi 先緩慢地开动入口閥。  
(出口閥尚关闭)
- Ⓔko 시운전은 첫 번째 입구 밸브를 아주 천천히 여는 것으로 시작하세요.  
(두 번째 밸브는 닫겨있습니다.)
- Ⓓ Nachdem die 2. Absperrarmatur langsam geöffnet wurde, ist der Zähler betriebsbereit.
- Ⓔ After opening very slowly the outlet valve, the meter installation is finished (2).
- Ⓕ Après ouverture lente de la vanne aval la mise en service est terminée.
- Ⓖ La messa in servizio è terminata dopo l'apertura lenta della valvola a valle.
- Ⓔs Después de abrir lentamente la válvula de salida (2), el contador estará listo para el servicio.
- Ⓔr После того, как была медленно открыта 2-я арматура, счетчик готов к эксплуатации.
- Ⓔchi 然后再緩慢地将出口打开，  
安装到此完毕。
- Ⓔko 두 번째 밸브가 천천히 열려진 후에 카운터는 작업상태에 있게 됩니다.

### ANNEX 3: Installation of the Cyble sensor

1) Mounting

2) Screwing (Max torque: 0,25 Nm)

3) Sealing



### ANNEX 4: Transmitters characteristics and plugging

Unless on the nameplate noted the following electrical parameter shall be considered:

Characteristics	Low Frequency Transmitter (reed contact)		High & Medium Frequency Transmitter (inductive)
	For Non ATEX products	For ATEX products ** intrinsically safe circuits	For ATEX products *** intrinsically safe circuits
Power rating	Max. 10 W	Max. 120 mW	Max. 64 mW
Voltage (Break-down)	Max. 180 V dc	Max. 15 V dc	Max. 15 V dc
Current (Switching)	Max. 50 mA	Max. 50 mA	Max. 50 mA
Capacitance and Inductance	C=0F, L=0H	C=0F, L=0H	C= 90nF, L = 250 µH
Operation temperature range	-30°C to +60°C	-30°C to +60°C	-30°C to +60°C

\*\* Following recommend values Low Frequency Pulse Transmitters do not have any potential sources of ignition and shall be not marked according to directive 2014/34/EU.

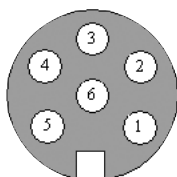
The device is free to be used in ATEX area as it is a simple apparatus as defined in EN 60079-11 §5.7.

\*\*\* Proximity detectors conform to EN60947-5-6 (NAMUR) standard.

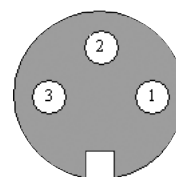
Characteristics	Low Frequency Transmitter (Cyble Module)
Contact power rating	Max. 1 W
Voltage (Break-down)	Max. 14.3 V dc
Current (Switching)	Max. 50 mA
Operation temperature range	-25°C to +55°C

Plugging of the meter (extern view of the socket installed on the meter)

LF, MF  
DIN45322



HF  
DIN41524



## ANNEX 5: Spin test time

DN	Minimum starting Speed (RPM)	Maximum starting Speed (RPM)	Spin Time (seconds) „Typical ST“	
			Platic turbine wheel	Alu turbine wheel
50	5000	8000	60	70
80	3000	5000	70	100
100	2000	3000	130	190
150	2000	3000	170	240
200	1000	2000	170	240

## ANNEX 6: PED information

	ISO PN10	ISO PN16	ISO PN20 ANSI150	ISO PN25	ISO PN40
PS (bar)	10	16	19,3	25	40
PT (bar)	15	24	30	38	60

TS=-30°C to +60°C / Volume PED: see Annex 1

**Dresser Utility Solutions GmbH**

Hardeckstr. 2  
76185 Karlsruhe  
T: +49 (0)721 / 5981 - 100  
info.karlsruhe@dresserutility.com



*© 2024 Dresser Utility Solutions GmbH – All rights reserved. Dresser Utility Solutions reserves the right to make changes in specifications and features shown herein, or discontinue the product described at any time without notice or obligation. Contact your Dresser Utility Solutions representative for the most current information. The Dresser Logo and all Trademarks containing the term "Dresser" are the property of Dresser, LLC, a subsidiary of Baker Hughes. Actaris™ is a trademark owned by Itron, Inc. and used under license.*