


FLUXI 2000/TZ

652-099-2025

AJ

Instruction manual
Mode d'emploi
Betriebsanleitung
Istruzioni d'uso
Manual de instrucciones
Installatie voorschrift
Kullanım Kılavuzu
Manual de Instruções
Használati kézikönyv
Návod k obsluze

EN	FR	DE	ES	IT	PT	HU
EU DECLARATION OF CONFORMITY	DECLARATION UE DE CONFORMITE	EU KONFORMITÄTS-ERKLÄRUNG	DECLARACIÓN UE DE CONFORMIDAD	DICHIARAZIONE DI CONFORMITÀ UE	DECLARAÇÃO UE DE CONFORMIDADE	EU-MEGFELELŐSÉGI NYILATKOZAT
Type Designation						
Gas meter: Turbine gas meter						
Name and address of the manufacturer	Nom et adresse du fabricant	Name und Anschrift des Herstellers	Nombre y dirección del fabricante	Nome ed indirizzo del fabbricante	Nome e endereço do fabricante	A gyártó neve és címe
Dresser Utility Solutions GmbH, Hardeckstraße 2, 76185 Karlsruhe, Germany						
This declaration of conformity is issued under the sole responsibility of the manufacturer.	La présente déclaration de conformité est établie sous la seule responsabilité du fabricant.	Die alleinige Verantwortung für die Ausstellung dieser Konformitätserklärung trägt der Hersteller.	La presente declaración de conformidad se expide bajo la exclusiva responsabilidad del fabricante.	La presente dichiarazione di conformità è rilasciata sotto la responsabilità esclusiva del fabbricante.	A presente declaração de conformidade é emitida sob a exclusiva responsabilidade do fabricante.	Ezt a megfelelőségi nyilatkozatot a gyártó kizárólagos felelőssége mellett adják ki.
Object of the declaration	Objet de la déclaration	Gegenstand der Erklärung	Objeto de la declaración	Oggetto della dichiarazione	Objecto da declaração	A nyilatkozat tárgya
TZ / Fluxi						
The object of the declaration described above is in conformity with the relevant Union harmonization legislation and the corresponding harmonized standards	L'objet de la déclaration décrit ci-dessus est conforme à la législation communautaire d'harmonisation applicable ainsi qu'aux normes harmonisées associées	Der oben beschriebene Gegenstand der Erklärung erfüllt die einschlägigen Harmonisierungsrechtsvorschriften der Gemeinschaft und den entsprechenden harmonisierten Normen	El objeto de la declaración descrita anteriormente es conforme a la legislación comunitaria de armonización pertinente y las normas armonizadas correspondientes	L'oggetto della dichiarazione di cui sopra è conforme alla pertinente normativa comunitaria di armonizzazione e alle corrispondenti norme armonizzate	O objecto da declaração acima mencionada está em conformidade com a legislação comunitária aplicável em matéria de harmonização e as correspondentes normas harmonizadas	A fent leírt nyilatkozat tárgya összhangban van a vonatkozó uniós harmonizációs jogszabályokkal és a megfelelő harmonizált szabványokkal
2014/32/EU (MID) -EN 12261:2002+A1:2006 -EN 12261:2018	OJ L 96, Page 149, 29.03.2014					
2014/68/EU (PED) -DIN EN 12261:2020 -EN 12261:2018 The used fluids are classified in group 1 according to article 13.	OJ L 189, Page 164, 27.04.2014	Module B + D (Category IV)				
2014/34/EU (ATEX) -EN IEC 60079-0:2018 -EN 60079-11:2012 -EN ISO 80079-36:2016 -EN ISO 80079-37:2016	OJ L 96, Page 309, 29.03.2014					
2014/30/EU (EMC) -EN 60947-5-6:2000 -EN 60947-5-2:2007/A1:2012 -EN IEC 60947-5-2:2020	OJ L 96, Page 79, 29.03.2014					
2011/65/EU (RoHS) updated delegated Directive 2015/863/EU -EN IEC 63000: 2018			OJ L 137, Page 10, 04.06.2015			
Certificates issued by the notified body	Certificats délivrés par l'organisme notifié	von der notifizierten Stelle ausgestellte Bescheinigungen	Certificados emitidos por el organismo notificado	Certificati rilasciati dall'organismo notificato	Certificados emitidos pelo organismo notificado	bejelentett szervezet által kiállított igazolások
PED	Module D	TÜV SÜD Industrie Service GmbH (CE 0036); Westendstr. 199, D-80686 München				
MID	Module B - Type approval Module D	DVGW CERT GmbH Josef-Wirmer-Str. 1-3 D-53123 Bonn Physikalisch-Technische Bundesanstalt (CE 0102) Bundesallee 100, D-38116 Braunschweig				
ATEX	Module B - Type approval Module D Module B - Type approval	Physikalisch-Technische Bundesanstalt Bundesallee 100, D-38116 Braunschweig TÜV SÜD Product Service GmbH (CE 0123), Ridlerstr. 65 D-80339 München Bureau Veritas Consumer Products Services Deutschland GmbH (CE 2004); Businesspark A96; D-86842 Türkheim				
Place and date of issue	Date et lieu d'établissement	Ort und Datum der Ausstellung	Lugar y fecha de expedición	Luogo e data del rilascio	Local e data da emissão	Kiállítás helye és dátuma
Karlsruhe, 18.06.2024						
Name, Function, Signature	Nom, Fonction, Signature	Name, Funktion, Unterschrift	Nombre, Cargo, Firma	Nome e cognome, Funzione, Firma	Nome, Cargo, Assinatura	Név, beosztás, aláírás
S. Corbière Quality Manager						

RO	NL	TR	KOR
DECLARAȚIA UE DE CONFORMITATE	EU VERKLARING VAN OVEREENSTEMMING	AB UYGUNLUK BEYANI	EU 적합성 선언

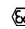
Numele și adresa producătorului	Naam en adres van de fabrikant	Üretici firmanın adı ve adresi	제조업체의 이름과 주소
---------------------------------	--------------------------------	--------------------------------	--------------

Această declarație de conformitate este emisă sub responsabilitatea exclusivă a producătorului.	Deze conformiteitsverklaring wordt verstrekt onder de verantwoordelijkheid van de fabrikant.	Bu uygunluk beyanı, tamamen üreticinin sorumluluğu altında düzenlenmiştir.	이 적합성 선언은 전적으로 제조업체의 책임하에 발행됩니다.
Obiectul declarației	Onderwerp van de verklaring	Beyannamenin amacı	선언의 대상

Obiectul declarației descrise mai sus este în conformitate cu legislația relevantă de armonizare a Uniunii și cu standardele armonizate corespunzătoare	Het onderwerp van de hierboven beschreven verklaring is in overeenstemming met de relevante harmonisatiewetgeving van de Unie en de overeenkomstige geharmoniseerde normen	Yukarıda açıklanan beyannamenin amacı, ilgili Birlik uyumlaştırma mevzuatına ve ilgili uyumlaştırılmış standartlara uygundur.	위에 설명된 선언의 목적은 관련 연합의 일치된 법규 및 일치된 해당 표준을 준수하는 것입니다.
---	--	---	--

CertIFICATE EMISE DE ORGANISMUL ACREDITAT	Certificaten afgegeven door de aangemelde instantie	onaylanmış kuruluş tarafından verilen sertifikalar	해당되는 경우, 인증 기관에서 발급한 인증서
---	---	--	--------------------------

DGR-0036-QS-955-23
CE-0085BM0417
DE-M-AQ-PTB009
DE-10-MI002-PTB001

 II 1G Ex h ia IIC T5 Ga

EPS 22 ATEX 1 269 X

Locul și data emiterii	Plaats en datum van uitgifte	Yayın Yeri ve tarihi	발행 장소 및 날짜
------------------------	------------------------------	----------------------	------------

Nume, funcție, semnătură	Naam, functie, handtekening	İsim, Fonksiyon, İmza	이름, 기능, 서명
--------------------------	-----------------------------	-----------------------	------------

1. Characteristics	5
2. Reception of the Fluxi 2000/TZ.	5
2.1. Packing	5
2.2. Storage	5
2.3. Handling	5
3. Installation	5
3.1. General recommendations.	5
3.2. Recommended installation.	5
3.3. Start up	6
3.3.1. Installation with only an upstream valve.	6
3.3.2. Installation with upstream and downstream valves.	6
3.3.3. Installation with a by-pass.	6
4. Transmitters.	6
5. Maintenance	6
5.1. Lubrication.	6
5.2. External silicagel cartridge	7
5.3. Inspection and repair	7
6. Annex44

Keep this manual easily accessible for all users. Please respect all national rules for installation, operation and service of gas meters. All approvals are only valid as long as no significant structural changes are made to the device.

1 Characteristics

Fluxi 2000/TZ meters are designed to measure gases of the 1st, 2nd and 3rd gas families as specified in EN437 as well as various filtered, not ignition-capable and non-corrosive gases.

Turbines gas meters are flow meters. The flow of gas turns a turbine wheel and the rotating speed of the turbine is proportional to the linear speed of the gas. The movement is mechanically transmitted to the totaliser through the magnetic coupling. Detailed characteristics are given in Annex 5.

2 Reception of the Fluxi 2000/TZ

2.1 Packing

The meter, depending on the size is delivered in an individual carton or on a wood pallet. The packaging contains the plugs for the installed transmitters and the lubricant when an oil pump is installed.

2.2 Storage

If the meter is not going to be used immediately, it should be stored under cover in a clean, dry environment. The caps fitted at the inlet and the outlet pipe must stay in place until installation. Storing temperature: -40°C to +70°C.

2.3 Handling

Meters should be handled with care. They must be lifted only with belts around the main body or in the eyelets.

3 Installation

3.1 General recommendations: See Annex 1 and the PED information in Annex 7.

- The standard model of Fluxi 2000/TZ is designed for use with clean and non-aggressive gases. For use with aggressive gases please contact Dresser Utility Solutions for special versions.
- The meter is designed for up to ATEX zone 0 environment. Whereas inside the installed meter only not ignitable gas compositions are allowed. That may require for an ATEX conform commissioning an inertization prior the initial use with combustion gases. Same applies to recommissioning.
- Check additionally ease of movement by blowing it on, prior to installation in the pipeline.

- When used in ATEX zone 0, aluminum components must be protected from friction or impact processes by rusty steel components by means of a suitable installation in order to prevent the generation of an ignition.
- (1) Before installation, check visually that the meter has not been damaged during transport.
- (2) Do NOT weld pipework with a meter installed.
- (3) The meter should be installed without stress in the pipework. The flanges must be correctly lined up. The tightening torque of the bolts must not exceed:

M16	M20	M24	M27	M30	M33	≥ M36
120 Nm	200 Nm	300 Nm	400 Nm	550 Nm	700 Nm	1200 Nm

- Please tighten bolts in opposite pairs. Flange gaskets of adequate quality must be used.
- (4) To ensure accuracy, the meter has to be installed with an inlet straight pipe of 2 DN minimum, no downstream restriction. See details in Annex 2.
- (5) If the meter is equipped with an oil pump, turn oil tank according to the installation position.
- (6) Transmitters connection: Gas Meters are often installed in areas where there is a risk that Gas will be present. Therefore, electrical connections to meters need to be made with consideration of the use of Ex marked equipment or otherwise approved circuits. For plug assignment and pulse values refer to the main nameplate.
- (7) Dirt particles may damage the turbine wheel therefore the use of starting sieve and filter are recommended.
- (8) Pressure pulses must be avoided during starting and operating to preserve the turbine wheel. To prevent damage during starting, increase the pressure slowly at less than 0,3 bar per second.

3.2 Recommended installation

Turbine meters are flow meters therefore their metrology can be affected by disturbances existing in the flow of gas.

The Fluxi 2000/TZ has been designed to have a low sensitivity to flow disturbance. It can be installed with a minimal straight upstream pipe length. No minimal straight pipe is requested for the downstream pipe. See all details in Annex 2.

An even better accuracy can be achieved by respecting the following rules:

- Use preferably elbows pieces with large radius (≥5 DN) to be installed at the inlet of the meter.
- For diameter variations, use preferably concentric convergent and divergent pieces; sudden changes must be avoided.
- Obstacles such as thermowells must not protrude in the pipe within 2 DN upstream of the meter. Gaskets should be correctly centered between the flanges and not protrude into the pipe.
- The built-in thermowells can be installed or removed without requiring a calibration of the meter.

3.3 Start up

3.3.1 Installation with only an upstream valve

Open the valve very slowly until the meter starts to operate. Increase slowly the pressure in the downstream pipe (max. 0,3 bar/second). When the downstream pressure is stabilised, open the valve completely.

3.3.2 Installation with upstream and downstream valves

Close the downstream valve. Open slowly the upstream valve (max. 0,3 bar/second). When the pressure is stabilised in the meter, open gently the downstream valve to maintain the pressure in the meter and to avoid overflow.

3.3.3 Installation with a by-pass

Close all valves. Slowly open the by-pass and wait until the downstream pressure is stabilised. Then proceed as §3.3.2. Close the bypass.

After start up, please check the pressure tightness of the installation. Check also that the maximum flow rate of the meter is not exceeded.

4 Transmitters

The Fluxi 2000/TZ is equipped as standard with 2 Low Frequency (LF), Reed switches and an anti-tampering switch (AT).

Transmitters installed as option:

- Inductive medium (MF) or high frequencies (HF) transmitters.
- A Cyble sensor can be installed onto the totaliser at any time, see Annex 3. The Cyble sensor is a bounce-free transmitter. It allows also the counting of eventual back flows.
- A mechanical drive designed according to EN 12661 can be fitted onto the totaliser, it may be used to drive removable accessories. Maximum torque applicable on the output shaft as indicated onto the device must be respected. When not used, the protection cap must remain in place.

Remarks about using the meter in potentially hazardous areas (ATEX):

- Pulse transmitters must be connected to intrinsic safe circuits.
- Clean the meter head only with a damp cloth.
- On installation side air and creep distances of the cable connector must be considered
- The meter must be taken in account in the lightning risk evaluation of the complete installation.
- Tools used for installing, removing or repairing the meter on site must be appropriate for use in the hazardous area bearing in mind that the hazardous area classification during meter replacement may differ from that during normal meter operations.

- The meter shall not be exposed to flame, ionising radiation, ultrasound or strong electromagnetic field.
- Ambient temperature conditions must be considered, including possible additional heating effects due to other devices in immediate vicinity.

Pulse values and maximum frequencies are given in Annex 5.

Electrical characteristics and wiring of the socket are given in Annex 4. The wiring of the transmitters is written on the nameplate of the meter.

Protection of sockets: When a transmitter is not used, the plastic cap must remain screwed to protect the electric contacts of the socket.

5 Maintenance

When properly installed and put into service, the Fluxi 2000/TZ needs no particular attention and will provide you with many years of satisfactory service.

5.1 Lubrication

Meters equipped with an oil pump have to be periodically lubricated.

Oil is delivered with the meter. Specific oil has to be used, for example:

- Aeroshell fluid 12 MIL6085A
- Isoflex PDP38 (Klüber)
- Anderol 401D (Mobil Oil)
- Univis P38 (Shell)
- Quantity of oil to be filled:

a) On commissioning to fill the volume between the pump and the bearings

DN	Oil vol. (cm ³)	Push
50/80	4	20
100	5	25
150/200	6	30
≥250	7	35

b) In Service

DN	Oil vol. (cm ³)	Push
50/80	0,5	2-3
100	0,8	4
150/200	1,0	5
≥250	1,2	6

c) Recommended lubrication periodicity

Application	Lubrication periodicity
Dry gas, no dust	6 months
Gas comprising light condensates and little dust	Monthly
Gas with high percentage of condensates and dust BIOGAS applications	Weekly

5.2 External silicagel cartridge

The meter can be equipped with an external silicagel cartridge for installation in severe environment conditions. To replace the cartridge, unscrew the old cartridge, remove the protective plug of the new cartridge and screw it into the totaliser.

5.3 Inspection and repair

The proper installation and functioning of the meter can be verified by a visual control of the totaliser (to check that the meter runs properly). It is possible to check the good functioning of the Fluxi 2000/TZ by applying a spin test. This test will give information about eventual friction in the turbine ball bearings.

The test has to be conducted as follow:

- Accelerate the turbine wheel around 30 to 50% of Q_{max} then to measure the time until the turbine wheel stops.
- Measure the spin time (ST) until the turbine wheel stops.

See Annex 6 for typical values of spin time.

The following recommendations have to be observed for repair:

- In case of use with aggressive or dangerous gas, it may be necessary to send a safety statement with the meter, detailing the type of Gas that has been measured.
- Some gas may still be present inside the meter and the pipe; therefore sufficient ventilation is required.
- Repairs and maintenance must be done by trained or qualified personal. Afterwards a tightness test with $1.1 \times PS$ (P_{max}) must be performed.
- When changing pressure-bearing parts, ensure that spare parts that comply with the PED are used.
- The right spare parts are traced by providing the serial number of the meter to Dresser Utility Solutions.
- If used with wet gas, internal and external effect of corrosion has to be checked regularly and in case of severe corrosion, the meter must be replaced.
- Use solvent and alcohol free cleaning product to clean the meter.

1. Caractéristiques	9
2. Réception du Fluxi 2000/TZ	9
2.1. Emballage	9
2.2. Stockage	9
2.3. Manutention	9
3. Installation	9
3.1. Recommandations générales	10
3.2. Installation recommandée	10
3.3. Mise en service	10
3.3.1. Installation avec uniquement une vanne amont	10
3.3.2. Installation avec vannes amont et aval	10
3.3.3. Installation avec by-pass	10
4. Emetteurs d'impulsions	10
5. Entretien	11
5.1. Lubrification	11
5.2. Cartouche silicagel externe	11
5.3. Inspection et réparation	12
6. Annexes	44

Attention : ce produit est un équipement sous pression: le non respect des instructions peut entraîner un danger pour la sécurité des biens et des personnes.

Dresser Utility Solutions GmbH, fabricant du compteur, décline toute responsabilité dans le cas du non respect de la totalité des points du présent mode d'emploi qui doit accompagner le compteur pendant toute sa durée de vie.

Se rapprocher et demander l'accord écrit du fabricant pour tous les cas non prévus dans la présente notice d'instructions.

Veuillez respecter toutes les réglementations nationales pour l'installation, l'utilisation et la maintenance des compteurs de gaz.

Toutes les approbations sont valables tant qu'aucune modification structurelle significative ne soit apportée au produit.

1 Caractéristiques

Les compteurs Fluxi 2000/TZ sont conçus pour mesurer les gaz des 1er, 2eme et 3eme familles comme définies dans l'EN437 ainsi que de nombreux gaz filtrés, non inflammables et non corrosifs.

Les compteurs à turbine sont des compteurs de vitesse. Le flux de gaz fait tourner la turbine dont la vitesse de rotation est proportionnelle à la vitesse linéaire du gaz. Le mouvement est transmis mécaniquement au totalisateur par l'intermédiaire d'une commande magnétique.

Les caractéristiques détaillées sont données en Annexe 5.

2 Réception du Fluxi 2000/TZ

2.1 Emballage

Le compteur, en fonction de sa taille est livré dans un carton individuel ou sur une palette. L'emballage contient les connecteurs pour les émetteurs d'impulsions installés et le lubrifiant lorsque le compteur est équipé d'une pompe à huile.

2.2 Stockage

Si le compteur n'est pas utilisé immédiatement, il doit être stocké sous protection dans un lieu sec et propre. Les opercules installés sur les brides doivent rester en place jusqu'à l'installation du compteur. Température de stockage : -40°C à +70 °C.

2.3 Manutention

Le compteur doit être manutentionné avec attention. Il doit être manipulé à l'aide de câbles passés sous le corps ou dans les anneaux de levage uniquement.

3 Installation

Le compteur doit impérativement être installé dans un environnement dont les conditions limites (en particulier pression, température, débit,...) sont compatibles avec ses caractéristiques propres indiquées sur la plaque signalétique.

3.1 Recommandations générales : Voir Annexe 1 et l'information PED en annexe 7.

- Le Fluxi 2000/TZ en version standard est conçu pour mesurer des gaz propres et non agressifs. Pour une utilisation avec des gaz agressifs veuillez contacter Dresser Utility Solutions pour des versions spéciales.
- Le compteur est prévu pour une installation jusqu'en zone 0 selon l'ATEX, alors que gaz à l'intérieur du compteur doit avoir une composition non inflammable. Ceci peut nécessiter pour une mise en route conforme à l'ATEX un inertage avant utilisation avec un gaz combustible. Cet inertage est aussi nécessaire pour toutes mises en route ultérieures.
- Avant l'installation du compteur, vérifier sa rotation libre et sans friction. Cela peut s'effectuer en soufflant dans l'appareil.
- Lorsque des pièces en aluminium sont utilisés en zone 0 selon l'ATEX, ils doivent être protégés des processus de frottement ou d'impact de composants en acier rouillés au moyen d'une installation appropriée afin d'éviter une inflammation.
- (1) Avant l'installation, vérifier visuellement que le compteur n'a pas été endommagé durant le transport.
- (2) Ne pas souder sur la canalisation lorsque le compteur est monté.
- (3) Le compteur doit être monté sans contraintes excessives dans la canalisation. Les brides doivent être correctement alignées. Le couple de serrage des boulons utilisés pour les brides ne doit pas excéder (Nm):

M16	M20	M24	M27	M30	M33	≥ M36
120 Nm	200 Nm	300 Nm	400 Nm	550 Nm	700 Nm	1200 Nm

- Veuillez serrer les boulons au couple en croix. Des joints d'étanchéité d'une qualité adaptée doivent être utilisés.
- (4) Pour assurer une bonne précision de mesure, le compteur doit être monté avec une longueur droite amont de 2 DN minimum, il n'y a pas de restriction pour l'aval. Voir les détails en Annexe 2.
- (5) Si le compteur est équipé d'une pompe à huile, veuillez orienter son réservoir en fonction de l'orientation du compteur dans le poste.
- (6) Connexion des émetteurs d'impulsions : Les compteurs de gaz peuvent être installés dans des zones où du gaz risque d'être présent. C'est pourquoi les connexions électriques ne doivent être effectuées qu'avec du matériel approuvé de sécurité intrinsèque. La connexion des broches est indiquée sur la plaque

signalétique du compteur.

- (7) Les poussières et particules peuvent endommager la turbine. L'utilisation de tamis et de filtre est recommandée.
- (8) Les coups de pression durant la phase de démarrage et en service doivent être évités de manière à ne pas endommager la turbine. Durant la mise en service, la pressurisation ne doit pas excéder 0,3 bar par seconde.

3.2 Installation recommandée

Les compteurs à turbine sont des compteurs de vitesse par conséquent leur métrologie peut être influencée par des perturbations existant dans le flux de gaz.

Le Fluxi 2000/TZ a été conçu de manière à être peu sensible aux perturbations. Il peut être installé avec une longueur droite amont minimale. Aucune longueur droite aval n'est requise. Voir les détails en Annexe 2.

Une précision de mesure optimale sera obtenue en respectant les recommandations suivantes :

- Pour les coudes placés à l'amont du compteur, utiliser préférentiellement des éléments ayant un rayon important (≥ 5 DN).
- Pour des changements de diamètres, utiliser des convergents et divergents concentriques. Les changements brusques doivent être évités.
- Des obstacles tels que des doigts de gant ne doivent pas être placés à l'amont du compteur à moins de 2 DN. Les joints plats doivent être correctement centrés entre les brides et ne doivent pas dépasser à l'intérieur de la canalisation.
- Les doigts de gant intégrés au compteur peuvent être installés ou enlevés sans qu'un étalonnage du compteur ne soit nécessaire.

3.3 Mise en service

3.3.1 Installation avec uniquement une vanne amont

Ouvrir très lentement la vanne jusqu'à ce que le compteur commence à tourner. Laisser monter lentement la pression dans la canalisation aval (max. 0,3 bars/seconde). Ouvrir la vanne complètement lorsque la pression est stabilisée.

3.3.2 Installation avec vannes amont et aval

Fermer la vanne aval. Ouvrir très lentement la vanne amont (max. 0,3 bars/seconde). Quand la pression est stabilisée dans le compteur, ouvrir lentement la vanne aval de manière à maintenir la pression dans le compteur et à éviter un surdébit.

3.3.3 Installation avec by-pass

Fermer toutes les vannes. Ouvrir lentement la vanne de

by-pass et attendre que la pression aval soit stabilisée.

Procéder comme au §3.3.2. Fermer le by-pass.

Après la mise en service, veuillez vérifier l'étanchéité de l'installation. Vérifiez aussi que le débit maximum du compteur ne soit pas dépassé.

4 Emetteurs d'impulsions

Le Fluxi 2000/TZ est équipé en standard avec 2 émetteurs basse fréquence (BF) de type Reed et d'un anti-fraude (SL).

Emetteurs installés en option :

- Emetteurs inductifs à moyenne (MF) ou hautes fréquences (HF).
- Un module Cyble peut aussi être fourni monté sur le totalisateur ou bien installé ultérieurement, voir l'Annexe 3. Le module Cyble est un émetteur éliminant tout risque de faux rebond. Il permet aussi de décompter un débit inverse éventuel.
- Une sortie mécanique conforme à l'EN 12661 permet d'entraîner des équipements externes. Le couple maximum applicable sur l'axe de sortie, indiqué sur l'appareil ne doit pas être dépassé. Si cette sortie n'est pas utilisée, le bouchon de protection doit rester en place.

Instructions pour utilisation en atmosphères potentiellement explosives (ATEX) :

- Les émetteurs d'impulsions ne doivent être raccordés qu'à des appareils homologués de sécurité intrinsèque.
- Nettoyer le totalisateur uniquement avec un chiffon humide.
- Côté montage, il faut tenir compte des distances d'isolement dans l'air et des lignes de fuite du connecteur de câble.
- Le compteur doit être pris en compte dans l'évaluation du risque de foudre de l'ensemble de l'installation.
- Pour le montage, démontage ou réparation sur site du compteur, uniquement des outils autorisés d'emploi en zone explosive peuvent être utilisés.
- Le compteur ne doit pas être exposé aux flammes, radiations ionisantes, ultrasons ou à des champs électromagnétiques puissants.
- Les conditions de température ambiante doivent être prises en compte, y compris les éventuels effets de chauffage supplémentaires dus à d'autres dispositifs à proximité immédiate.

Les poids d'impulsions et les fréquences maximales sont donnés en Annexe 5.

Les caractéristiques électriques et le câblage des embases sont donnés en Annexe 4. La connexion des broches est indiquée sur la plaque signalétique du compteur.

Protection des embases : Si un émetteur n'est pas utilisé, le bouchon de protection doit rester vissé sur l'embase de manière à protéger les contacts électriques.

5 Entretien

Lorsque le Fluxi 2000/TZ est correctement installé et mis en service, il n'exige aucune attention particulière et il assurera sa fonction durant de nombreuses années.

5.1 Lubrification

Les compteurs équipés de pompe à huile doivent être périodiquement lubrifiés.

Le lubrifiant est fourni avec le compteur. Une huile spécifique doit être utilisée telles que :

- Aeroshell fluid 12 MIL6085A
- Isoflex PDP38 (Klüber)
- Anderol 401D (Mobil Oil)
- Univis P38 (Shell)

Quantité d'huile à injecter :

a) Lors de la mise en service pour remplir le volume compris entre la pompe et les roulements.

DN	Vol. (cm ³)	Coups de pompe
50/80	4	20
100	5	25
150/200	6	30
≥250	7	35

b) En fonctionnement

DN	Vol. (cm ³)	Coups de pompe
50/80	0,5	2-3
100	0,8	4
150/200	1,0	5
≥250	1,2	6

c) Périodicité de lubrification recommandée

Application	Périodicité de lubrification
Gaz sec, sans poussière	6 mois
Gaz avec condensats légers, peu de poussière	1 mois
Gaz avec forts condensats, beaucoup de poussière Applications BIOGAZ	1 semaine

5.2 Cartouche silicagel externe

Le Fluxi 2000/TZ peut être équipé en option d'une cartouche silicagel externe pour les installations dans les environnements difficiles. Pour remplacer la cartouche, dévisser l'ancienne, enlever l'opercule de protection de la nouvelle et la revisser dans le totalisateur.

5.3 Inspection et réparation

Le bon fonctionnement du Fluxi 2000/TZ peut être vé-

rifié par un contrôle visuel du totalisateur (pour vérifier que le compteur tourne correctement). Il est possible de vérifier le bon fonctionnement du compteur en appliquant un « spin test ». Ce test mettra en évidence d'éventuels frottements dans les roulements de turbine. Le test doit être réalisé de la manière suivante :

- Lancer la roue de turbine entre environ 30 et 50% de son Q_{max}.
- Mesurer ensuite le temps nécessaire à l'arrêt complet de la turbine (ST).

Voir les temps d'arrêt typiques en Annexe 6.

Les instructions suivantes doivent être respectées pour les réparations :

- Toute opération portant à modifier la définition initiale du compteur est interdite. Aucune opération de type soudage, meulage, perçage, usinage, gravage, coupe, chauffe, et équivalents ne doivent pas être effectuées sur le compteur.
- En cas d'utilisation avec un gaz agressif ou dangereux, il peut être utile de joindre au compteur une fiche de sécurité décrivant le type de gaz mesuré.
- Du gaz peut rester dans le compteur ou la canalisation, c'est pourquoi une ventilation suffisante est nécessaire.
- La réparation et la maintenance ne doivent être effectuées que par du personnel Dresser Utility Solutions ou agréé par Dresser Utility Solutions. Après réparation, un essai d'étanchéité à 1,1 x PS (P_{max}) doit être effectué.
- Lorsque une pièce sous pression est changée, il faut s'assurer que la pièce de rechange est conforme à la PED.
- Pièces détachées : Les références des pièces détachées peuvent être définies soit en fournissant le numéro de série à Dresser Utility Solutions.
- En cas d'utilisation avec des gaz humides, les effets de la corrosion doivent être périodiquement vérifiés. En cas de corrosion importante, le compteur doit être remplacé.
- Utiliser un produit sans solvant ni alcool pour nettoyer le compteur.
- Seules les interventions effectuées par Dresser Utility Solutions pourront être garanties.

1. Funktionsprinzip	13
2. Grundsätzliches zu Fluxi 2000/TZ	13
2.1. Verpackung	13
2.2. Lagerung	13
2.3. Handhabung	13
3. Installation	13
3.1. Allgemeine Empfehlungen	13
3.2. Besonderheiten zur Installation	13
3.3. Inbetriebnahme.	14
3.3.1 Installationen mit Absperrventil vor dem Zähler	14
3.3.2 Installationen mit Absperrventil vor und hinter dem Zähler	14
3.3.3 Installation mit By-Pass	14
4. Impulssysteme	14
5. Instandhaltung	14
5.1. Schmierung	14
5.2. Externe Silikageltrockenpatrone	15
5.3. Überprüfung und Reparatur	15
6. Technische Daten	44

Bewahren Sie dieses Dokument so auf, dass für alle Nutzer jederzeitiger Zugriff gewährleistet ist. Bitte beachten Sie alle nationalen Regeln und Vorschriften für Installation, Betrieb und Betriebsunterhaltung für Gasmessgeräte. Alle Zulassungen sind nur gültig, solange keine wesentlichen baulichen Veränderungen am Gerät vorgenommen werden.

1 Funktionsprinzip

Der Fluxi 2000/TZ eignet sich zur Messung aller Gase der 1., 2. und 3. Gasfamilie (entspricht EN437), sowie allen anderen gefilterten, nicht zündfähigen und nicht korrosiven Gasen. Turbinenradgaszähler sind Durchflussmessgeräte. Durch den Gasfluss wird ein auf einer Welle befestigtes Turbinenrad in Rotation versetzt. Die Drehzahl verhält sich proportional zur linearen Strömungsgeschwindigkeit des Gases. Die Bewegung des Rades wird mechanisch über eine Magnetkupplung in den Zählerkopf auf ein Zählwerk übertragen.

Weitere technische Details finden sie in Anhang 5.

2 Grundsätzliches zu Fluxi/TZ

2.1 Verpackung

Der Zähler wird in Abhängigkeit der Nennweite in individuellen Kartonagen oder auf Holzpaletten geliefert. In der Verpackung befinden sich auch die Stecker für die eingebauten Impulssysteme sowie das Zähleröl für die Ausführungen mit Ölpumpe.

2.2 Lagerung

Falls der Zähler nicht zum sofortigen Einsatz kommt, sollte er in einem trockenen, sauberen Raum gelagert werden. Die Flanschabdeckungen erst unmittelbar vor der Installation entfernen. Lagertemperatur: -40°C bis +70°C.

2.3 Handhabung

Zähler sollten mit Sorgfalt behandelt werden. Das Anheben darf nur mit Gurten um das Zählergehäuse oder an den Halteösen vorgenommen werden.

3 Installation

3.1 Allgemeine Empfehlungen: siehe Anhang 1 und „PED information“ in Anhang 7.

- Der Standard-Turbinenradgaszähler ist konzipiert für saubere, nicht-aggressive Gase. Für einen Einsatz mit aggressiven Gasen nehmen sie bitte Kontakt mit Dresser Utility Solutions auf, wir bieten Ihnen Spezialausführungen an.
- Der Zähler ist für Installationen in bis zu ATEX-Zone 0

vorgesehen. Wobei innerhalb des installierten Zählers nur nicht zündfähige Gaszusammensetzung zulässig sind. Eine ATEX-konforme Inbetriebnahme kann eine Inertisierung vor der ersten Inbetriebnahme mit Brenngasen erfordern. Gleiches gilt für die Wiederinbetriebnahme.

- Vor der Montage des Zähler in die Rohrleitung ist der Leichtlauf durch Anblasen zu prüfen.
- Bauteile in Aluminium sind bei der Verwendung in ATEX Zone 0 vor Reib- oder Schlagvorgängen durch rostbehaftete Stahlbauteile mittels einer geeigneten Installation zu schützen, um eine Erzeugung von Funken zu verhindern.
- (1) Überprüfen sie das Gerät vor der Installation auf Transportschäden.
- (2) Nehmen sie KEINE Schweißarbeiten an Leitungen mit eingebauten Zählern vor.
- (3) Der Zähler muss ohne Rohrleitungsspannungen installiert werden. Die Flansche müssen korrekt ausgerichtet sein. Die Drehmomente der Schrauben dürfen die angegebenen Werte nicht überschreiten:

M16	M20	M24	M27	M30	M33	≥M36
120 Nm	200 Nm	300 Nm	400 Nm	550 Nm	700 Nm	1200 Nm

- Schrauben bitte über Kreuz festziehen. Benutzte Flanschdichtungen müssen von ausreichender Qualität sein.
- (4) Um die Messgenauigkeit sicherzustellen, muss der Zähler mit einer Einlaufstrecke von mindestens 2 DN eingebaut werden, eine Auslaufstrecke ist nicht erforderlich. Mehr Details in Anhang 2.
- (5) Wenn der Zähler mit einer Ölpumpe ausgestattet ist, drehen Sie den Ölbehälter gemäß der Einbaulage.
- (6) Anschlüsse für Impulsgeber: Turbinenradgaszähler sind häufig in explosionsgefährdeten Räumen installiert. Deshalb ist bei Anschluss der Impulssysteme die mit „Ex“ gekennzeichnete oder anderweitig genehmigte Ausrüstung zu benutzen. Anschlussplan und Impulswerte sind auf dem Typenschild vermerkt.
- (7) Schmutzpartikel können das Turbinenrad beschädigen. Wir empfehlen deshalb den Einbau von Filteranlage und Anfahrtsieb vor dem Zähler.
- (8) Druckstöße während der Inbetriebnahme oder der Betriebsphase können das Messgerät beschädigen. Um Schäden beim Befüllen der Leitung zu vermeiden, sollte der Druckanstieg kleiner als 0,3 bar pro Sekunde sein.

3.2 Besonderheiten zur Installation

Turbinenradgaszähler sind Durchflussmessgeräte und deshalb in ihrer Messgenauigkeit beeinflussbar durch Turbulenzen im Gaststrom.

Der Fluxi 2000/TZ ist so konzipiert, dass er ziemlich unempfindlich gegen Störungen im Strömungsprofil ist. Das Gerät kann mit kurzer Einlaufstrecke und ohne Auslaufstrecke installiert werden. Details siehe Anhang 2.

Optimale Messgenauigkeit kann bei Einhaltung fol-

gender Regeln erreicht werden:

- Bevorzugen Sie Leitungsbögen mit großem Radius (≥ 5 DN) vor dem Zähler.
- Bei Querschnittsänderungen der Rohrleitung sind Reduzierungen oder Erweiterungen in konzentrischer Form zu verwenden. Plötzliche Querschnittsänderungen sind zu vermeiden.
- Störkörper für die Gasströmung sind innerhalb 2 DN hinter dem Messgerät zu vermeiden (z. B. Tauchhülsen etc.). Flanschdichtungen sollten zentrisch montiert sein, damit kein Einfluss auf den Gasstrom genommen wird.
- Ein- und Ausbau der integrierten Tauchhülsen hat keinen Einfluss auf die Eichung.

3.3 Inbetriebnahme

3.3.1 Installationen mit Absperrventil vor dem Zähler

Ventil sehr langsam öffnen, bis der Zähler anläuft. Langsamer Druckaufbau in der zu befüllenden Leitung (max 0,3 bar/sec). Erst wenn das Druckniveau ausgeglichen ist, Absperrventil vollständig öffnen.

3.3.2 Installationen mit Absperrventil vor und hinter dem Zähler

Ausgangsventil schließen. Eingangsventil langsam öffnen (max 0,3 bar/sec). Wenn im Zähler der Druck aufgebaut ist, langsam und kontrolliert das Ausgangsventil öffnen, sodass das Druckniveau erhalten bleibt und der Zähler nicht überlastet wird.

3.3.3 Installation mit By-Pass

Alle Absperrventile schließen. By-Pass-Ventil langsam öffnen und Druck in der Leitung hinter dem Zähler aufbauen. Im Weiteren wie §3.3.2, anschließend By-Pass schließen.

Nach der Inbetriebnahme Dichtheit der Gesamtanlage prüfen. Zusätzlich sicherstellen, dass die maximale Durchflussrate des Zählers nicht überschritten wird.

4 Impulssysteme

Der Turbinenradgaszähler Fluxi 2000/TZ ist standardmäßig mit 2 Niederfrequenzimpulsgebern und einem Antimanipulationskontakt ausgestattet.

Optional installierte Impulsgeber:

- Induktive Mittel- oder Hochfrequenzimpulsgeber.
- Anbau eines Cyble-Sensors an den Zählerkopf, siehe Anhang 3. Der Cyble-Sensor ist ein prellfreier Impulsgeber. Er ermöglicht auch das Zählen eventueller

Rückflüsse.

- Ein mechanischer Antrieb (nach EN 12661) zum Anbau von Zusatzkomponenten kann an den Zählerkopf ausgerüstet werden. Das maximale Anziehdrehmoment (auf dem Gerät abgebildet) muss beachtet werden. Wenn er nicht verwendet wird, bleibt der Antrieb durch eine Schutzkappe verschlossen.

Hinweise für den Ex-Einsatz (ATEX):

- Die Impulsgeber dürfen nur an eigensichere Stromkreise angeschlossen werden.
- Der Zähler ist nur mit einem feuchtem Tuch zu reinigen.
- Einbauseitig müssen Luft- und Kriechstrecken des Kabelsteckers berücksichtigt werden.
- Der Zähler muss in der Blitzschutzbetrachtung der gesamten Installation berücksichtigt werden.
- Für Ein-/Ausbau von Geräten bzw. deren Reparatur vor Ort, dürfen nur die Werkzeuge die für die betreffende Ex-Zone zugelassen sind, verwendet werden. Achtung: die Einstufung der Ex-Zone während dem Austausch der Geräte kann sich von der Einstufung während eines normalen Betriebes unterscheiden.
- Geräte dürfen nicht Flammen, ionisierter Strahlung, Ultraschall oder starken elektro-magnetischen Wellen ausgesetzt werden.
- Sofern zusätzliche Wärmequellen in der direkten Umgebung vorhanden sind, müssen diese bei der Betrachtung der Umgebungstemperatur beachtet werden.

Impulswerte und Maximalfrequenzen sind in Anhang 5 angegeben. Elektrische Anschlusswerte stehen in Anhang 4. Die Steckerbelegung wird an jedem Gerät auf dem Typenschild angegeben. Schutz der Anschlussbuchse: Wenn kein Impulsgeber gebraucht wird, muss die Plastik Kappe angeschraubt bleiben, um die elektrischen Kontakte der Anschlussbuchse zu schützen.

5 Instandhaltung

Bei fachgerechtem Einbau und Wartung haben Sie mit dem Fluxi 2000/TZ ein Messgerät im Einsatz, welches über viele Jahre zu ihrer Zufriedenheit arbeiten wird.

5.1 Schmierung

Zähler, die mit einer Ölpumpe ausgerüstet sind, müssen regelmäßig nachgeölt werden. Spezielles Öl wird mit dem Zähler geliefert.

Zulässig sind:

- Aeroshell fluid 12 MIL6085A
- Isoflex PDP 38 (Klüber)
- Anderol 401D (Mobil Oil)
- Univis P38 (Shell)

Füllmenge:

a) Erstbefüllung des Volumens zwischen Ölbehälter und Kugellager

DN	Öl Vol. (cm ³)	Hübe
50/80	4	20
100	5	25
150/200	6	30
≥250	7	35

b) Nachölung

DN	Öl Vol. (cm ³)	Hübe
50/80	0,5	2-3
100	0,8	4
150/200	1,0	5
≥250	1,2	6

c) Nachölfrieten

Kriterien	Zeitperiode
Trockenes Gas, ohne Staub	6 Monate
Gas mit wenig Kondensat und geringem Schmutz	monatlich
Gas mit viel Kondensat und starkem Schmutz Biogas Anwendungen	wöchentlich

5.2 Externe Silikageltrockenpatrone

Der Zähler kann für Einsatzfälle unter schwierigen Umgebungsbedingungen mit einer externen Silikagelpatrone ausgestattet werden. Um eine neue Patrone einzusetzen, bitte die verbrauchte Patrone herausschrauben, Schutzkappe der neuen Patrone entfernen und im Zählerkopf einschrauben.

5.3 Überprüfung und Reparatur

Die richtige Installation und Funktionsfähigkeit kann durch visuelle Kontrolle des Zählerkopfes nachgeprüft werden (zur Kontrolle der Zählerfunktion). Es gibt die Möglichkeit, die Funktionsfähigkeit des Messgerätes durch einen Spin-Test zu kontrollieren. Dadurch erhält man eine Information über eine mögliche Reibung der Kugellager.

Der Test kann folgendermaßen durchgeführt werden:

- Beschleunigen Sie das Turbinenrad auf einen Wert von 30 – 50 % von Q_{max} und messen dann die Zeit bis das Laufrad stehen bleibt.
- Messen sie die Zeit in Sekunden (Spin-Zeit) bis das Laufrad stoppt.

In Anhang 6 sind typische Spin-Zeiten genannt.

Folgende Empfehlungen sind vor einer Reparatur zu beachten:

- In Fällen von aggressiven oder gefährlichen Gasen ist es erforderlich, eine Sicherheitserklärung mit dem Gerät zur Verfügung zu stellen. Eine detaillierte Analyse des gemessenen Gases ist beizulegen.
- Da Gasanteile im Gerät verbleiben könnten, muss durch ausreichende Belüftung eine neutrale Atmosphäre geschaffen werden.
- Instandsetzung und Reparatur darf nur durch geschultes und qualifiziertes Personal durchgeführt werden. Anschließend muss eine Dichtheitsprüfung mit 1,1 x PS (P_{max}) vorgenommen werden.
- Falls drucktragende Teile ausgetauscht werden, muss sichergestellt sein, dass die Ersatzteile konform zur geltenden Druckgeräterichtlinie sind.
- Die passenden Ersatzteile werden ermittelt, indem Sie die Seriennummer des Zählers an Dresser Utility Solutions schicken.
- In Fällen von feuchten Gasen sind Auswirkungen in Bezug auf innere und äußere Korrosion zu prüfen. Falls stärkere Korrosion vorliegt, ist der Zähler auszutauschen.
- Zum Reinigen nur lösungsmittel- und alkoholfreie Mittel verwenden.

1. Caratteristiche	17
2. Ricevimento del Fluxi 2000/TZ	17
2.1 Imballo	17
2.2 Stoccaggio	17
2.3 Spostamento	17
3. Installazione	17
3.1 Raccomandazioni generali	17
3.2 Consigli per l'installazione	17
3.3 Attivazione	18
3.3.1 Installazione con una sola valvola a monte	18
3.3.2 Installazione con valvole a monte e a valle	18
3.3.3 Installazione con by-pass	18
4. Emettitori d'impulsi	18
5. Manutenzione	19
5.1 Lubrificazione	19
5.2 Cartuccia silicagel esterna	19
5.3 Ispezione e riparazione	19
6. Caratteristiche tecniche	44

Si prega di voler conservare questo manuale a disposizione degli utenti.

Si richiede inoltre il rispetto di tutti i regolamenti nazionali previsti per l'installazione, l'utilizzo e la manutenzione dei contatori a gas.

Tutte le approvazioni sono valide solo finché non vengono apportate modifiche strutturali significative al dispositivo.

1 Caratteristiche

I contatori a turbina sono progettati per misurare i gas della prima, seconda e terza famiglia come descritto nelle norme EN437, così come i gas di vario tipo filtrati, non infiammabili e non corrosivi.

I contatori a turbina sono considerati contatori di velocità. Il flusso di gas fa girare la turbina, la cui velocità di rotazione è proporzionale alla velocità lineare del gas. Il movimento è trasmesso meccanicamente al totalizzatore tramite un comando magnetico.

Caratteristiche dettagliate in merito sono riportate nell'Allegato 5.

2 Ricevimento del Fluxi 2000/TZ

2.1 Imballo

Il contatore, a seconda della dimensione, è spedito in un singolo scatolone o su di un bancale in legno. L'imballo contiene i connettori per gli emettitori d'impulsi installati ed il lubrificante nel caso in cui il contatore sia equipaggiato d'una pompa ad olio.

2.2 Stoccaggio

Se il contatore non viene subito utilizzato, dovrebbe essere conservato in luogo protetto, pulito e secco. Le cuffie posizionate sui tubi in entrata ed in uscita non devono essere rimosse fino al momento dell'installazione del contatore. Temperatura di immagazzinamento: da -40°C a +70°C.

2.3 Spostamento

Il contatore deve essere maneggiato con molta attenzione. Deve essere sollevato esclusivamente con l'aiuto delle cinghie passanti sotto il corpo principale o negli appositi anelli di sollevamento.

3 Installazione

3.1 Raccomandazioni generali: vedere Allegato 1 e le informazioni di PED in Allegato 7. Per le avvertenze riguardanti la normativa ATEX vedi Par.4 Emittitori di Impulsi a pag. 19.

- Il Fluxi 2000/TZ versione standard è noto per essere

utilizzato con gas puliti e non aggressivi. Nel caso di utilizzo con gas aggressivi pregasi contattare Dresser Utility Solutions per versioni speciali.

- Il misuratore è progettato per essere installato in una zona ATEX 0. Mentre all'interno della rete di tubazioni sono consentite solo composizioni di gas non infiammabili. Ciò può richiedere, per motivi ATEX, un'inertizzazione prima dell'uso iniziale con i gas di combustione. Lo stesso vale per la rimessa in servizio.
- Verificare inoltre la facilità di movimento soffiandoci sopra prima dell'installazione nella tubazione
- In caso di utilizzo in zona ATEX 0, le parti in alluminio devono essere protette da urti o attriti con parti in acciaio arrugginito; tale protezione deve essere fatta in maniera adeguata per evitare generazioni di scintille.
- (1) Prima dell'installazione verificare visivamente che il contatore non abbia subito danni durante il trasporto.
- (2) Non saldare la tubazione a contatore installato.
- (3) Il contatore deve essere montato senza provocare eccessive tensioni nella tubazione. Le flange devono essere allineate correttamente. La tensione massima di chiusura dei bulloni utilizzati per le flange non deve superare:

M16	M20	M24	M27	M30	M33	≥M36
120 Nm	200 Nm	300 Nm	400 Nm	550 Nm	700 Nm	1200 Nm

- Per la chiusura dei bulloni si raccomanda di procedere a croce. Devono essere Utilizzate guarnizioni di qualità adeguata.
- (4) Per assicurare una buona precisione nella misurazione, il contatore deve essere montato con un tratto rettilineo (a monte) di almeno 2 DN, nessuna restrizione a valle. Vedere i dettagli nell'Allegato 2.
- (5) Se il contatore è dotato di pompa ad olio, pregasi orientarne il serbatoio in funzione dell'orientamento del contatore.
- (6) Connessione degli emettitori d'impulsi: i contatori di gas vengono spesso installati in luoghi in cui vi è il rischio che del gas sia presente. E' questa la ragione per cui le connessioni elettriche devono essere effettuate esclusivamente con materiali di sicurezza intrinseca approvati. La connessione degli attacchi è indicata sulla placca segnaletica del contatore.
- (7) La polvere ed altre piccole particelle possono danneggiare la turbina, è quindi consigliato l'utilizzo di griglie e filtri.
- (8) Durante la fase di avviamento dovrebbero essere evitati sbalzi di pressione per evitare che la turbina possa subire danni. Al fine di prevenire danneggiamenti durante la fase di avviamento, incrementare la pressione lentamente, l'aumento di pressione non deve superare i 300 mbar a secondo.

3.2 Consigli per l'installazione

In conseguenza del fatto che i contatori a turbina sono

dei contatori di velocità, la loro misurazione può essere influenzata da eventuali perturbazioni presenti nel flusso di gas.

Il Fluxi 2000/TZ è stato progettato in modo d'essere poco sensibile alle perturbazioni. Può essere installato mantenendo una lunghezza rettilinea minima a monte; non ne è invece richiesta alcuna a valle. Vedere tutti i dettagli nell'Allegato 2.

Si potrà ottenere una precisione di misura ottimale rispettando le seguenti raccomandazioni:

- Per l'installazione a monte, utilizzare preferibilmente gomiti a largo raggio (≥ 5 DN)
- Per variazioni di diametro utilizzare pezzi convergenti e divergenti concentrici. Le variazioni brusche devono essere evitate.
- Ostacoli come le sonde di temperatura non devono essere posizionate nel condotto a monte del contatore per almeno 2 DN. Le guarnizioni devono essere correttamente posizionate al centro tra le flange e non devono arrivare all'interno del condotto.
- Le sonde di temperatura integrate al contatore possono essere installate o rimosse senza che sia necessario procedere alla taratura del contatore.

3.3 Attivazione

3.3.1 Installazione con una sola valvola a monte

Aprire la valvola molto lentamente sino a quando il contatore comincia a girare. Lasciate aumentare lentamente la pressione nella tubazione a valle (max 0,3 bar/secondo). Aprire la valvola completamente quando la pressione si è stabilizzata.

3.3.2 Installazione con valvole a monte e a valle

Chiudere la valvola a valle. Aprire molto lentamente la valvola a monte (max 0,3 bar/secondo). Quando nel contatore si è stabilizzata la pressione, aprire lentamente la valvola a valle in modo tale da mantenere la pressione nel contatore e di evitare un flusso eccessivo.

3.3.3 Installazione con by-pass

Chiudere tutte le valvole, Aprire lentamente il by-pass ed attendere che la pressione a valle si stabilizzi. Procedere poi come descritto nel paragrafo precedente. Chiudere il by-pass. Dopo l'attivazione, verificare la tensione dell'installazione. Verificare anche che il flusso non superi quello di portata massima del contatore.

4 Emittitori d'impulsi

Il Fluxi 2000/TZ ha, in dotazione standard, 2 emittitori a bassa frequenza (BF) di tipo Reed e antifrode.

Trasmettitori installabili in opzione :

- Trasmettitore induttivo di media (MF) o alta frequenza (HF).
- Trasmettitore Cyble sensor, installabile sul totalizzatore in qualsiasi momento successivo all'installazione, vedi Allegato 3. Il trasmettitore cyble è esente da rimbalzi del segnale. Consente anche di contabilizzare eventuali flussi inversi.
- Un'uscita meccanica (in conformità alle norme EN 12661), può essere montata sul totalizzatore e permette di collegarlo ad eventuali accessori esterni. In caso di non utilizzo il cappuccio di protezione deve rimanere nella sua sede.

Guide per uso in atmosfere potenzialmente esplosive (ATEX):

- Gli emittitori di impulsi devono essere connessi solamente a circuiti a sicurezza intrinseca.
- Pulire il totalizzatore del contatore solo con un panno umido.
- Per quanto riguarda l'installazione, è necessario tenere conto delle distanze di sicurezza e di dispersione del connettore del cavo.
- Per la valutazione dei rischi da scariche atmosferiche il contatore deve essere considerato parte integrante dell'impianto.
- Per installazione, rimozione o riparazione del contatore in sito, possono essere utilizzati solamente attrezzi idonei per utilizzi in area con pericolo di esplosione.
- Il contatore non dovrà essere esposto a: fiamme, radiazione ionizzata, ultrasuoni o forti campi elettromagnetici.
- Considerare la temperatura ambiente includendo anche possibili riscaldamenti aggiuntivi provenienti da altri dispositivi installati nelle immediate vicinanze del contatore.

I valori degli impulsi e le massime frequenze sono riportati nell'Allegato 5. Le caratteristiche elettriche e le connessioni sono riportate nell'Allegato 4.

Le connessioni dei trasmettitori sono riportate sulla placca segnaletica del contatore.

Protezione degli spinotti delle uscite : Quando il trasmettitore non è utilizzato , il tappo di plastica deve rimanere avvitato per garantire la protezione dei contatti dello spinotto.

5 Manutenzione

Se il Fluxi 2000/TZ è correttamente installato ed attivato, non è richiesta nessuna particolare attenzione e Vi assicurerà un buon funzionamento per parecchi anni.

5.1 Lubrificazione

I contatori dotati di pompa ad olio devono essere periodicamente lubrificati. Il lubrificante Vi è fornito col contatore. Deve essere utilizzato un olio specifico, come:

- Aeroshell fluid 12 MIL6085A
- Isoflex PDP38 (Klüber)
- Anderol 401D (Mobil oil)
- Univis P38 (Shell)

Quantità di olio da utilizzare:

a) Al momento dell'attivazione per riempire il volume compreso tra la pompa e i cuscinetti

DN	Vol.di olio (cm ³)	N° di spinte
50/80	4	20
100	5	25
150/200	6	30
≥250	7	35

b) In funzione

DN	Vol di olio (cm ³)	N° di spinte
50/80	0,5	2-3
100	0,8	4
150/200	1,0	5
≥250	1,2	6

c) Periodicità di lubrificazione consigliata

Applicazione	Periodicità di lubrificazione
Gas secco, senza polveri	6 mesi
Gas con leggere condensazioni e poche polveri	1 mese
Gas con alta percentuale di condensazioni e molte polveri Applicazioni con BIOGAS	1 settimana

5.2 Cartuccia silicagel esterna

Il Fluxi 2000/TZ può essere equipaggiato, in opzione, di una cartuccia silicagel esterna in caso di installazioni in ambienti difficili. Per sostituire la cartuccia, svitare la vecchia, rimuovere il tappo protettivo della nuova ed avvitatela nel totalizzatore.

5.3 Ispezione e riparazione

L'installazione eseguita correttamente e il buon funzionamento del contatore possono essere verificati con un controllo visivo del totalizzatore (per verificare che

il contatore stia funzionando correttamente). Esiste la possibilità di verificare il buon funzionamento del Fluxi 2000/TZ applicando uno "spin test". Questo test mette in evidenza eventuali attriti dei cuscinetti durante la rotazione della turbina.

Il test deve essere eseguito come segue:

- Accelerare la ruota della turbina fino a un valore compreso fra 30 e 50 di Qmax
- Misurare quindi il tempo necessario all'arresto completo della turbina (spin time -ST-)

Vedere nell'Allegato 6 il tempo regolare di arresto.

In caso di riparazione devono essere seguite le seguenti raccomandazioni:

- In caso di utilizzo con gas aggressivo o pericoloso, può rendersi necessaria l'aggiunta al contatore di una etichetta (dichiarazione) di sicurezza che descriva il tipo di gas misurato.
- Potrebbe rimanere del gas residuo nel contatore o nella condotta, è necessario quindi prevedere una sufficiente ventilazione.
- La riparazione e la manutenzione devono essere eseguite esclusivamente da personale qualificato. Dopo ogni riparazione deve essere effettuata una prova di tenuta alla pressione di 1.1 x PS (ovvero Pmax).
- Se dovesse rendersi necessaria la sostituzione di un pezzo sotto pressione, assicurarsi che il pezzo di ricambio sia conforme alla PED.
- Le parti di ricambio appropriate sono rintracciate fornendo il numero di serie del contatore ad Dresser Utility Solutions.
- Nel caso di utilizzo con gas umidi, periodicamente è necessario verificare gli effetti della corrosione. In caso di corrosione seria il contatore deve essere sostituito.
- Per la pulizia del contatore utilizzare un prodotto che non contenga né solvente né alcool.

1. Características	21
2. Envío del Fluxi 2000/TZ	21
2.1 Embalaje	21
2.2 Almacenamiento	21
2.3 Manipulación	21
3. Instalación	21
3.1 Recomendaciones generales	21
3.2 Instalación recomendada	21
3.3 Inicio	22
3.3.1 Instalación solo con válvula aguas arriba	22
3.3.2 Instalación con válvulas aguas arriba y aguas abajo	22
3.3.3 Instalación con by-pass	22
4. Emisores	22
5. Mantenimiento	23
5.1. Lubricación	23
5.2. Cartucho de Silicagel externo	23
5.3. Inspección y reparación	23
6. Características	44

Mantenga este manual accesible a todos los usuarios. Por favor, respete todos los requisitos legales del país para la instalación, operación y servicio de los contadores de gas. Todas las aprobaciones son válidas únicamente mientras no se realicen cambios estructurales significativos en el equipo.

1 Características

Los Contadores Fluxi 2000/TZ pueden emplearse para la medición de gases de la 1ª, 2ª y 3ª familia de gases conforme a la EN 437, así como para otros tipos de gases filtrados, no inflamables y no corrosivos.

Los contadores de gas con turbina son contadores de caudal. El caudal del gas mueve una turbina y la velocidad de rotación de ésta es proporcional a la velocidad lineal del gas. El movimiento mecánico es transmitido al totalizador a través de una transmisión magnética. Para mayor detalle vea el Anexo 5.

2 Envío del Fluxi 2000/TZ

2.1 Embalaje

El contador, dependiendo del calibre, se envía en una caja individual de cartón o en palets de madera. El embalaje contiene las protecciones de los transmisores y el lubricante si se instala una bomba de aceite.

2.2 Almacenamiento

Si el contador no va a ser instalado de forma inmediata, se debe almacenar en un lugar cubierto, limpio y seco. Las protecciones situadas en la entrada y salida del contador no deberán quitarse hasta el momento de su instalación. Temperatura de almacenamiento: -40°C a +70 °C.

2.3 Manipulación

Los contadores deberán ser manipulados con cuidado. Estos deberán ser transportados con correas situadas alrededor del cuerpo principal o de los aros situados en el contador.

3 Instalación

3.1 Recomendaciones generales:

Vea el Anexo 1. Y la información PED en Anexo 7.

- El contador estándar Fluxi 2000/TZ está fabricado para ser utilizado con gases limpios y no agresivos. Para utilizarlo con gases agresivos por favor contacte con Dresser Utility Solutions para solicitar versiones especiales.
- El contador está diseñado para ser instalado en una zona ATEX 0. Mientras que dentro de la red de tu-

berías sólo se permiten composiciones de gas no inflamables. Eso puede requerirse por razones ATEX una inertización antes del uso inicial con gases de combustión. Lo mismo se aplica a la nueva puesta en servicio.

- Antes de instalar el contador en la tubería, verifique el correcto funcionamiento soplando a través de ellos.
- Cuando se utilicen en zona ATEX 0, las piezas de aluminio deben protegerse de los procesos de fricción o impacto por componentes de acero oxidado mediante una instalación adecuada para de esta manera evitar la generación de chispas.
- (1) Antes de instalar el contador, verifique visualmente que el contador no ha sido dañado durante su transporte.
- (2) NO realice soldaduras en las tuberías si el contador está instalado.
- (3) El contador no deberá instalarse si las tuberías están siendo sometidas a algún tipo de tensión. Las bridas deberán estar alineadas de forma correcta. La presión en los tornillos no deberá exceder (Nm):

M16	M20	M24	M27	M30	M33	≥M36
120 Nm	200 Nm	300 Nm	400 Nm	550 Nm	700 Nm	1200 Nm

Por favor, apretar los tornillos por parejas opuestas. Se recomienda utilizar juntas de estanqueidad de calidad adecuada.

- (4) Para garantizar la precisión, el contador deberá instalarse con una tubería recta en la entrada del contador de 2 DN como mínimo, no hay restricciones en la salida. Vea el Anexo 2. No obstante se deberán respetar las normativas de instalación vigente en cada país.
- (5) Si el contador está equipado con bomba de aceite, coloque el depósito de aceite de acuerdo con la posición del contador en la instalación.
- (6) Conexión de Emisores: Los contadores de gas con frecuencia se instalan en zona peligrosa, por tanto, las conexiones eléctricas se deberán hacer teniendo en cuenta el marcado Ex en el equipo, o con equipos aprobados. Para emisores y pesos de impulsos vea los valores en la placa de características del contador.
- (7) Las partículas de suciedad podrían dañar la turbina del contador, por lo que se recomienda la limpieza de las tuberías antes de la instalación del contador. También se recomienda el uso de filtros.
- (8) Deberán evitarse los golpes de ariete para proteger la integridad de la turbina. Para evitar daños, incrementemente lentamente la presión a menos de 0,3 bar por segundo.

3.2 Instalación recomendada

Los contadores de gas con turbina son contadores de caudal por lo que su metrología podría verse afectada por alteraciones en el caudal del gas.

El Fluxi 2000/TZ ha sido diseñado para tener una baja

sensibilidad a las alteraciones de caudal. Puede instalarse con un mínimo de tubería recta en la entrada del contador y no se requiere tubería recta en la salida, no obstante se deberán respetar las normativas de instalación vigente en cada país. Vea los detalles en el Anexo 2. Se puede lograr una precisión óptima siguiendo las siguientes recomendaciones:

- Utilizar preferiblemente „codos“ con un amplio radio (≥ 5 DN) para instalarse en la entrada del contador.
- Para variaciones del diámetro de la tubería, utilice piezas concéntricas, convergentes y divergentes, se debe evitar los cambios bruscos de diámetro.
- Obstáculos como los termómetros, no deberán ser instalados en los 2 DN de la tubería de entrada del contador. Las juntas deberán estar correctamente centradas entre las bridas sin sobresalir en la tubería.
- Los termómetros internos, podrán ser instalados o desinstalados sin necesidad de volver a calibrar el contador.

3.3 Inicio

3.3.1 Instalación solo con válvula aguas arriba

Abrir la válvula lentamente hasta que el contador comience a funcionar. Incremente lentamente la presión en la tubería situada aguas abajo (máx. 0,3 bar / segundo). Cuando se estabilice la presión aguas abajo, abrir completamente la válvula.

3.3.2 Instalación con válvulas aguas arriba y aguas abajo

Cerrar la válvula aguas abajo. Abrir lentamente la válvula aguas arriba (máx. 0,3 bar / segundo). Cuando se estabilice la presión en el contador, abrir lentamente la válvula aguas abajo para mantener estable la presión en el contador y evitar un exceso de caudal.

3.3.3 Instalación con by-pass

Cierre todas las válvulas. Abrir lentamente el by-pass y esperar hasta que la presión aguas abajo se estabilice. Luego proceda como §3.3.2. Cierre el by-pass. Después del inicio, por favor verifique la integridad (fugas) de la instalación. Verifique también que no se exceda el caudal máximo de la instalación.

4 Emisores

El Fluxi 2000/TZ está equipado con 2 emisores de baja frecuencia (BF) tipo Reed, y un anti fraude.

Emisores de impulsos instalados como opción:

- Emisores de media (MF) o alta frecuencia (HF).
 - Un sensor Cyble puede ser instalado encima del totalizador en cualquier momento (ver Anexo 3). El sensor Cyble es un transmisor libre de rebotes. Esto permite también la medición de eventuales flujos de retorno.
 - Una transmisión mecánica diseñada de acuerdo con la EN 12661 puede ser instalada sobre el totalizador y puede ser utilizada para acoplar accesorios externos. Debe ser respetado el máximo par aplicable en dicho equipo. De no utilizarse, el tapón protector debe permanecer perfectamente colocado.
- Consejos para manipulación en atmósferas potencialmente explosivas (ATEX):
- Los transmisores de impulsos deben ser conectados solo en áreas intrínsecamente seguras.
 - Para limpiar el cabezal del contador utilizar, exclusivamente, un paño húmedo.
 - En la instalación, deben tenerse en cuenta los espacios libres y las líneas de fuga del conector del cable.
 - Debe tenerse en cuenta el contador para la evaluación de la instalación completa, en cuanto a riesgo de rayos.
 - Al instalar, quitar o reparar un contador en el área de uso, solo se podrán utilizar herramientas permitidas en áreas potencialmente explosivas.
 - El contador no deberá estar expuesto a: Fuego, radiación ionizada, ultrasonidos o fuertes campos electromagnéticos.
 - Deben considerarse las condiciones de temperatura ambiente, y también el posible efecto de un sobrecalentamiento debido a la presencia de otros dispositivos cercanos.

Los pesos de impulso y las máximas frecuencias se describen en el Anexo 5.

Las características eléctricas y las conexiones del cable se describen en el Anexo 4. El cableado de los emisores se describe en la placa de características del contador.

Protección de los terminales: Cuando un emisor de impulsos no se utiliza, el tapón de plástico debe permanecer roscado para proteger los contactos eléctricos del terminal.

5 Mantenimiento

Cuando el contador se instala y se pone en marcha correctamente, el Fluxi 2000/TZ no requiere especial atención y funcionará de forma satisfactoria por muchos años.

5.1 Lubricación

Los contadores equipados con bomba de aceite deben ser periódicamente lubricados.

El aceite se entrega junto con el contador. Debe utilizarse un tipo de aceite específico, por ejemplo:

- Aeroshell fluid 12 MIL6085A
- Isoflex PDP38 (Klüber)
- Anderol 401D (Mobil Oil)
- Univis P38 (Shell)

Cantidad de aceite a utilizar:

a) En la puesta en marcha, rellene el volumen entre la bomba y el cojinete

DN	Vol. Aceite (cm ³)	Bombeos
50/80	4	20
100	5	25
150/200	6	30
≥250	7	35

b) En servicio

DN	Vol. Aceite (cm ³)	Bombeos
50/80	0,5	2-3
100	0,8	4
150/200	1,0	5
≥250	1,2	6

c) Lubricación periódica recomendada

Aplicación	Lubricación periódica
Gas seco, sin partículas	6 meses
Gas, poca condensación y pocas partículas	Mensual
Gas, alta condensación y muchas partículas Aplicaciones con BIOGAS	Semanal

5.2 Cartucho de Silicagel externo

El contador se puede equipar con un cartucho externo de silicagel para su instalación en condiciones extremas. Para reemplazar el cartucho, desatornille el cartucho viejo, quite el tapón protector del nuevo cartucho y atornillelo en el totalizador.

5.3 Inspección y reparación

La correcta instalación y el buen funcionamiento del contador, puede ser verificada mediante un control visual del totalizador (revisando que el contador gira correctamente).

Es posible verificar el correcto funcionamiento del con-

tador Fluxi 2000/TZ realizando un « spin test ». Esta prueba permitirá conocer posibles fricciones y el estado de la turbina.

La prueba se realiza de la siguiente forma:

- Haga girar la turbina de un 30 a un 50% del Q_{max}.
 - Mida el tiempo hasta que la turbina se detenga (ST).
- Para valores típicos de (ST) vea el Anexo 6.

En caso de reparación, siga las siguientes recomendaciones:

- En caso de uso con gases agresivos o peligrosos, es necesario enviar un certificado junto con el contador, detallando el tipo de gas al que ha sido sometido.
- Cierta cantidad de gas podría quedar dentro del contador y/o tuberías, por lo que se requiere ventilación suficiente.
- La reparación y el mantenimiento deben ser realizados por personal cualificado. Después de la reparación, es necesario realizar una prueba de estanqueidad con 1.1 x PS (P_{max}).
- Si se cambian piezas que se someten a presión, asegúrese que los recambios cumplen con la PED.
- En el caso de necesitar una pieza de recambio se deberá informar a Dresser Utility Solutions del número de fabricación del contador.
- Si se utiliza gas húmedo, se debe verificar regularmente el efecto de corrosión tanto interno como externo y en caso de corrosión severa, el contador deberá ser sustituido.
- Utilizar disolventes sin alcohol para limpiar el contador.

1. Kenmerken	25
2. Ontvangst van de Fluxi 2000/TZ	25
2.1. Verpakking	25
2.2. Opslag.	25
2.3. Behandeling	25
3. Installatie	25
3.1. Algemene opmerkingen	25
3.2. Aanbevolen installatie..	25
3.3. Opstarten.	26
3.3.1. Installatie met een klep aan de inlaatzijde.	26
3.3.2. Installatie van kleppen in de inlaat of uitlaat leiding.	26
3.3.3. Installatie met een by-pass.	26
4. Connectoren	26
5. Onderhoud	27
5.1. Smering.	27
5.2. Extern vochtfilter	27
5.3. Inspectie en reparatie	27
6. Technische informatie	44

Houdt dit installatie-voorschrift toegankelijk voor alle gebruikers.

Respecteer alle nationale regels tav installatie, bediening en service van de gasmeters.

Alle goedkeuringen zijn alleen geldig zolang er geen significante structurele wijzigingen aan het apparaat worden aangebracht.

1 Kenmerken

De Fluxi 2000/TZ gasmeters zijn ontworpen voor het meten van gassen zoals gespecificeerd in de EN 437 (1ste, 2de en 3de gas familie), daarnaast kunnen er ook verschillende gefilterde, niet-ontvlambaar en niet-corrosieve gassen gemeten worden.

Turbinegasmeters zijn stromingsmeters. De gasstroom drijft het turbinewiel aan en de rotatiesnelheid van het turbinewiel is proportioneel met de lineaire snelheid van het gas. Deze omwentelingen worden mechanisch doorgegeven aan het telwerk door een magnetische koppeling.

Voor gedetailleerde informatie, zie: Annex 5.

2 Ontvangst van de Fluxi 2000/TZ

2.1 Verpakking

Iedere meter, afhankelijk van het type, wordt geleverd in een aparte doos of op een houten pallet. De verpakking bevat een contra connector voor de geïnstalleerde reedcontacten en olie in geval dat een oliepomp geïnstalleerd is.

2.2 Opslag

Indien de meter niet direct gebruikt wordt, moet deze worden opgeslagen in een schone en droge omgeving. De afsluitdoppen op inlaat en uitlaatzijde van de meter dienen pas bij installatie van de meter verwijderd te worden. Opslag temperatuur: -40°C to +70°C.

2.3 Behandeling

De meters moeten met zorg worden behandeld. Ophijzen van de meter alleen met hijsbanden om de „body“ of aan de hijsogen.

3 Installatie

3.1 Algemene opmerkingen

Zie Annex 1 en de PED informatie in Annex 7.

- De standaard Fluxi 2000/TZ is ontworpen voor het meten van schone en niet-agressieve gassoorten. Voor het meten van agressieve gassen gaarne contact opnemen met Dresser Utility Solutions voor informatie over speciale uitvoeringen.
- De meter is ontworpen voor installatie in een ATEX-

zone 0. Binnen het leidingnetwerk zijn alleen niet-ontvlambare gassen toegestaan. Dat vereist om ATEX redenen kan een inertisering voorafgaand aan het eerste gebruik met verbrandingsgasen. Hetzelfde geldt voor herinbedrijfname.

- Controleer, voor inbouw in de leiding, de vrijloop en spin van de meter, door voorzichtig in de meter te blazen.
- Bij gebruik in ATEX-zone 0 moeten Aluminium delen uitvoering door middel van een geschikte installatie worden beschermd tegen wrijvings- of stootprocessen door roestige stalen onderdelen om het ontstaan van een ontsteking te voorkomen.
- (1) Voor installatie de meter controleren op eventuele beschadigingen, ontstaan tijdens transport.
- (2) Niet lassen aan het leidingwerk bij een geïnstalleerde meter.
- (3) De meter moet te allen tijde, spanningsvrij geïnstalleerd worden. De flenzen moeten goed uitgelijnd worden. Het max. aanhaalmoment van de bouten mag de in tabel vermelde waarden niet overschrijden:

M16	M20	M24	M27	M30	M33	≥M36
120 Nm	200 Nm	300 Nm	400 Nm	550 Nm	700 Nm	1200 Nm

Bouten gelijkmatig, bij voorkeur kruislings, aandraaien. Flens pakkingen van voldoende kwaliteit moeten gebruikt worden.

- (4) Om de nauwkeurigheid te waarborgen, dient de meter geïnstalleerd te worden met een recht inlaat pijpstuk van 2ND, zonder uitlaatrestrictie. Zie detail Annex 2.
- (5) Indien de meter is uitgevoerd met een oliepomp, dient de positie van het oliereservoir aangepast te zijn aan de installatie.
- (6) Impulsgever aansluiting: Gasmeters worden vaak geïnstalleerd in gebieden met een gasrisiko. Daarom moet de elektrische verbinding met de gasmeter Ex gemarkeerd zijn of voldoen aan een gelijkwaardige toelating. De connector aansluiting en de pulswaardes staan op de telwerkplaat.
- (7) Vervuiling in het gas zoals bv zand en laskorrels kunnen het turbinewiel beschadigen. Het gebruik van een zeef of filter wordt dringend aanbevolen.
- (8) Drukpulsen moeten tijdens het opstarten voorkomen worden, dit om het turbinewiel te beschermen. Om schade bij het opstarten te voorkomen, dient de drukverhoging langzaam met niet meer dan 0,3 bar per seconde plaats te vinden.

3.2 Aanbevolen installatie

Turbinemeters zijn „stromingsmeters“ dit betekend dat de metrologie beïnvloedt kan worden door verstoringen, veroorzaakt door de gasstroom.

De Fluxi 2000/TZ is echter ontworpen met een lage gevoeligheid voor deze stroomverstoring. Deze meter kan geïnstalleerd worden met een minimale rechte aan-

stroomlengte. Aan de uitlaatzijde is geen rechte lengte vereist. Zie voor details Annex 2.

Een hogere meetnauwkeurigheid kan verkregen worden door de volgende regels te hanteren:

- Gebruik bij voorkeur bochtstukken met een grote radius (≥ 5 DN) aan de inlaatzijde van de meter.
- Bij diameter variaties, svp altijd coniverend , divigerende pijpstukken gebruiken, voorkom het gebruik van verschillende diameters.
- Obstakels, zoals zakbuizen, mogen niet uitsteken binnen een afstand van 2 DN in de aanstroomzijde van de meter.
- Pakkingen moeten op de juiste wijze (centrisch) worden gemonteerd en moeten niet uitsteken in de leiding.
- De ingebouwde zakbuizen kunnen geïnstalleerd of gedemonteerd worden zonder dat de meter opnieuw geïjkt behoeft te worden.

3.3 Opstarten

3.3.1 Installatie met een klep aan de inlaatzijde

Open de klep erg langzaam totdat de meter begint te lopen. Voer langzaam de druk op in de uitlaatzijde (max. 0,3 bar/sec). Als de druk aan de uitlaatzijde is gestabiliseerd, open de klep volledig.

3.3.2 Installatie van kleppen in de inlaat of uitlaat leiding

Sluit de klep in de uitlaatleiding. Open de klep in de inlaatleiding langzaam (max.0,3 bar/sec). Als de druk in de meter is gestabiliseerd, open dan langzaam de klep aan de uitlaatzijde om de druk in de meter te handhaven en overbelasting te voorkomen.

3.3.3 Installatie met een by-pass.

Sluit alle kleppen. Langzaam de by-pass openen en wachten tot de uitlaatdruk is gestabiliseerd. Vervolg dan als 3.3.2. Sluit de by pass.

4 Connectoren

De Fluxi 2000/TZ is standaard uitgevoerd met 2 LF reed contacten en een anti fraude contact. Optionele pulsgevers:

- Inductieve medium (MF) of hoogfrequent (HF) pulsgevers.
- Een Cyble sensor kan te allen tijde op het telwerk worden gemonteerd, zie Annex 3. De Cyble sensor is een dendervrije pulsgever, welke ook gebruikt kan worden om eventuele terugstroom te registreren.
- Een mechanische aandrijving volgens EN 12661 kan op het telwerk gemonteerd worden, welke gebruikt kan worden om externe accessoires aan te drijven. Het maximale koppel zoals aangeduid op de aandrijving moet gerespecteerd worden. Indien niet gebruikt

dient het beschermkapje gemonteerd blijven.

Opmerkingen voor het gebruik in mogelijk explosieve omgeving (ATEX):

- Puls contacten mogen alleen aangesloten worden op intrinsiek veilige systemen.
- Reinig de meter uitsluitend met een vochtige doek.
- Bij de installatie moet rekening worden gehouden met vrije ruimten en kruipwegen van de kabelconnector.
- In de bliksem risico evaluatie van de gehele installatie dient de meter meegenomen te worden.
- Voor installatie, demontage of reparatie van de meter op lokatie, alleen gereedschap gebruiken wat is toegestaan voor explosieve omgeving.
- De meter mag niet blootgesteld worden aan: vuur, straling, geluidsgolven en sterke electromagnetische velden.
- Bij het bepalen van de omgeving temperatuur moet rekening gehouden worden met andere warmtebronnen indien deze zich in de directe omgeving bevinden.

Voor pulsewaarden en maximale frequenties zie Annex 5.

Voor elektrische gegevens en connector aansluitingen Annex 4. De bedrading van de contacten staat vermeld op het naamplaatje van de meter.

Bescherming van aansluitingen: indien een pulsgever niet gebruikt wordt, moet de betreffende plastic beschermkap gemonteerd blijven om de elektrische contacten te beschermen.

5 Onderhoud

Als de meter op de juiste wijze is geïnstalleerd en in gebruik genomen, heeft de Fluxi 2000/TZ geen speciale aandacht nodig en garandeerd een jarenlange goede werking.

5.1 Smering

Meters voorzien van een oliepomp moeten periodiek gesmeerd worden.

Olie wordt met de meter meegeleverd. Er moet speciale olie gebruikt worden bv:

- Aeroshell fluid 12 MIL6085A
- Isoflex PDP38 (Klüber)
- Anderol 401D (Mobil Oil)
- Univis P38 (Shell)

Hoeveelheid olie per type:

a) Per meter type dient de in de tabel aangegeven olie hoeveelheid gevuld te worden.

DN	Olie vol.(cm ³)	Slagvolume.
50/80	4	20
100	5	25
150/200	6	30
≥250	7	35

b) Bij service

DN	Olie vol.(cm ³)	Slagvolume.
50/80	0,5	2-3
100	0,8	4
150/200	1,0	5
≥250	1,2	6

c) Aanbevolen smerings periode

Toepassing	smeerperiode
Droog gas , geen vuil	6 maanden
Gas met weinig condensaat en weinig stof	Maandelijks
Gas met een hoog percentage condensaat en stof. BIOGAS toepassingen	Wekelijks

5.2. Extern vochtfilter

De meter kan uitgevoerd worden met een (opschroefbaar)extern vochtfilter voor installatie in de buitenlucht. Is dat het geval, schroef de oude los en schroef de nieuwe op het telwerk.

5.3. Inspectie en reparatie

Een goede installatie en het goed functioneren van de gasmeter kan gecontroleerd worden door middel van een visuele controle van de meterkop (of de gasmeter draait). Het is mogelijk om de Fluxi2000/TZ te controleren op goede werking door een zg „spintest“ uit te voeren. Deze test geeft informatie over eventuele

wrijving van de lagers.

- De test gaat als volgt:
- Turbinewiel laten draaien op 30 tot 50% van Qmax en meet de tijd tot het turbinewiel stopt.
- Meet de spin tijd (ST) tot het turbinewiel tot stilstand komt.
- Vergelijk deze tijd met de aangegeven tijd in Annex 6.
- De volgende regels gelden in geval van reparatie:
- In geval van gebruik met agressieve of gevaarlijke gasen, kan het nodig zijn om een veiligheidsverklaring mee te sturen waarin het type gas gespecificeerd staat wat met de meter gemeten is.
- Een kleine hoeveelheid gas kan nog in de meter en/of pijpstukken zijn achtergebleven, waardoor voldoende ventilatie noodzakelijk is.
- Reparaties moeten uitgevoerd worden door deskundig personeel. Naderhand dient een dichtheid test uitgevoerd te worden 1,1 x PS (Pmax).
- Bij vervanging van druklagers, altijd controleren of de juiste reservedelen conform de PED gebruikt worden.
- Om er voor zorg te dragen dat de goede onderdelen gebruikt worden dient bij het opgeven van de meter aan Dresser Utility Solutions het serienummer te worden vermeldt.
- In geval van een nat gas, kan zowel intern als extern corrosie ontstaan. Vervang de meter.
- Gebruik vet en alcohol vrije reinigingsproducten.

1. Özellikler	29
2. Fluxi 2000/TZ in paketlenmesi	29
2.1. Paketleme	29
2.2. Depolama	29
2.3. Malın tertip ve tanzimi.	29
3. Tesisata döşeme	29
3.1. Genel uyarılar	29
3.2. Tavsiye edilen tesisata döşeme	29
3.3. Devreye alma	30
3.3.1. Yalnızca bir yukarı akış vanası ile tesisata döşeme	30
3.3.2. Yukarı akış ve aşağı akış vanaları ile tesisata döşeme.	30
3.3.3. By-pass ile tesisata döşeme	30
4. Vericiler	30
5. Bakım	31
5.1. Yağlama.	31
5.2. Harici silicagel kartuşu.	31
5.3. Kontrol ve tamir.	31
6. Özellikler	44

Bu kılavuzu bütün müşteriler den kolayca ulaşabilir şekilde tutunuz.

Gaz sayaçların tesisat döşemesi, çalışması ve bakımı için lütfen ulusal kurallara uyunuz.

Tüm onaylar yalnızca cihazda önemli yapısal değişiklikler yapılmadığı sürece geçerlidir.

1 Özellikler

Korozif olmayan, ateşlenemez ve filtrelenmiş gazlar gibi EN437 de belirtildiği gibi Fluxi2000/TZ sayaçlar 1inci, 2inci ve 3üncü gaz ailelerin gazlarını ölçmek için tasarlanmıştır.

Türbinmetre gaz sayaçları akış sayaçlarıdır. Gazın akışı türbin çarkını döndürüyor ve türbinin rotasyon hızı gazın doğrusal hızı ile orantılıdır. Bu hareket mekanik olarak manyetik kavrama ile numaratóre iletilir.

Özellikler detaylı olarak Ek 5'te anlatılmıştır.

2 Fluxi 2000/TZ in paketlemesi

2.1 Paketleme

Sayaç boyuna göre ayrı ayrı kutularda veya ağaç palet üzerinde teslim edilmektedir. Ambalajın içerisinde monte edilmiş vericiler için tapalar ve bir yağ pompası takılı ise yağ bulunmaktadır.

2.2 Depolama

Eğer sayaç hemen kullanılmayacak ise, temiz ve kuru çevrede korunmuş şekilde depolanması gerekiyor. Tesisata kadar giriş ve çıkış borudaki sıkıştırılmış kapaklar yerinde durması gerekiyor. Depolama ısısı: -40°C den +70°C'e kadar.

2.3 Malın tertip ve tanzimi

Sayaçlar dikkatlice tertip ve tanzim edilmelidir. Ana gövdenin etrafında veya küçük deliklerden yalnızca kayışlar ile kaldırılmalıdır.

3 Tesisata döşeme

3.1 Genel uyarılar: Ek 1 ve Ek 7 de PED bilgisine bakınız.

- Fluxi 2000/TZ standart modeli temiz ve agresif olmayan gazlar ile kullanılması için tasarlanmıştır. Agresif gazlar ile kullanımı için özel versiyonlar ile ilgili lütfen Dresser Utility Solutions ile iletişime geçiniz.
- Sayaç, ATEX Zone 0'a monte edilmek üzere tasarlanmıştır. Boru şebekesi içinde ise sadece tutuşmayan gaz bileşimlerine izin verilir. Bu, ATEX nedenleriyle yanma gazlarıyla ilk kullanımdan önce bir etkisizleştirme ge-

rektirebilir. Aynı durum yeniden devreye alma için de geçerlidir.

- Boru hattına monte edilmeden önce, hareket kolaylığını üfleyerek kontrol edin.
- ATEX Zone 0'da kullanıldığında, Alüminyum bileşenler sayaçlar, bir tutuşmanın oluşmasını önlemek için uygun bir kurulum ile paslı çelik bileşenlerden sürtünme veya darbeye karşı korunmalıdır.
- (1) Tesisata döşemeden önce, taşıma esnasında sayaçın zarar görmediğine dair görsel olarak kontrol ediniz.
- (2) Monte edilmiş bir sayaç ile boru hattına kaynak yapmayınız.
- (3) Sayaç boru sistemine zorlama olmadan monte edilmesi gerekiyor. Flanşlar doğru olarak sıralanması gerekiyor. Civataların sıkma torku aşağıdaki değerleri geçmemesi gerekir:

M16	M20	M24	M27	M30	M33	≥M36
120 Nm	200 Nm	300 Nm	400 Nm	550 Nm	700 Nm	1200 Nm

Lütfen civataları karşıt çift olarak sıkınız. Uygun kalitede flanş contaları kullanılmalıdır.

- (4) Doğruluğu sağlamak için, sayaç min. 2 DN li bir düz giriş boru ile monte edilmelidir, geri akış olmaması şartıyla. Ek 2 de detaylara bakınız.
- (5) Eğer sayaçta bir yağ pompası takılı ise, yağ haznesini montaj pozisyonuna göre çeviriniz.
- (6) Vericilerin bağlantısı: Gaz sayaçları çoğu zaman Gaz'ın mevcut olabileceği riskinin olduğu alanlarda monte edilir. O nedenle, sayaçlara elektrik bağlantıları örneğin işaretlenmiş ekipmanların kullanımının önemi ile veya başka şekilde onaylanmış devreler ile yapılmalıdır. Tapa ayırımı ve pulse değerleri için ana etikete bakınız.
- (7) Pislik parçaları türbin çarkına zarar verebilir o nedenle başlangıç eleği veya filtre kullanımı tavsiye edilir.
- (8) Basınç pulse'ları türbin çarkını korumak için başlangıç ve çalışma esnasında önlenmelidir. Başlangıç esnasında arızayı önlemek için basıncı yavaş yavaş en fazla saniyede 0.3 bar arttırınız.

3.2 Tavsiye edilen tesisata döşeme

Türbinmetre sayaçlar akış sayaçlarıdır. O nedenle metrolojileri gaz akışında mevcut olan bozukluklardan etkilenemez.

Fluxi 2000/TZ akış bozukluklarına düşük bir hassasiyet olması için tasarlanmıştır. Minimum bir düz yukarı akış boru uzunluğu ile tesisata döşenebilir. Aşağı akış borusu için minimum düz bir boru istenmemektedir. Ek 2 de tüm detaylara bkz.

Aşağıdaki kuralların uyulması ile daha düzgün bir doğruluk elde edilebilir:

- Tercihen sayacın girişine monte edilmiş geniş yarıçaplı (≥5 DN) dirsek parçalarının kullanımı.
- Çap değişiklikleri için, tercihen ortak merkezli veya ayrı

farklı parçaların kullanımı, ani değişimler önlenmelidir.

- Thermoweller gibi engeller sayacın 2 DN yukarı akışı içerisinde boruda çıkıntı olmamalıdır. Contalar flanşların arasında düzgün bir şekilde ortalanmalı ve boru içerisinde çıkıntı olmamalıdır.
- Dahili thermoweller sayacın kalibrasyonu gerekmeksizin monte veya demonte edilebilir.

3.3 Devreye alma

3.3.1 Yalnızca bir yukarı akış vanası ile tesisata döşeme

Sayaç çalışmaya başlayınca kadar vanayı yavaş yavaş açınız. Aşağı akış borusunda basıncı yavaş yavaş arttırınız (max. 0,3 bar/saniye). Aşağı akış basıncı sabitlendiğinde, vanayı tamamen açınız.

3.3.2 Yukarı akış ve aşağı akış vanaları ile tesisata döşeme

Aşağı akış vanasını kapatınız. Yukarı akış vanasını yavaş yavaş açınız (max. 0,3 bar/saniye). Sayaçta basınç dengelendiğinde, basıncı sayaçta tutmak ve fazlalığı önlemek için yukarı akış vanasını hafifçe açınız.

3.3.3 By-pass ile tesisata döşeme

Tüm vanaları kapatınız. By-pass'ı yavaş yavaş açınız ve aşağı akış basıncı dengelenene kadar bekleyiniz. Sonra 3.3.2. maddesine göre devam ediniz. By-pass'ı kapatınız.

Devreye aldıktan sonra, tesisat döşemesinin sıklığını kontrol ediniz. Aynı anda sayacın maximum akış oranının geçmediğini de kontrol ediniz.

4 Vericiler

Fluxi 2000/TZ, 2 Düşük Frekanslı (LF), Reed switchler ve bir anti-tampering switch ile standart olarak ekipmanlıdır. Opsiyon olarak monte edilen vericiler:

- Endüktif medyum (MF) veya yüksek frekanslı (HF) vericiler.
- Herhangi bir zamanda bir Cyble sensörü numarator kapağının üstüne monte edilebilir, Ek3'e bakınız. Cyble sensor sıçrayışsız bir vericidir. Olası geri akışların sayılmasını da sağlayabiliyor.
- EN12661'e göre tasarlanmış mekanik bir çalışma numarator kapağının üstüne uyarlanabilir, sökülebilen aksesuarları çalıştırmak için kullanılabilir. Cihazın üzerinde tanımladığı gibi çıkış milinde uygulanabilen maximum torka uyulmalıdır. Kullanılmadığında koruma kapağı yerinde kalmalıdır.

Potansiyel tehlikeli bölgelerde olan sayaçların kullanımı hakkında talimatlar (ATEX):

- Pulse vericileri özel güvenli devrelere bağlanmalıdır.
- Sayacı sadece nemli bir bez ile temizleyin.
- Kurulum tarafında, kablo konektörünün yalıtım ve atla-

ma mesafesi dikkate alınmalıdır.

- Sayaç tüm sistemin yıldırım riskini değerlendirmede dikkate alınmalıdır.
- Sahada sayacı kurmak, kaldırmak veya tamir etmek için kullanılan aletler, tehlikeli bölgede kullanabilmek için uygun olmalıdır unutmayın ki sayacın değiştirilmesi sırasındaki tehlikeli bölge sınıflandırılması normal sayaç çalışma sırasındakinden farklı olabilir.
- Sayaç aleve, iyonlaşmış radyasyona, ultrason veya güçlü bir elektromanyetik alana maruz kalmamalıdır.
- Ortam sıcaklık koşullarını ve yakın çevredeki diğer cihazlardan kaynaklı olası ilave sıcaklık etkileri göz önünde bulundurulmalıdır.

Pulse değerleri ve maximum frekanslar Ek 5'te gösterilmiştir.

Soketin elektriksel özellikleri ve elektrik kabloları Ek 4'te gösterilmiştir. Vericilerin elektrik kabloları sayacın etiketinde yazılmıştır.

Soketlerin korunması: Bir verici kullanılmadığında, soketin elektrik ile temasını engellemek için plastik kafa vidalanmış olarak kalmalıdır.

5 Bakım

Düzgün bir şekilde monte edildiğinde ve devreye alındığında, Fluxi 2000/TZ özel bir bakım gerektirmiyor ve size hizmet memnuniyetini yıllarca sağlamış olacaktır.

5.1 Yağlama

Yağ pompası olan sayaçlar periyodik olarak yağlanmalıdır. Yağ sayaç ile teslim edilmektedir. Özel yağ kullanılması gerekir, örneğin:

- Aeroshell fluid 12 MIL6085A
- Isoflex PDP38 (Klüber)
- Anderol 401D (Mobil Oil)
- Univis P38 (Shell)

Doldurulması gereken yağ miktarı:

a) Devreye almada hacim pompa ve mil yatakları arasında doldurulmalıdır.

DN	Yağ hac.(cm ³)	İtme
50/80	4	20
100	5	25
150/200	6	30
≥250	7	35

b) Çalışırken

DN	Yağ hac.(cm ³)	İtme
50/80	0,5	2-3
100	0,8	4
150/200	1,0	5
≥250	1,2	6

c) Tavsiye edilen yağlama periyodu

Uygulama	Yağlama periyodu
Kuru gaz, tozsuz	6 ay
Düşük yoğunlaşma ve küçük toz içeren gaz	Aylık
Yüksek oranda yoğunlaşma ve tozlu gazlar BIOGAZ uygulamaları	Haftalık

5.2 Harici silicagel kartuşu

Sayaç zorlu çevre şartlarında montajı için harici bir silicagel kartuşu ile ekipmanlı olabilir. Kartuşu değiştirmek için, eski kartuşun vidalarını çıkartınız, yeni kartuşun koruyucu tapasını çıkartınız ve numaratorün içine vidalayınız.

5.3 Kontrol ve tamir

Uygun tesisat döşeme ve sayacın işlerliği numaratorün (sayacın doğru bir şekilde saydığını kontrol etmek için) görsel kontrolü ile kontrol edilebilir.

Fluxi 2000/TZ in doğru işlerliğini bir dönüş testi uygulaması ile kontrol etmek mümkündür. Bu test türbin

mil yatağının nihai sürtünmesi ile ilgili bilgiler verecektir.

Test aşağıdaki gibi yürütülmelidir:

- Türbin çarkını Qmax'ın yaklaşık %30'u ile %50'si oranında hızlandırınız ve türbin çarkı duruncaya kadar ölçünüz.
- Türbin çarkı duruncaya kadar dönüş zamanını (ST) ölçünüz.

Dönüş zamanının tipik değerleri için Ek 6'ya bakınız.

Aşağıdaki tavsiyeler tamir için yerine getirilmelidir:

- Agresif veya tehlikeli gaz ile kullanımı durumunda, ölçülen gaz tipini detaylandırarak, sayaç ile güvenlik durumu göndermek gerekli olabilir.
- Bazı gazlar sayacın ve borunun içerisinde hâlâ mevcut olabilir; o nedenle yeterli havalandırma istenmektedir.
- Tamir ve bakım, eğitimli veya kalifiye personel tarafından gösterilmelidir. Sonradan 1.1 x PS (Pmax) ile sıklık testi gerçekleştirilmelidir.
- Basınç-mil yatakları parçaları değiştirildiği zaman, PED ile uyumlu yedek parçaların kullanıldığından emin olunuz.
- Doğru yedek parçalar Dresser Utility Solutions'a sayacın seri numarasını vererek.
- Eğer ıslak gaz ile kullanılıyorsa, korozyonun iç ve dış etkisi düzenli olarak kontrol edilmelidir ve ciddi bir korozyon durumunda sayaç değiştirilmelidir.
- Sayacı temizlemek için solvent ve alkolsüz temizleme ürünleri kullanınız.

1. Características	33
2. Recebimento do Fluxi 2000/TZ.	33
2.1 Embalagem	33
2.2 Estocagem	33
2.3 Manuseio	33
3. Instalação	33
3.1 Recomendações Gerais	34
3.2 Recomendações para Instalação	34
3.3 Partida	34
3.3.1 Instalação com somente uma válvula à montante.	34
3.3.2 Instalação com válvulas à montante e à jusante	34
3.3.3 Instalação com by-pass	34
4. Transmissores.	34
5. Manutenção	35
5.1 Lubrificação	35
5.2 Cartucho externo de silicagel	35
5.3 Inspeção e reparo.	35
6. Características	44

Mantenha este manual com acesso fácil para todos os usuários.

Por favor, respeite todas as regras nacionais para instalação, operação e serviços com medidores de gás.

Todas as aprovações são válidas somente se não forem realizadas alterações estruturais significativas no dispositivo.

1 Características

Medidores Fluxi 2000/TZ são projetados para medir gases da primeira, segunda e terceira famílias como especificado na EN437, assim como vários gases filtrados, não incendiável e não corrosivos.

Medidores de gás turbina são medidores de fluxo. O fluxo de gás gira a turbina do medidor e a velocidade de rotação da turbina é proporcional à velocidade linear do gás. O movimento é transmitido mecanicamente para o totalizador através de um acoplamento magnético.

Características detalhadas são dadas no Anexo 5.

2 Recebimento do Fluxi 2000/TZ

2.1 Embalagem

O medidor, dependendo do tamanho, é entregue em embalagem individual de papelão ou em caixa de madeira. A embalagem contém os conectores para os transmissores instalados, o manual em vários idiomas e o lubrificante, quando uma bomba de óleo está instalada.

2.2 Estocagem

Se o medidor não for utilizado imediatamente, ele deve ser guardado coberto em um ambiente limpo e seco. As proteções colocadas na entrada e na saída do medidor devem ser mantidas no lugar até a instalação. Temperatura de estocagem: -40°C até +70°C.

2.3 Manuseio

Os medidores devem ser manuseados com cuidado. Eles devem ser içados com talha e/ou cintas adequadas que devem ser passadas ao redor do corpo ou através dos olhais.

3 Instalação

3.1 Recomendações Gerais: Ver anexo 1 e a Informação PED no anexo 7.

- O modelo Fluxi 2000/TZ padrão é projetado para ser usado com gases limpos e não corrosivos. Para uso com gases agressivos, por favor, contate Dresser Utility Solutions para versões especiais.
- O medidor foi projetado para ser instalado em uma zona ATEX 0, sendo que dentro da rede de tubulação

só são permitidas composições de gás não inflamáveis. Isso pode requer, por motivos de ATEX, uma inertização antes do uso inicial com gases de combustão. O mesmo se aplica ao recomissionamento.

- Além disso, verifique a facilidade de movimentação soprando-o antes da instalação na tubulação.
- Quando usado na zona 0 da ATEX, os Peças de alumínio devem ser protegidos contra processos de fricção ou impacto por de componentes de aço enferrujado por meio de uma instalação adequada para evitar a geração de uma ignição.
- (1) Antes da instalação, verifique visualmente se o medidor não foi danificado durante o transporte.
- (2) Não realize trabalhos de solda na tubulação com o medidor já instalado.
- (3) O medidor deve ser instalado à tubulação sem sofrer tensionamentos. Os flanges devem ser corretamente alinhados. O torque de aperto nos parafusos durante a instalação não deve ser excedido:

M16	M20	M24	M27	M30	M33	≥ M36
120 Nm	200 Nm	300 Nm	400 Nm	550 Nm	700 Nm	1200 Nm

- Por favor, aperte os parafusos em pares diagonalmente opostos. Juntas de qualidade adequada devem ser utilizadas.
- (4) Para garantir a precisão, o medidor deve ser instalado com uma tubulação reta na entrada de no mínimo 2 DN.
- Após o medidor, não há restrições. Veja detalhes no Anexo 2.
- (5) Se o medidor está equipado com uma bomba de óleo, vire o reservatório de acordo com a posição de instalação.
- (6) Conexões dos transmissores: Medidores de gás são freqüentemente instalados em áreas onde existem riscos de presença de gases. Por esta razão, as conexões elétricas ao medidor devem ser feitas levando-se em consideração o uso de equipamentos que tenham a marca "Ex", ou então, circuitos aprovados. Para saber onde, como e o valor de pulso (LF1 e LF2), observe a identificação no mostrador do medidor.
- (7) Partículas de sujeira podem danificar a turbina do medidor. Portanto, o uso de peneiras e filtros são recomendados.
- (8) Picos de pressão devem ser evitados durante a partida para preservar o rotor da turbina. Para prevenir danos durante o início de operação, incremente a pressão lentamente a uma taxa inferior a 0,3 bar por segundo.

3.2 Instalação recomendada

Medidores tipo turbina são medidores de fluxo e por esta razão, sua metrologia pode ser afetada por distúrbios existentes no fluxo de gás.

O Fluxi 2000/TZ foi projetado para ter baixa sensibilidade à estes distúrbios. Ele pode ser instalado com uma pequena tubulação reta à montante. Nenhum trecho reto à jusante do medidor é necessário. Veja detalhes no Anexo 2.

Uma precisão ainda melhor pode ser obtida se respeitadas as seguintes regras:

- Use preferencialmente curvas com grandes raios (≥ 5 DN) na entrada do medidor;
- Para variações no diâmetro, use preferencialmente peças concêntricas convergentes ou divergentes; variações repentinas devem ser evitadas;
- Obstáculos como poço de temperatura não devem ser colocados dentro dos 2 DN à montante do medidor. As juntas devem ser corretamente centradas entre os flanges e não devem ter protuberâncias para dentro da tubulação;
- Os poços de temperatura montados ao medidor podem ser instalados ou removidos sem a necessidade de calibração do medidor.

3.3 Partida

3.3.1 Instalação com apenas uma válvula à montante

Abra a válvula lentamente até o medidor iniciar a operação. Incremente lentamente a pressão na tubulação à jusante do medidor (máx. 0,3 bar/segundo). Quando a pressão à jusante estiver estabilizada, abra a válvula completamente.

3.3.2 Instalação com válvula à montante e à jusante

Feche a válvula à jusante do medidor. Abra lentamente a válvula à montante (máx. 0,3 bar/segundo). Quando a pressão estiver estabilizada no medidor, abra com cuidado a válvula à jusante de modo à manter a pressão no medidor e evitar vazão excessiva.

3.3.3 Instalação com by-pass

Feche todas a válvulas. Lentamente, abra o " by-pass " e espere até a pressão à jusante estabilizar. Então proceda conforme §3.3.2. Feche o " by-pass ".

Após a partida, por favor, verifique a estanqueidade da pressão da instalação. Verifique também que a vazão máxima do medidor não seja ultrapassada.

4 Transmissores

O Fluxi 2000/TZ é equipado como padrão com 2 saídas de baixa frequência (LF) de contato seco e um sensor anti-fraude (AT).

Transmissores instalados como opção:

- Transmissores indutivos de média (MF) ou alta frequência (HF).
- Um sensor Cyble pode ser instalado no totalizador a qualquer momento, ver anexo 3. O sensor Cyble é um transmissor livre do efeito bounce. Também permite a contagem de eventual fluxo reverso.
- Um transmissor de rotação projetado conforme a EN12661 pode ser fixado no totalizador e pode ser usado para acionar acessórios removíveis. O máximo torque aplicável no eixo de saída, como indicado no dispositivo, deve ser respeitado. Quando não usado, a tampa de proteção deve permanecer no local.

Comentários sobre o uso do medidor em áreas potencialmente explosivas (ATEX):

- Transmissores de pulso devem ser conectados a circuitos intrinsecamente seguros.
- Limpar o totalizador apenas com pano úmido.
- No lado da instalação, devem ser consideradas as distâncias de ar e de fluência do conector do cabo
- O medidor deve ser levado em consideração na avaliação de risco de descarga elétrica na instalação completa.
- Ferramentas utilizadas para instalação, remoção ou reparo em campo devem ser apropriadas para uso em áreas de risco, tendo em mente que classificação da área explosiva durante a troca do medidor pode ser diferente de quando o medidor está em condições normais de operação.
- O medidor não deve ser exposto ao fogo, radiação ionizante, ultra-som ou forte campo eletromagnético.
- Devem ser consideradas as condições de temperatura ambiente, incluindo possíveis efeitos adicionais de aquecimento devido a outros dispositivos nas imediações.

Valores de pulsos e máximas frequências são apresentadas no anexo 5.

Características elétricas e a fiação do soquete são apresentadas no anexo 4. A pinagem do transmissor é mostrada na placa de identificação do medidor.

Proteção dos soquetes: Quando um transmissor não é

utilizado, a capa plástica deve permanecer roscada para proteger os contatos elétricos do soquete.

5 Manutenção

Quando instalado corretamente e colocado em serviço, o Fluxi 2000/TZ não precisa de atenção particular e proporcionará muitos anos de serviço satisfatório.

5.1 Lubrificação

Medidores equipados com bomba de óleo devem ser lubrificados periodicamente.

Óleo é entregue com o medidor. Óleo específico deve ser usado, por exemplo:

- Fluido Aeroshell 12 MIL6085A
- Isoflex PDP38 (Klüber)
- Anderol 401D (Óleo Mobil)
- Univis P38 (Shell)

Quantidade de óleo a ser preenchida:

No comissionamento, preencher o volume entre a) bomba e os rolamentos

DN	Vol. Óleo (cm3)	Empurrar
50/80	4	20
100	5	25
150/200	6	30
≥250	7	35

- b) Em serviço

DN	Vol. Óleo (cm3)	Empurrar
50/80	0.5	2-3
100	0.8	4
150/200	1.0	5
≥250	1.2	6

- c) Periodicidade de lubrificação recomendada

Aplicação	Periodicidade de lubrificação
Gás seco, sem poeira	6 meses
Gás compreendendo condensados leves e pouca poeira	Mensalmente
Gás com alta porcentagem de condensados e poeira Aplicações para o BIOGAS	Semanalmente

5.2 Cartucho externo de silicagel

O medidor pode ser equipado com cartucho externo de silicagel para condições ambientais extremas. Para substituir, desparafuse o cartucho antigo, remova o plug de proteção do novo cartucho e parafuse-o ao totalizador.

5.3 Inspeção e reparo

A correta instalação e funcionamento do medidor podem ser verificados por um controle visual do totalizador (checar se o medidor funciona corretamente). É possível checar o bom funcionamento do Fluxi 2000/TZ

pela aplicação do teste de rotação (Spin Test). Este teste dará informação sobre um eventual atrito nos rolamentos da turbina.

O teste deve ser conduzido como segue:

- Acelerar a turbina aproximadamente de 30 à 50% de Q_{máx} para medir o tempo até sua parada.
- Meça o tempo de rotação (Spin Time) até a turbina parar.

Veja no anexo 6 os valores típicos do tempo de rotação.

As seguintes recomendações devem ser observadas para o reparo:

- No caso de uso com gases agressivos ou perigosos, pode ser necessário o envio de um atestado de segurança com o medidor, detalhando o tipo de gás que poderá ser medido.
- Alguns gases podem ainda estar presentes dentro do medidor e da tubulação; portanto, ventilação suficiente se faz necessária.
- Reparos e manutenções devem ser feitos por pessoal treinado e qualificado. Após, um teste de estanqueidade com 1.1x P_{máx} deve ser realizado.
- Quando substituir peças sujeitas à pressão, assegure-se que as mesmas estejam conforme a tabela PED (Anexo 7).
- As peças sobressalentes são conseguidas através do modelo do medidor.
- Se usado com gás úmido, o efeito interno ou externo da corrosão deve ser checado regularmente e em caso de corrosão severa, o medidor deve ser substituído.
- Use solvente e produto livre de álcool para limpar o medidor.

1. Jellemzők37
2. A Fluxi 2000/TZ fogadása37
2.1. Csomagolás37
2.2. Tárolás37
2.3. Kezelés37
3. Telepítés37
3.1. Általános javaslatok37
3.2. Javasolt telepítés38
3.3. Indítás38
3.3.1. Telepítés csak egy bemeneti szeleppel38
3.3.2. Telepítés bemeneti és kimeneti szelepekkel38
3.3.3. Telepítés38
4. Jeladók38
5. Karbantartás39
5.1. Kenés39
5.2. Külső szilikagél patron39
5.3. Felülvizsgálatok és javítások39
6. Melléklet44

Jól őrizze meg jelen útmutatót. Minden felhasználó számára könnyen elérhető helyen tárolja.

Kérjük, tartsa be a gázmérőórák telepítésére, üzemeltetésére és szervizelésére vonatkozó nemzeti jogszabályokat.

Minden jóváhagyás csak addig érvényes, amíg a készüléken nem történik jelentős szerkezeti változtatás.

1 Jellemzők

A Fluxi 2000/TZ mérőket az EN437 szerint meghatározott 1-es, 2-es és 3-as gázcsoportokba tartozó gázok és számos további szűrt, nem gyúlékony és nem korrodáló gáz mérésére tervezték.

A turbinás gázmérők áramlásmérők. A gáz áramlása forgatja a turbinakereket, a turbina forgási sebessége pedig arányos a gáz lineáris sebességével. A mozgást a mágneses kuplung mechanikusan viszi át a számláló műszerre. A részletes jellemzőket az 5. melléklet adja meg.

2 A Fluxi 2000/TZ fogadása

2.1 Csomagolás

A mérőóra a kiszállított méret függvényében egyedi kartondobozban vagy fa dobozban, raklapon kerül kiszállításra. A csomagolás tartalmazza a telepített transzmitterek dugaszait és a kenőanyagot, ha olajszivattyú került telepítésre.

2.2 Tárolás

Ha a mérőórát nem használják belátható időn belül, azt tiszta és száraz környezetben, letakarva kell tárolni. A bevezető és kivezető csövekre rögzített sapkáknak a telepítésig a helyükön kell maradniuk. Tárolási hőmérséklet: -40°C és +70°C között.

2.3 Kezelés

A mérőórát körültekintéssel kell kezelni. A mérőórákat csak a fő készülékház körül elvezetett vagy a nyílásokba helyezett hevederekkel szabad megemelni.

3 Telepítés

3.1 Általános javaslatok: Lásd az 1. mellékletet és a 7. mellékletben lévő PED információkat.

- A Fluxi 2000/TZ standard modellje tiszta és nem agresszív gázok mérésére lett tervezve. Agresszív gázok mérésére kérjük lépjen kapcsolatba az Dresser Utility

Solutions céggel speciális verzióért.

- A gázmérőt úgy tervezték, hogy ATEX 0 zónába telepíthető legyen, azonban a csőhálózaton a mérőszakaszon belül csak nem gyúlékony gázösszetétel jelenléte megengedett. Ez az ATEX előírásoknak megfelelően inertizálást tesz lehet szükségessé az éghető gázokkal történő első használat előtt. És ugyanez vonatkozik az újbóli üzembe helyezésre is.
- A csővezetékbe történő beépítés előtt befúvással ellenőrizze a gázmérőket könnyű forgását!
- ATEX 0 zónában történő használat esetén az Alumínium alkatrészek gázmérőket megfelelő beépítéssel védeni kell a rozsdás acél alkatrészek sűrűlódásától vagy ütődésétől, hogy megakadályozzuk a begyulladás kialakulását!
- (1) A telepítés előtt ellenőrizze szemrevételezéssel, hogy a mérőóra nem károsodott-e a szállítás során.
- (2) NE hegyesse a csővezetékét, ha arra mérőt telepítettek.
- (3) A gázmérőórát a csőrendszerre kifejtett erőteljes hatás nélkül szerelje fel. A karimáknak pontosan kell illeszkedniük. A csavarok meghúzási nyomatékértékeit nem szabad túllépni:

M16	M20	M24	M27	M30	M33	≥ M36
120 Nm	200 Nm	300 Nm	400 Nm	550 Nm	700 Nm	1200 Nm

Kérjük, a csavarokat egymással szemben váltakozva szorítsa meg. Használjon megfelelő minőségű peremtömítéseket.

- (4) A pontosság biztosítása érdekében a mérőket egyes, legalább 2 DN-es bemeneti csővezetékkel kell telepíteni, kimeneti korlátozások nélkül. A részletekről lásd a 2. mellékletet.
- (5) Ha a mérőt olajszivattyúval szerelték fel, akkor forgassa az olajtartályt a telepítési helyzet szerint.
- (6) Transzmitterek csatlakoztatása: A gázmérőket gyakran telepítik olyan területekre, ahol gáz jelenléte veszélye áll fenn. Ezért a mérők villamos csatlakoztatásait a robbanásbiztos jelölésű berendezések vagy más jóváhagyott körök figyelembe vételével kell kialakítani. A dugaszok kiosztását és az impulzusértékeket lásd a fő adattáblán.
- (7) A szennyeződésszemcsék károsíthatják a turbinakereket, ezért javasolt indítási sziták és szűrők használata.
- (8) A nyomásingadozások elkerülendők az indítás és üzem alatt, a turbinakerék megóvása érdekében. Az indítás során fellépő károsodások elkerülése érdekében, másodpercenként 0,3 bar értéknél lassabban, óvatosan növelje a nyomást.

3.2 Javasolt telepítés

A turbinás mérők áramlásmérők, ezért metrológiájukat befolyásolhatják a gázáramban lévő zavarok.

A Fluxi 2000/TZ készüléket úgy terveztük, hogy alacsony érzékenysége legyen az áramlási zavarokra. Telepíthető egy minimális egyenes felszálló csőhosszal. A leszálló ághoz nem szükséges minimális egyenes cső használata. A részletekről lásd a 2. mellékletet.

Még nagyobb pontosság érhető el a következő szabályok betartásával:

- Használjon lehetőleg nagy sugarú (≥ 5 DN) könyökidomokat a mérő bemenetéhez történő telepítéshez.
- Az átmérő eltéréseihez használjon lehetőleg koncentrikus konvergens és divergens darabokat. A hirtelen változások elkerülendők.
- Az olyan akadályok, mint pl. a hőmérőhüvelyek nem nyúlhatnak be a csőbe a mérő felmenő ágának 2 DN mértékén belül. A tömitéseket megfelelően kell központosítani a karimák között és azok nem nyúlhatnak be a csövezetékbe.
- A beépített hőmérőhüvelyek anélkül telepíthetők, vagy távolíthatók el, hogy a mérőt kalibrálni kellene.

3.3 Indítás

3.3.1 Telepítés csak egy bemeneti szeleppel

Nyissa ki lassan a szelepet, míg a mérő el nem kezd működni. Lassan növelje a nyomást a kimenő ágban (max. 0,3 bar/mp). Ha a kimenő nyomás stabilizálódott, nyissa ki teljesen a szelepet.

3.3.2 Telepítés bemeneti és kimeneti szelepekkel

Zárja le a kimeneti szelepet. Nyissa ki lassan a bemeneti szelepet (max. 0,3 bar/mp). Ha a nyomás stabilizálódott a mérőben, nyissa ki óvatosan a kimeneti szelepet a nyomás mérőben való fenntartása és túláram elkerülése érdekében.

3.3.3 Telepítés áthidalóval (By-pass)

Zárja le az összes szelepet. Nyissa ki lassan az áthidalót és várja meg, míg a kimenő nyomás stabilizálódik. Folytassa ezután a 3.3.2 §-nál leírtakkal. Zárja le az áthidalót.

Az indítás után ellenőrizze a telepítés nyomásállóságát, gáztömörségét. Ellenőrizze azt is, hogy a mérőben lévő maximális áramlási arány nem kerül-e túllépésre. $Q < Q_{max}$

4 Jeladók

A Fluxi 2000/TZ standard kiserelésben 2db alacsony frekvenciás (LF) REED kapcsolóval és manipulálás elleni védőkapcsolóval (AT) felszerelt.

A opcionálisan rendelhető jeladók:

- induktív közepes (MF) vagy magas frekvenciájú (HF) jeladók
- Cyble szenzor utólag telepíthető a számlálószerkezetre, erről lásd a 3. mellékletet. A Cyble szenzor egy ugrásmentes transzmitter. Lehetővé teszi az esetleges visszaáramlások számlálását is.
- A mechanikai kihajtás kivitelezése EN 12661 szerinti és az felszerelhető a számláló műszerre. Használható az meghajtásához kapcsolódó eltávolítható tartozékokhoz. A kimeneti tengelyen jelzett, maximálisan engedélyezett nyomatékérték betartása kötelező. Ha a készülék nincs használatban, akkor a védősapkát rajta kell hagyni.

Megjegyzések a mérő használatára potenciálisan veszélyes területeken (ATEX):

- Az impulzus jeladókat belső biztonsági körökre kell csatlakoztatni.
- Csak a mérő fejét tisztítsa meg átitatott törlőkendővel.
- A szerelési oldalon figyelembe kell venni a kábelvezetékek hézag- és kúszóáramutak és léghézagok.
- A mérőóra teljes telepítését villámcsapás veszélye tekintetében is át kell gondolni.
- A mérő helyszíni telepítéséhez, eltávolításához vagy javításához használt szerszámoknak meg kell felelniük veszélyes területeken való használatnak, szem előtt tartva, hogy a veszélyes területek besorolása a mérőóra cseréje során eltérhet a mérőóra normál működési körülményeitől.
- Figyelembe kell venni a környezeti hőmérsékleti feltételeket, ideértve az eszköz közvetlen közelében található egyéb eszközök által okozott lehetséges hőhatásokat.

A mérőórát nem szabad kitenni nyíltlángnak, ionizáló sugárzásnak, ultrahangnak vagy erős elektromágneses mezőknek.

Az impulzusértékeket és a maximális frekvenciaértékeket az 5. mellékletben található.

A konnektorok kábelezésének villamos jellemzői a 4. mellékletben található. A jeladók kábelezéséről a mérő típus táblája ad tájékoztatást.

A konnektorok védelme: Ha a jeladók nincsenek használatban, a műanyag sapkákat fel kell csavarozni a konnektorok villamos érintkezőinek védelme érdekében.

5 Karbantartás

Megfelelően használva és beüzemelve a Fluxi 2000/TZ nem igényel különösebb figyelmet és sok éven át megfelelő szolgálatot teljesít.

5.1 Kenés

Az olajszivattyúval felszerelt mérőket időszakonként kenni kell.

Az olaj a mérővel együtt kerül kiszállításra. Specifikus olajat kell használni, pl.:

- Aeroshell fluid 12 MIL6085A
- Isoflex PDP38 (Klüber)
- Anderol 401D (Mobil Oil)
- Univis P38 (Shell)

A betöltendő olaj mennyisége:

a) Üzembe helyezéskor a betöltött úrtartalom a szivattyú és a csapágycsatló között legyen.

DN	Olajmenny (cm ³)	Tolni
50/80	4	20
100	5	25
150/200	6	30
≥250	7	35

b) Üzemben

DN	Olajmenny (cm ³)	Tolni
50/80	0,5	2-3
100	0,8	4
150/200	1,0	5
≥250	1,2	6

c) Javasolt kenési időtartam

Alkalmazás	Kenési időtartam
Száraz gáz, pormentes	6 havonta
Enyhe kondenzátum és kevés por mennyiség a gázban	havonta
Magas kondenzátum és por mennyiség a gázban BIOGÁZ alkalmazások	hetente

5.2 Külső szilikagél patron

A mérőóra külső szilikagél patronnal szerelhető fel zord környezeti feltételek melletti telepítéshez. A patron cseréjéhez csavarozza ki a régi patron, távolítsa el a védődugót az új patronról és csavarozza azt a számláló műszerre.

5.3 Felülvizsgálatok és javítások

A mérő megfelelő telepítése és működése a számlálóműszeren vizuális ellenőrizhető. Lehetőség van arra is, hogy ellenőrizzék a Fluxi 2000/TZ megfelelő működését egy forgatási teszttel. Ez a teszt információt ad a turbina golyós csapágycsatlóiban lévő esetleges törésekről.

A tesztet a következők szerint kell elvégezni:

- Gyorsítsa a turbinakereket kb. a Q_{max} 30-50%-ának mértékéig, majd mérje meg azt az időt, míg a turbina kereke leáll.
- Mérje meg a forgási időt (ST), míg a turbina kereke le nem áll.

A forgási idők tipikus értékeiről lásd a 6. mellékletet.

A következő ajánlásokat kötelező betartani a javításokhoz:

- Amennyiben agresszív vagy veszélyes gázokat használ, akkor szükség lehet biztonsági nyilatkozat megküldésére a mérővel együtt, melyben részletezik a mért gáz típusát.
- Valamennyi gáz még jelen lehetnek a mérőórán és a csőben, ezért szükséges a megfelelő szellőzés biztosítása.
- A javítási és karbantartási munkálatokat képzett vagy betanított személyzet végezheti. Ezután gáztömörégi tesztet kell végezni 1.1 x PS (P_{max}) értékkel.
- Ha nyomástartó alkatrészeket cserél, győződjön meg arról, hogy a tartozékok megfelelnek a PED előírásainak.
- A megfelelő tartozékok, alkatrészek az Dresser Utility Solutions mérők sorozatszámainak megadásával.
- Ha nedves gázokat használnak, úgy a korrózió külső hatásait rendszeresen kell ellenőrizni. Súlyos korrózió észlelése esetén a mérőt cserélni kell.
- A mérő tisztításához oldószerektől és alkoholtól mentes tisztítószer használható.

1. Charakteristiky41
2. Balení Fluxi 2000/TZ.41
2.1. Balení41
2.2. Skladování41
2.3. Manipulace.41
3. Instalace41
3.1. Všeobecná doporučení..41
3.2. Doporučená instalace42
3.3. Spuštění42
3.3.1. Instalace s ventilem před plynoměrem.42
3.3.2. Instalace s ventily před i za plynoměrem.42
3.3.3. Instalace s obtokem42
4. Vysílače.42
5. Údržba43
5.1. Mazání43
5.2. Vnější silikagel kazeta43
5.3. Kontrola a oprava.43
6. Příloha44

Uchovejte tento návod na snadno dostupném místě pro všechny uživatele. Prosíme, dodržujte všechny národní předpisy pro instalaci, provoz a servis plynoměrů. Všechna schválení jsou platná pouze tehdy, pokud na zařízení nebudou provedeny žádné významné konstrukční změny.

1 Charakteristiky

Plynoměry Fluxi 2000/TZ jsou navrženy pro měření plynů 1., 2. a 3. skupiny, jak je uvedeno v EN437, a také různé filtrované, nehořlavých a nekoroziivní plyny. Turbínové plynoměry jsou průtokoměry. Průtok plynu otáčí turbínovým kolem, kdy rotační rychlost turbíny je úměrná lineární rychlosti plynu. Pohyb je mechanicky přenášen na počítadlo pomocí magnetické spojky. Podrobné charakteristiky jsou uvedeny v Příloze č. 5

2 Převzetí Fluxi 2000/TZ

2.1 Balení

Podle dodané velikosti je plynoměr balený v samostatné lepenkové krabici nebo na dřevěné paletě. Balení obsahuje konektory pro instalované vysílače a mazivo, když je instalované olejové čerpadlo.

2.2 Skladování

Pokud nebude plynoměr ihned instalován, je nutné ho skladovat v suchém a čistém prostředí. Záslepky na vstupní a výstupní trubce nesmí být před instalací odstraněny. Teplota skladování: -40 °C to +70 °C.

2.3 Manipulace

S plynoměry musí být zacházeno opatrně. Zvedání je povoleno pouze pomocí zvedacích popruhů umístěných kolem hlavního těla nebo přichycených na zvedacích třmenech.

3 Instalace

3.1 Všeobecná doporučení

Viz Příloha č. 1 a informace PED v Příloze č. 7

- Standardní Fluxi 2000/TZ je navržen pro práci s čistými a neagresivními plyny. Pro použití s agresivními plyny, prosíme, kontaktujte Itron ohledně speciálních provedení plynoměrů.
- Měřidlo je uzpůsobeno k instalaci v zóně ATEX 0. Přičemž uvnitř potrubní sítě jsou povoleny pouze nehořlavé složky plynu. Uvedení do provozu v souladu s ATEX může vyžadovat inertizaci před prvním použitím s hořlavými plyny.
- Totéž platí pro opětovné uvedení do provozu.

Totéž platí pro opětovné uvedení do provozu.

- Před instalací do potrubí zkontrolujte snadnost pohybu plynoměrů fouknutím.
- Hliníkové součásti musí být při použití v zóně ATEX 0 chráněny před třením nebo nárazem rezavých ocelových součástí vhodnou instalací, aby se zabránilo vzniku jisker.

- (1) Před instalací vizuálně zkontrolujte, že plynoměr během dopravy nebyl poškozen.
- (2) Potrubí se NESMÍ svařovat, pokud je plynoměr nainstalován.
- (3) Plynoměr je nutné instalovat bez vyvolání pnutí v potrubí. Příruby musí být správně sestaveny. Uťahovací moment šroubů nesmí být překročen (Nm):

M16	M20	M24	M27	M30	M33	≥ M36
120 Nm	200 Nm	300 Nm	400 Nm	550 Nm	700 Nm	1200 Nm

Prosíme, dotahujte šrouby v protilehlých párech. Je nutné používat přírubové těsnění odpovídající kvality.

- (4) Pro zajištění přesnosti, musí být plynoměr instalován s rovnou vstupní trubicou minimálně 2 DN, bez omezení za plynoměrem. Viz detailní informace v Příloze č. 2.
- (5) Pokud je plynoměr vybaven olejovým čerpadlem, otočte olejovou nádrž podle polohy instalace.
- (6) Připojení vysílačů: Plynoměry jsou často instalovány v oblastech, kde je riziko přítomnosti plynu. Proto je nutné provést elektroinstalaci za použití zařízení kategorie Ex, nebo jinak schválených okruhů. Pro informace o připojení konektoru a hodnot impulzů viz hlavní technický štítek.
- (7) Nečistoty mohou poškodit turbínové kolo, proto doporučujeme použití vstupního sítka a filtru.
- (8) Pro ochranu turbínového kola je nutné zabránit tlakovým rázům při spuštění a během provozu. Pro zabránění poškození při spuštění zvyšujte tlak postupně rychlostí menší než 0,3 bar za sekundu.

3.2 Doporučená instalace

Turbínové plynoměry jsou průtokoměry, proto může být jejich měření ovlivněno rušivými vlivy při toku plynu. Plynoměr Fluxi 2000/TZ byl navržen tak, aby měl nízkou citlivost na rušení toku. Může být instalován s minimální délkou rovné trubky před plynoměrem. Viz podrobnosti v Příloze č. 2.

Nejvyšší přesnosti lze dosáhnout při dodržení následujících pravidel:

- Použití kolen s velkým poloměrem (≥ 5 DN) na vstupu do plynoměru.
- Při změně průměrů, použití nejlépe souosé konvergentních a divergentních kusů; nepoužívat náhle přechody.
- Překážky, jako teploměrné jímky, nesmí zasahovat do potrubí ve vzdálenosti do 2 DN před plynoměrem. Těsnění musí být správně vycentrované mezi přírubami a nesmí zasahovat do potrubí.
- Zabudované teploměrné jímky mohou být instalovány nebo odstraněny bez nutnosti kalibrace plynoměru.

3.3 Spuštění

3.3.1 Instalace s ventilem před plynoměrem

Pomalou otevřete ventil, dokud nezačne plynoměr fungovat. Pomalu zvyšujte tlak v potrubí za plynoměrem (max. 0,3 bar/sekundu). Jakmile se tlak za plynoměrem stabilizuje, otevřete ventil úplně.

3.3.2 Instalace s ventily před i za plynoměrem

Zavřete ventil za plynoměrem. Pomalu otevřete ventil před plynoměrem (max. 0,3 bar/sekundu). Jakmile je tlak v plynoměru stabilizován, pomalu otevřete ventil za plynoměrem, aby byl tlak v plynoměru zachován a nedošlo k přetížení.

3.3.3 Instalace s obtokem

Zavřete všechny ventily. Pomalu otevřete obtok a počkejte, až se tlak za plynoměrem stabilizuje. Pak pokračujte podle bodu 3.3.2. Uzavřete obtok. Po spuštění, prosíme, zkontrolujte těsnost instalace. Také zkontrolujte, že nedochází k překročení maximálního průtoku plynoměru.

4 Vysílače

Fluxi 2000/TZ je standardně vybaven 2 nízkofrekvenčními (LF) spínači s jazýčkovými kontakty a spínačem proti manipulaci (AT).

Vysílače instalované jako volitelná výbava:

- Indukční středněfrekvenční (MF) nebo vysokofrekvenční (HF) vysílače.
- Snímač Cyble lze nainstalovat na počítadlo kdykoliv, viz Příloha č. 3. Snímač Cyble je snímač chráněný proti zákmitům. Také umožňuje počítání eventuálních zpětných proudění.
- Mechanický pohon, navržený podle EN 12661, lze nainstalovat na počítadlo a lze jej použít pro pohánění přídatného příslušenství. Je nutné respektovat maximální krouticí moment uvedený na výstupní hřídeli. Pokud se plynoměr nepoužívá, nesmí se odstranit ochranná zátky.

Poznámky k použití plynoměru v potenciálně nebezpečných oblastech (ATEX):

- Vysílače impulzů musí být zapojeny v bezpečných okruzích.
- Hlavici plynoměru čistíte pouze hadrem navlhčeným ve vodě.
- Na straně instalace je třeba vzít v úvahu Vzdušná vzdálenost a povrchová cestakabelového konektoru.
- Při instalaci plynoměru je nutné vzít v potaz i riziko zásahem blesku celé instalace.
- Nástroje použité pro instalaci, demontáž nebo opravy plynoměru na místě musí být vhodného provedení pro použití v nebezpečném prostředí, kdy je nutné pamatovat, že klasifikace nebezpečného prostředí se může lišit při výměně plynoměru a běžném provozu plynoměru.
- Plynoměr nesmí být vystaven plamenům, ionizujícímu záření, ultrazvuku nebo silnému elektromagnetickému poli.

Hodnoty impulzů a maximální frekvence jsou uvedeny v Příloze č. 5.

Elektrické hodnoty jsou uvedeny v Příloze č. 4. Zapojení pinů konektorů vysílačů impulzů jsou uvedeny na štítku plynoměru.

Ochrana zásuvek: Pokud se vysílač nepoužívá, je nutné nainstalovat plastové krytky za účelem ochrany elektrických kontaktů zásuvek.

5 Údržba

Při správné instalaci a zprovoznění nevyžaduje Fluxi 2000/TZ zvláštní pozornost a poskytne vám roky bezproblémového provozu.

5.1 Mazání

Plynoměry vybavené olejovým čerpadlem musí být pravidelně mazány.

Olaj je dodáván s plynoměrem. Je nutné použít předepsaný olej, např.

- Aeroshell fluid 12 MIL6085A
- Isoflex PDP38 (Klüber)
- Anderol 401D (Mobil Oil)
- Univis P38 (Shell)

Objem olejové náplně:

a) Při uvedení do provozu naplňte objem mezi čerpadlem a ložisky

DN	Objem oleje (cm ³)	Stlačit
50/80	4	20
100	5	25
150/200	6	30
≥250	7	35

b) Při provozu

DN	Objem oleje (cm ³)	Stlačit
50/80	0,5	2-3
100	0,8	4
150/200	1,0	5
≥250	1,2	6

c) Doporučené intervaly mazání

Aplikace	Intervaly mazání
Suchý plyn, bez prachu	6 měsíců
Plyn s nízkým obsahem kondenzátu a prachu	Měsíčně
Plyn s vysokým obsahem kondenzátu a prachu.	
Aplikace pro bioplyn	Týdně

5.2 Vnější silikagelová kazeta

Při použití ve ztížených podmínkách lze plynoměr vybavit vnější silikagelovou kazetou. Kazetu je nutné vyměnit, jakmile změní svou barvu. Při výměně kazety odšroubujte starou kazetu, vyjměte ochrannou zátku z nové kazety a našroubujte ji do počítadla.

5.3 Kontrola a oprava

Správnou instalaci a funkci plynoměru lze ověřit vizuální kontrolou počítadla (kontrola, zda běží správně). Zkouškou rotace lze ověřit, zda Fluxi 2000/TZ MZ dobře funguje. Tato zkouška naznačí stav tření v kuličkových ložiscích turbíny.

Zkouška se provádí následovně:

- Zrychlete turbínové kolo na 30 až 50 % Qmax a změřte dobu do zastavení turbínového kola.
- Změřte čas rotace (ST) do zastavení turbínového kola.

Pro běžné hodnoty času rotace viz Příloha č. 6.

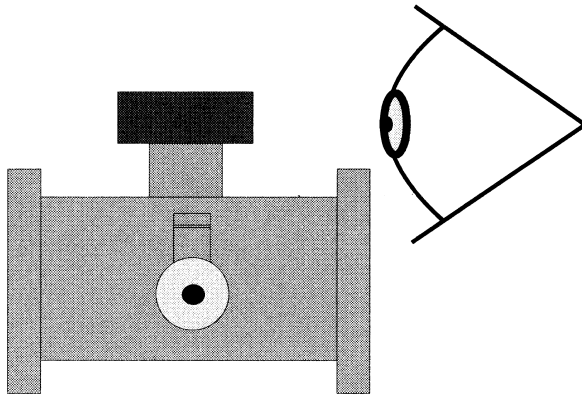
Při opravě je nutné dodržet následující doporučení:

- V případě použití s agresivním nebo nebezpečným plynem je nutné s plynoměrem poslat bezpečnostní prohlášení s uvedením podrobností ohledně typu plynu, který bude měřen.
- Je nutné zajistit dostatečné větrání, protože v plynoměru a potrubí se může ještě vyskytovat plyn.
- Opravy a údržbu musí provádět školený nebo kvalifikovaný personál. Následně je nutné provést zkoušku těsnosti při hodnotě 1,1 x PS (Pmax).
- Při výměně tlakových částí zajistěte, aby byly použity náhradní díly, které splňují PED.
- Při použití s vlhkým plynem je nutné pravidelně kontrolovat vnitřní a vnější korozi, a v případě zjištění vážné koroze, je nutné plynoměr vyměnit.
- Pro čištění plynoměru použijte čisticí prostředky bez rozpouštědel a alkoholu.

ANNEX 0: Applied standards for use in explosion hazardous areas / Normes appliquées pour une utilisation dans des zones à risque d'explosion / Angewandte Normen für den Einsatz in explosionsgefährdeten Bereichen / Norme applicate per l'uso in aree a rischio di esplosione / Normas aplicadas para uso en áreas con riesgo de explosión / Toegepaste normen voor gebruik in omgevingen met ontploffingsgevaar / Potansiyel olarak patlayıcı ortamlarda kullanım için uygulanan standartlar / Normas aplicadas para utilização em atmosferas potencialmente explosivas / Alkalmazott szabványok robbanásveszélyes légkörben való használatra / Použité normy pro použití v prostředí s nebezpečím výbuchu

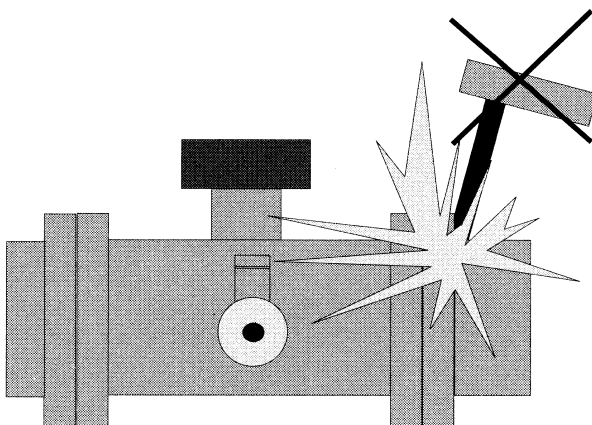
- EN IEC 60079-0:2018; IEC 60079-0 Edition 7; BS EN IEC 60079-0:2018
- EN 60079-11:2012; IEC 60079-11 Edition 6; BS EN 60079-11:2012
- EN ISO 80079-36:2016; ISO 80079-36 Edition 1; BS EN ISO 80079-36:2016
- EN ISO 80079-37:2016; ISO 80079 Edition 1; BS EN ISO 80079-37:2016

①



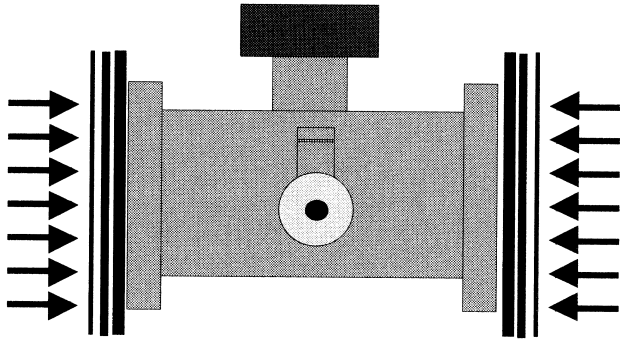
- Ⓓ Gerät auf einwandfreien Zustand überprüfen.
- Ⓔ Visual inspection.
- Ⓕ Contrôle visuel.
- Ⓘ Controllo visivo.
- Ⓔs Control visual del perfecto estado.
- Ⓓ Проверить устройство на его безупречное состояние.
- Ⓒhi 检查清楚。
- Ⓓo 장치의 정상상태를 점검하세요.
- Ⓓu 1. Vizuális ellenőrzés

②



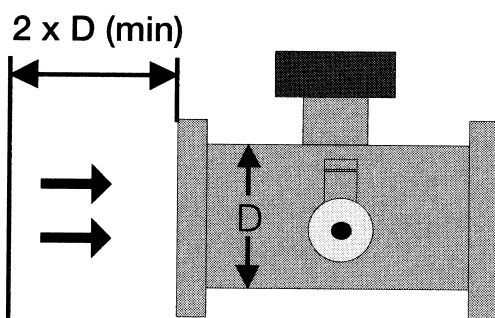
- Ⓓ Keine Schweißarbeiten bei dem installiertem Gerät vornehmen.
- Ⓔ No welding with installed meter.
- Ⓕ Pas de travaux de soudage compteur monté.
- Ⓘ Non effettuare saldature su contatore istallato.
- Ⓔs No efectuar trabajos de soldadura con el aparato instalado.
- Ⓓ Не проводить сварочных работ при включенном устройстве.
- Ⓒhi 禁止在安装后再加任何焊工。
- Ⓓo 설치된 장치에서 용접작업을 하지 마세요.
- Ⓓu 2. A hegesztés tilos beszerelt mérő esetén

3



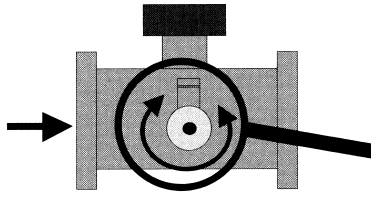
- Ⓓ Den Zähler spannungsfrei einbauen.
- Ⓔ Install meter tension free.
- Ⓕ Installation du compteur sans contraintes mécaniques.
- Ⓖ Istallazione del contatore evitando tensioni meccaniche.
- Ⓔ Instalar el contador evitando tensiones mecánicas.
- Ⓖ Смонтировать принадлежности, обеспечив обесточенное состояние.
- Ⓖ 防止挤压现象.
- Ⓖ 전원을 차단한 상태에서 카운터를 조립하세요.
- Ⓖ Feszültség mentesen elepítse a mérőt

4



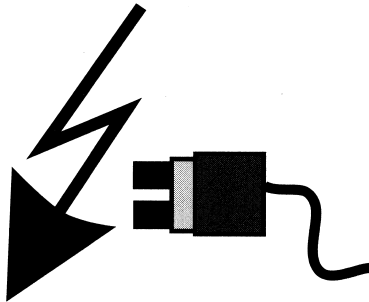
- Ⓓ Einlaufstrecke von mindestens 2 x D beachten
- Ⓔ Min. 2 x D for inlet distance
- Ⓕ 2 DN de longueur amont
- Ⓖ Min. 2 DN di lunghezza a monte
- Ⓔ Tener en cuenta la distancia de entrada mín. de 2 x D. -
- Ⓖ Соблюдать входной участок не менее 2 x D (подробности см. стр. 6).
- Ⓖ 入口距离: 2 x 直径.
- Ⓖ 입구간격을 최소한 직경의 2배로 설정하세요.
입구간격을 최소한 직경의 3배로 설정하세요.
- Ⓖ Min. 2 x D távolság a bemeneti oldalon

5



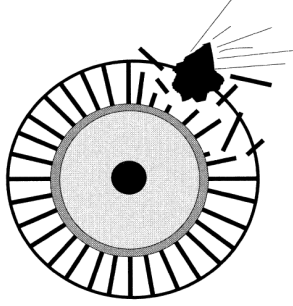
- Ⓓ Wenn der Zähler mit einer Ölpumpe versehen ist, bitte der Einbaulage horizontal / vertikal anpassen (horizontal = Standard).
- Ⓔ If the meter is equipped with oil pump, turn oil container according the installation position (horizontal = standard).
- Ⓕ Si compteur équipé d'une pompe à huile, tourner le réservoir selon l'orientation.
- Ⓖ Se il contatore è equipaggiato con pompa d'olio, installarlo nella posizione corretta (orizzontale = standard).
- Ⓔs Si el contador está dotado de una bomba de aceite, adaptar por favor la posición de montaje horizontal.
- Ⓔr Если счетчик оборудован маслоснасосом, то просьба согласовать горизонтальное / вертикальное монтажное положение (горизонтальное = стандарт).
- Ⓔh 如仪表配有油泵, 请调整油泵位置(根据仪表位置)
- Ⓔk 카운터를 오일펌프에 사용하시려면 설치방향을 수평 / 수직에 맞추세요. (정상상태 = 수평)
- Ⓔh Forgassa az olajpumpát a beépítési pozíciónak megfelelően

6



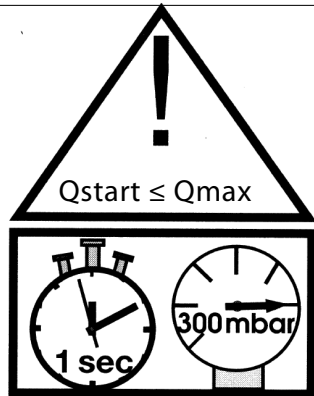
- Ⓓ Die Steckerbelegung und die Impulswertigkeiten finden Sie auf den Haupt- und Impulsgeberschildern
- Ⓔ For plug assignment and pulses refer to main and pulse transmitter name plate.
- Ⓕ Raccordement des émetteurs et poids d'impulsion, voir la plaque signalétique.
- Ⓖ Per la connessione dell'emettitore di impulso e per i peso impulso fare riferimento alla relativa placca segnaletica.
- Ⓔs Para la asignación de conectores y las valencias de impulsos ver la placa principal y la placa del transmisor de impulsos.
- Ⓔr Распределение штекера и значения импульсов просьба смотреть таблички главного и импульсного датчиков.
- Ⓔh 根据仪表上的说明, 安装脉冲掣.
- Ⓔk 플러그 배치와 임펄스 수치는 메인 및 임펄스 발신기에 적혀있습니다.
- Ⓔh Az impulzus bekötésekről tájékozódjon az adattábláról

7



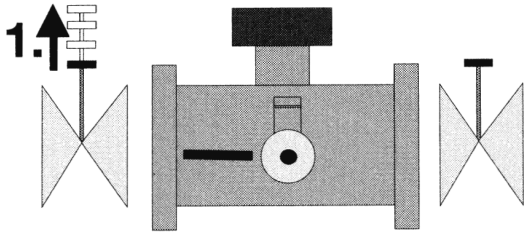
- (D)** Schmutzpartikel über 0,2 mm beschädigen das Turbinenlaufrad (im Zweifelsfall Anfahrseibe und zusätzliche Filter verwenden).
- (E)** Dirt particles above 0,2 mm do damage turbine wheel (use starting sieve and filter).
- (F)** Les particules de plus de 0,2 mm, peuvent endommager la turbine (utiliser tamis ou filtre).
- (I)** Le particelle di impurità superiori a 0,2 mm possono danneggiare la turbina (utilizzare appositi filtri).
- (Es)** Partículas de suciedad de más de 0,2 mm dañan el rodete de la turbina (en caso de dudas, utilizar tamices y filtros adicionales).
- (R)** Частицы грязи размером свыше 0,2 мм наносят повреждения рабочему колесу турбины (в случае сомнений использовать пусковые сетчатые и дополнительные фильтры).
- (Chi)** 杂质体积高於0.2mm, 会损坏轮叶。(必需安装过滤器)
- (Ko)** 크기가 2 밀리미터 이상인 먼지입자는 터빈 휠을 파손시킵니다. (필요한 경우에는 흡입부에 추가적인 필터를 사용하세요)
- (Hu)** 0,2mm feletti szennyeződések károsíthatják a turbinalapátot (használjon lapszűrőt)

8



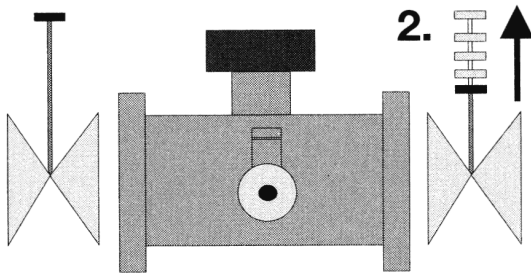
- (D)** Um Beschädigungen zu vermeiden, darf der Druckanstieg beim Anfahren 300 mbar pro Sekunden nicht überschreiten.
- (E)** In order to prevent damage, slowly increase the pressure below 300 mbar per second.
- (F)** Augmentation de pression maximum 0,3 bar par seconde.
- (I)** Per evitare danneggiamenti durante la fase di avviamento, l'aumento di pressione non deve superare i 300 mbar a secondo.
- (Es)** Para evitar daños, el incremento de presión durante la fase de arranque no deberá exceder 300 mbar por segundo.
- (R)** Во избежание повреждений повышение давления при пуске не должно превышать 300 мбар в секунду.
- (Chi)** 预防损坏仪表, 请在开阀加压时, 请保持每秒钟增加300mbar 以下的水平.
- (Ko)** 파손을 방지하기 위하여 시동시 압력증가를 초당 300 mbar를 초과해서는 안됩니다.
- (Hu)** A sérülések elkerülése érdekében csak lassan növelje a nyomást: max. 300mbar/másodperc

9



- Ⓓ Inbetriebnahme durch langsames Öffnen der 1. Absperrarmatur (2. Armatur bleibt geschlossen).
- Ⓔ Starting up with opening inlet valve very slowly while outlet valve is kept close (1).
- Ⓕ Mise en gaz : ouverture lente de la vanne amont (1) vanne aval fermé.
- Ⓖ Messa in gas: Aprire lentamente la valvola di monte (1) con valvola di valle chiusa.
- Ⓔ Puesta en marcha abriendo lentamente la válvula de admisión (1), mientras que la válvula de salida (2) permanece cerrada.
- Ⓓ Ввод в эксплуатацию осуществляется посредством медленного открытия 1-й запорной арматуры (2-я арматура остается закрытой).
- Ⓒ Chi 先緩慢地開動入口閥。
(出口閥尚關閉)
- Ⓕ Ko 시운전은 첫 번째 입구 밸브를 아주 천천히 여는 것으로 시작하세요. (두 번째 밸브는 닫겨있습니다.)
- Ⓖ Hu Lassan nyissa ki a bemeneti szelepet, mialatt a kimeneti szelep zárva van.

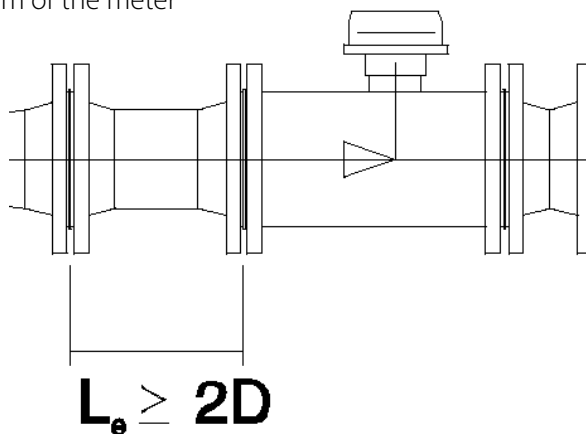
10



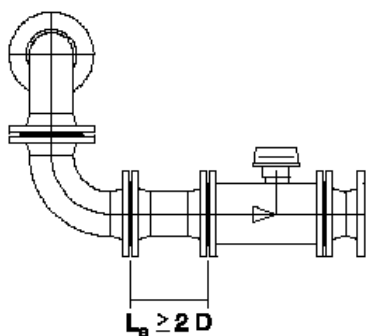
- Ⓓ Nachdem die 2. Absperrarmatur langsam geöffnet wurde, ist der Zähler betriebsbereit.
- Ⓔ After opening very slowly the outlet valve, the meter installation is finished (2).
- Ⓕ Après ouverture lente de la vanne aval la mise en service est terminée.
- Ⓖ La messa in servizio è terminata dopo l'apertura lenta della valvola a valle.
- Ⓔ Después de abrir lentamente la válvula de salida (2), el contador estará listo para el servicio.
- Ⓓ После того, как была медленно открыта 2-я арматура, счетчик готов к эксплуатации.
- Ⓒ Chi 然后再緩慢地將出口打開，安裝到此完畢。
- Ⓕ Ko 두 번째 밸브가 천천히 열려진 후에 카운터는 작업상태에 있게 됩니다.
- Ⓖ Hu Ezután lassan nyissa ki a kimeneti szelepet. A mérő beüzemelése befejeződött.

Low level perturbation installation

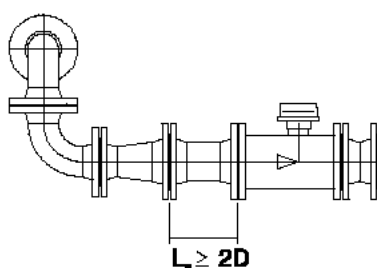
- ≥ 2 DN straight inlet upstream of the meter
- No restriction downstream of the meter



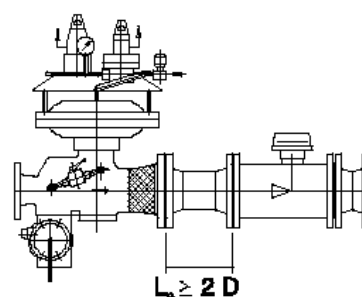
Bends in different planes



Divergent or convergent



Regulator equipped with built-in silencer



High level perturbation installation

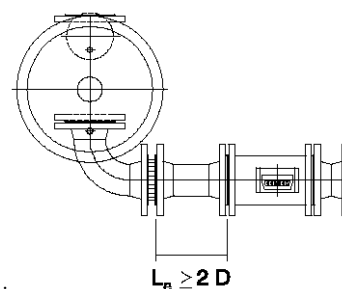
Example: After a regulator without built-in silencer

DN50-DN150

- ≥ 2 DN straight inlet upstream of the meter
- No restriction downstream of the meter

DN200-DN500

- ≥ 2 DN straight inlet upstream of the meter + an integrated flow conditioner
- or ≥ 2 DN straight inlet upstream of the meter + a external flow conditioner
- or ≥ 9 DN straight inlet upstream of the meter (PTB G13)
- No restriction downstream of the meter



ANNEX 3: Installation of the Cyble sensor / Installation du module Cyble / Installation des Cyble-Sensor / Installazione del Cyble Sensor / Instalación del módulo Cyble / Installatie van de Cyble Sensor / Cyble Sensor Montaji / Instalação do Sensor Cyble / A Cyble szenzor telepítése

1) Mounting

2) Screwing (Max torque: 0,25Nm)

3) Sealing



ANNEX 4: Transmitters / Emetteurs / Impulsgeber / Emettitori di impulsi / Emisores / Pulsgever / Vericiler / Transmissores / Jeladó

Unless on the nameplate noted the following electrical parameters shall be considered:

Characteristics	Low Frequency Transmitter (reed contact)		High & Medium Frequency Transmitter (inductive)
	For Non ATEX products	For ATEX products ** intrinsically safe circuits	For ATEX products *** intrinsically safe circuits
Power rating	Max. 10 W	Max. 120 mW	Max. 64 mW
Voltage (Break-down)	Max. 180 V dc	Max. 15 V dc	Max. 15 V dc
Current (Switching)	Max. 50 mA	Max. 50 mA	Max. 50 mA
Capacitance and Inductance	C=0F, L=0H	C=0F, L=0H	C=90nF, L = 250 µH
Operation temperature range	-30°C to +60°C	-30°C to +60°C	-30°C to +60°C

** Following recommend values Low Frequency Pulse Transmitters do not have any potential sources of ignition and shall be not marked according to directive 2014/34/EU.

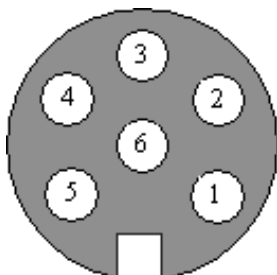
The device is free to be used in ATEX area as it is a simple apparatus as defined in EN 60079-11 §5.7.

*** Proximity detectors conform to EN60947-5-6 (NAMUR) standard.

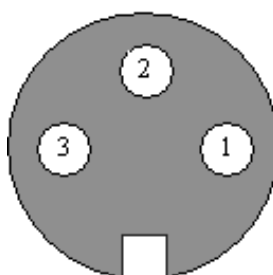
Characteristics	Low Frequency Transmitter (Cyble Module)
Contact power rating	Max. 1 W
Voltage (Break-down)	Max. 14.3 V dc
Current (Switching)	Max. 50 mA
Operation temperature range	-25°C to +55°C

Plugging of the meter (extern view of the socket installed on the meter)

LF, MF
DIN45326



HF
DIN41524



ANNEX 5: Technical characteristics / Caractéristiques techniques / Technische Charakteristik / Caratteristiche tecniche / Características técnicas / Technische details / Teknik Özellikler / Características Técnicas / Műszaki jellemzők

With the correction gears 32/40 (correction 0%)												
G size	DN (mm)	Max Flow (m ³ /h)	Range-ability	1 Imp LF & Cyble (m ³ /Imp)	Freq LF Qmax (Hz)	1 Imp MF (dm ³ /Imp)	Freq MF Qmax (Hz)	1 Imp HF2 (dm ³ /Imp)	Freq HF2 Qmax (Hz)	1 Imp HF3 (dm ³ /Imp)	Freq HF3 Qmax (Hz)	RPM Qmax (Rot/min)
G65	50	100	20	0,1	0,28	5,8947	4,71	-	-	0,00970	2864	14326
G100	80	160	20	1	0,04	23,07692	1,93	0,07593	585	0,03797	1171	5853
G160		250	20 or 30		0,07	23,07692	3,01	0,07593	915	0,03797	1829	9146
G250		400	20 or 30		0,11	39,11111	2,84	0,12869	863	0,06434	1727	8634
G160	100	250	20	1	0,07	23,07692	3,01	0,06271	1107	0,06271	1107	4153
G250		400	20 or 30		0,11	23,07692	4,81	0,06271	1772	0,06271	1772	6644
G400		650	20 or 30		0,18	39,11111	4,62	0,10628	1699	0,10628	1699	6371
G400	150	650	20	1	0,18	23,07692	7,82	0,15385	1174	0,15385	1174	3521
G650		1000	20 or 30		0,28	23,07692	12,04	0,15385	1806	0,15385	1806	5417
G1000		1600	20 or 30		0,44	39,11111	11,36	0,26074	1705	0,26074	1705	5114
G650	200	1000	20	10	0,03	230,7692	1,2	0,37661	738	0,37661	738	2613
G1000		1600	20 or 30		0,04	230,7692	1,93	0,37661	1180	0,37661	1180	3540
G1600		2500	20 or 30		0,07	391,1111	1,78	0,63829	1088	0,63829	1088	3264
G1000	250	1600	20	10	0,04	230,7692	1,93	0,57870	768	0,57870	768	1920
G1600		2500	20 or 30		0,07	230,7692	3,01	0,57870	1200	0,57870	1200	3000
G2500		4000	20 or 30		0,11	391,1111	2,84	0,98080	1133	0,98080	1133	2832
G1600	300	2500	20	10	0,07	218,1818	3,18	0,85763	810	0,85763	810	1735
G2500		4000	20 or 30		0,11	218,1818	5,09	0,85763	1296	0,85763	1296	2776
G4000		6500	20 or 30		0,18	391,1111	4,62	1,53739	1174	1,53739	1174	2517
G2500	400	4000	20	10	0,11	218,1818	5,09	2,04673	543	2,04673	543	1163
G4000		6500	20 or 30		0,18	218,1818	8,28	2,04673	882	2,04673	882	1890
G6500		10000	20 or 30		0,28	391,1111	7,10	3,66896	757	3,66896	757	1626

Dimensions (mm)

DN	L	L short*	A	A short*	B	B short*	C	D	E
50	150	-	60	-	45	-	125	150	175
80	240	-	96	-	60	-	150	170	180
100	300	-	124	-	82	-	175	180	195
150	450	335	185	92	126	101	205	215	205
200	600	-	240	-	175	-	230	245	240
250	750	-	275	-	273	-	300	275	270
300	900	-	360	-	300	-	300	300	300
400	1200	-	450	-	540	-	350	355	350

* Short version, same length as for the former NM meter

ANNEX 6: Spin test time / Temps d'arrêt / Spin-Test Zeit / Tempo di arresto / Tiempo de parada / Uitloop test tijd / Dönüş Test Zamanı / Tempo do teste de rotação / Forgási tesztidők

DN	Minimum starting Speed (RPM)	Maximum starting Speed (RPM)	Spin Time (seconds) "Typical ST "	
			Plastic turbine wheel	Alu turbine wheel
50	5000	8000	60	70
80	3000	5000	70	100
100	2000	3000	130	190
150	2000	3000	170	240
200	1000	2000	170	240
250	1000	2000		340
300	1000	2000		360
400	500	1000		380

ANNEX 7: PED information / Information DESP / Druckgeräterichtlinie Information / Informazioni PED / Información PED / Informatie PED / PED Bilgisi / Informação PED / PED információk

	TS= -30°C to +60°C						
	ISO PN10	ISO PN16	ISO PN20 ANSI150	ISO PN25	ISO PN40	ISO PN50 ANSI300	ISO PN110 ANSI600
PS (bar)	10	16	19,3	25	40	50,6	101,2
PT (bar)	15	24	30	38	60	76	152

DN	50	80	100	150	150*	200	250	300	400
V (dm ³)	0,4	1,24	2,7	9,3	6,9	21,2	39,4	71	151

* Short body

ANNEX 8: MID information / Information MID / MID Information / Informazioni MID / Información MID / Informatie MID / MID Bilgisi / Informação MID / MID információk

- Mechanical factors: Class M1
- Electromagnetic factors: E2 class
- Accuracy class: Class 1,0

Dresser Utility Solutions GmbH

Hardeckstr. 2

76185 Karlsruhe

T: +49 (0)721 / 5981 - 100

info.karlsruhe@dresserutility.com



www.dresserutility.com

© 2024 Dresser Utility Solutions GmbH – All rights reserved. Dresser Utility Solutions reserves the right to make changes in specifications and features shown herein, or discontinue the product described at any time without notice or obligation. Contact your Dresser Utility Solutions representative for the most current information. The Dresser Logo and all Trademarks containing the term "Dresser" are the property of Dresser, LLC, a subsidiary of Baker Hughes. Actaris™ is a trademark owned by Itron, Inc. and used under license.