

Delta[®] Rotary-Meters

224-099-2801

AO

Instruction manual

Mode d'emploi

Betriebsanleitung

Istruzioni d'uso

Manual de instrucciones

Installatie voorschrift

Kullanim Kilavuzu

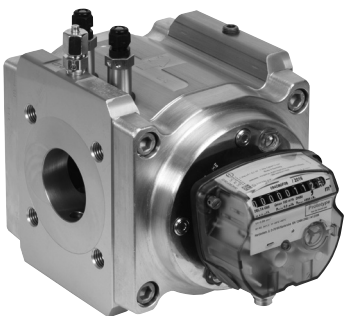
Manual de Instruções

Manual de instrucțiuni

사용 설명서

Használati kézikönyv

Rotacni plynometry





EN	FR	DE	ES	IT	PT	HU
EU DECLARATION OF CONFORMITY	DECLARATION UE DE CONFORMITE	EU KONFORMITÄTS-ERKLÄRUNG	DECLARACIÓN UE DE CONFORMIDAD	DICHIARAZIONE UE DI CONFORMITÀ	DECLARAÇÃO UE DE CONFORMIDADE	EU-MEGFELELŐSÉGI NYILATKOZAT

Type Designation

Gas meter: Rotary gas meter

Name and address of the manufacturer	Nom et adresse du fabricant	Name und Anschrift des Herstellers	Nombre y dirección del fabricante	Nome ed indirizzo del fabbricante	Nome e endereço do fabricante	A gyártó neve és címe
--------------------------------------	-----------------------------	------------------------------------	-----------------------------------	-----------------------------------	-------------------------------	-----------------------

Dresser Utility Solutions GmbH, Hardeckstraße 2, 76185 Karlsruhe, Germany

This declaration of conformity is issued under the sole responsibility of the manufacturer.	La présente déclaration de conformité est établie sous la seule responsabilité du fabricant.	Die alleinige Verantwortung für die Ausstellung dieser Konformitätserklärung trägt der Hersteller.	La presente declaración de conformidad se expide bajo la exclusiva responsabilidad del fabricante.	La presente dichiarazione di conformità è rilasciata sotto la responsabilità esclusiva del fabbricante.	A presente declaração de conformidade é emitida sob a exclusiva responsabilidade do fabricante.	Ezt a megfelelőségi nyilatkozatot a gyártó kizárólagos felelőssége mellett adják ki.
Object of the declaration	Objet de la déclaration	Gegenstand der Erklärung	Objeto de la declaración	Oggetto della dichiarazione	Objecto da declaração	A nyilatkozat tárgya

DELTA and DELTA S-Flow

The object of the declaration described above is in conformity with the relevant Union harmonization legislation and the corresponding harmonized standards	L'objet de la déclaration décrit ci-dessus est conforme à la législation communautaire d'harmonisation applicable ainsi qu'aux normes harmonisées associées	Der oben beschriebene Gegenstand der Erklärung erfüllt die einschlägigen Harmonisierungsrechtsvorschriften der Gemeinschaft und den entsprechenden harmonisierten Normen	El objeto de la declaración descrita anteriormente es conforme a la legislación comunitaria de armonización pertinente y las normas armonizadas correspondientes	L'oggetto della dichiarazione di cui sopra è conforme alla pertinente normativa comunitaria di armonizzazione e alle corrispondenti norme armonizzate	O objecto da declaração acima mencionada está em conformidade com a legislação comunitária aplicável em matéria de harmonização e as correspondentes normas harmonizadas	A fent leírt nyilatkozat tárgya összhangban van a vonatkozó uniós harmonizációs jogszabályokkal és a megfelelő harmonizált szabványokkal
---	---	--	--	---	--	--

2014/68/EU (PED) -DIN EN 12480:2007-09 -DIN EN 12480:2015 The used fluids are classified in group 1 according to article 13.	OJ L 189, Page 164, 27.04.2014	Module B + D (Category IV)				
2014/32/EU (MID) -DIN EN 12480:2018	OJ L 96, Page 149, 29.03.2014					
2014/34/EU (ATEX) -EN IEC 60079-0:2018 -EN 60079-11:2012 -EN ISO 80079-36:2016 -EN ISO 80079-37:2016	OJ L 96, Page 309, 29.03.2014					
2014/30/EU (EMC) -EN 60947-5-6:2000 -EN 60947-5-2:2007/A1:2012 -EN IEC 60947-5-2:2020	OJ L 96, Page 79, 29.03.2014					
2011/65/EU (RoHS) -EN IEC 63000: 2018	OJ L 174, Page 88, 01.07.2011					

Certificates issued by the notified body	Certificats délivrés par l'organisme notifié	von der notifizierten Stelle ausgestellte Bescheinigungen	Certificados emitidos por el organismo notificado	Certificati rilasciati dall'organismo notificato	Certificados emitidos pelo organismo notificado	bejelentett szervezet által kiállított igazolások
PED	Module D Module B - Type approval	TÜV SÜD Industrie Service GmbH (CE 0036); Westendstr. 199, D-80686 München	DVGW CERT GmbH Josef-Wirmer-Str. 1-3 D-53123 Bonn			
MID	Module D Module B - Type approval	Physikalisch-Technische Bundesanstalt (CE 0102) Bundesallee 100, D-38116 Braunschweig	Physikalisch-Technische Bundesanstalt Bundesallee 100, D-38116 Braunschweig			
ATEX	Module D Module B - Type approval	TÜV SÜD Product Service GmbH (CE 0123), Ridlerstr. 65 D-80339 München	Bureau Veritas Consumer Products Services Deutschland GmbH (CE 2004); Businesspark A96; D-86842 Türkheim			

Place and date of issue	Date et lieu d'établissement	Ort und Datum der Ausstellung	Lugar y fecha de expedición	Luogo e data del rilascio	Local e data da emissão	Kiállítás helye és dátuma
Karlsruhe, 18.06.2024						
Name, Function, Signature	Nom, Fonction, Signature	Name, Funktion, Unterschrift	Nombre, Cargo, Firma	Nome e cognome, Funzione, Firma	Nome, Cargo, Assinatura	Név, beosztás, aláírás

S. Corbière
Quality Manager

© Copyright 2023 Dresser Utility Solutions. All rights reserved.
Document no: D2035928 AN


To check for an updated version, please visit our website at www.dresserutility.com

RO	NL	TR	KOR
DECLARAȚIA UE DE CONFORMITATE	EU VERKLARING VAN OVEREENSTEMMING	AB UYGUNLUK BEYANI	EU 적합성 선언

Numele și adresa producătorului	Naam en adres van de fabrikant	Üretici firmanın adı ve adresi	제조업체의 이름과 주소
---------------------------------	--------------------------------	--------------------------------	--------------

Această declarație de conformitate este emisă sub responsabilitatea exclusivă a producătorului.	Deze conformiteitsverklaring wordt verstrekt onder de verantwoordelijkheid van de fabrikant.	Bu uygunluk beyanı, tamamen üreticinin sorumluluğu altında düzenlenmiştir.	이 적합성 선언은 전적으로 제조업체의 책임하에 발행됩니다.
Obiectul declarației	Onderwerp van de verklaring	Beyannamenin amacı	선언의 대상

Obiectul declarației descrise mai sus este în conformitate cu legislația relevantă de armonizare a Uniunii și cu standardele armonizate corespunzătoare	Het onderwerp van de hierboven beschreven verklaring is in overeenstemming met de relevante harmonisatiewetgeving van de Unie en de overeenkomstige geharmoniseerde normen	Yukarıda açıklanan beyannamenin amacı, ilgili Birlik uyumlaştırma mevzuatına ve ilgili uyumlaştırılmış standartlara uygundur.	위에 설명된 선언의 목적은 관련 연합의 일치된 법규 및 일치된 해당 표준을 준수하는 것입니다.
---	--	---	--

Certificate emise de organismul acreditat	Certificaten afgegeven door de aangemelde instantie	onaylanmış kuruluş tarafından verilen sertifikalar	해당되는 경우, 인증 기관에서 발급한 인증서
		Delta S-Flow: Delta:  II 1G Ex h ia IIC T5 Ga	DGR-0036-QS-955-23 CE-0085BM0420 DE-M-AQ-PTB009 DE-07-MI002-PTB018 DE-17-MI002-PTB001 EPS 22 ATEX 1 269 X

Locul și data emiterii	Plaats en datum van uitgifte	Yayın Yeri ve tarihi	발행 장소 및 날짜
------------------------	------------------------------	----------------------	------------

Nume, funcție, semnătură	Naam, functie, handtekening	İsim, Fonksiyon, İmza	이름, 기능, 서명
--------------------------	-----------------------------	-----------------------	------------

1	Characteristics	5
2	Packing	5
	2.1 Storage	5
	2.2 Handling	5
3	Installation	5
	3.1 General	5
	3.2 Filtration.	5
	3.3 Lubrication	6
	3.3.1 General.	6
	3.3.2 Choice of lubricant.	6
	3.3.3 Filling and draining procedure	6
4	Accessories	6
	4.1 Electrical accessories	6
	4.1.1 Low frequency transmitter (furnished as standard).	6
	4.1.2 Anti tampering	6
	4.1.3 Cyble sensor.	6
	4.1.4 Medium & high frequency transmitters (furnished as option)	6
	4.2 Gasket-Filter	6
	4.3 External dryer cartridge	7
	4.4 Flow limiters	7
5	Start-up	7
	5.1 General	7
	5.2 Installation with by-pass.	7
	5.3 Installation without by-pass.	7
	5.4 Meters placed after a regulator.	7
6	Maintenance	7
	6.1 Maintenance of the meter	7
	6.2 Maintenance of optional equipment.	8
	6.2.1 LF and HF transmitters	8
	6.2.2 Filter.	8
7	Annex	64

Keep this manual easily accessible for all users.

Ask for a written approval of the manufacturer for all cases not planned in this instruction manual. Please respect all national rules for installation, operation and service of gas meters.

All approvals are only valid as long as no significant structural changes are made to the device.

1 Characteristics

Delta meters are designed to measure gases of the 1st, 2nd and 3rd gas families as specified in EN437 as well as various filtered, not ignition-capable and non-corrosive gases.

2 Packing

The meter, depending on the size or version is delivered:

- In a cardboard box, protected by carton inserts or polyethylene wedges.
- On a wood pallet, protected by a cardboard cover.

The packing shall contain the filling lubricant, plugs for the installed transmitters and this instruction manual.

2.1 Storage

If the meter is not going to be used immediately, it should be stored under cover in a clean, dry environment, in the horizontal position.

The caps fitted in the inlet and outlet pipe must stay in place until installation.

2.2 Handling

The meter is delivered without lubricant in covers. Before shipping or handling, ensure that the lubricant has been thoroughly drained from the front and the rear covers to prevent spillage into the measuring chamber. Meters should be lifted only with belt around the main body or with the eyelets.

3 Installation

3.1 General

Due to the volumetric principle of the Delta meter, its metrology is not influenced by the installation conditions. Nevertheless the respect of the following rules will insure the best use of your Delta meter:

Recommended installation: See Annex 1

- The meter is designed for up to ATEX zone 0 environment. Whereas inside the installed meter only not ignitable gas compositions are allowed. That requires for an ATEX conform commissioning an inertization prior the initial use with combustion gases. Same applies to recommissioning.
- Check additionally ease of movement by blowing it on, prior to installation in the pipeline.

- When used in ATEX zone 0, Delta meters in aluminum design must be protected from friction or impact processes by rusty steel components by means of a suitable installation in order to prevent the generation of an ignition.
 - Check visually that the meter has not been damaged during transport.
 - No welding is allowed with meter installed.
 - The meter should be installed with the impellers horizontal. Allowed deviation: $\pm 5^\circ$.
 - Never install a meter at a low point in the piping where the meter could be subject to the accumulation of water or particles.
 - If Teflon tape is used to tight threaded joint then the best attention must be taken to avoid introducing tape in the measuring chamber.
 - The meter should be installed without stress in the piping. The flanges must be correctly lined up.
 - The meter should be considered in a possible grounding system
 - On flanges with UNC screw-thread, the threads are **NOT** metric but defined in inch following ANSI/ASME B1.1–1989.
 - **Metric threads and threads defined in inch are not compatible!**
 - Please tighten bolts in opposite pairs.
 - A flexible coupling can be used to ensure a stress-free installation.
 - The use of a filter, placed upstream of the meter, is advisable in gas with high particulate content. See § 3.2.
- Before installation:
- The piping upstream of the meter should be free of dust.
 - Remove the protective caps.
 - Ensure that the direction of gas flow corresponds with the arrow situated on the meter body.
 - Check that the impellers turn freely.
 - Possible accessories to be assembled onto the meter must not interfere its corrosion protection.
 - When mounting the meter, the maximum torque according to the table in Appendix 1 must be taken into account. For meters where the recommended torque is 100 Nm, first tighten all screws to 70 Nm before tightening to 100 Nm. Each fastening step must be crosswise around the flange.

3.2 Filtration

Rotary meters work better if there are no particles within the gas. It is advisable therefore to filter the gas upstream of the meter. Recommended level of filtration is 100 μm or better. While the meter is in service, periodically check the cleanliness of the filter, especially in the case of a new installation or after work has been performed on the upstream piping.

For installation with flow direction from bottom to top a particular attention has to be taken to the filtering conditions to avoid that accumulation of dust downstream of

the meter may come back into the meter. For example a second filter can be installed downstream of the meter.

3.3 Lubrication

3.3.1 General

Choose the lubricant according to the operating conditions. This lubricant should be neutral and non detergent. Important:

- A lack of lubricant could cause premature wear of the meter.
- An excess of lubricant can also induce problems. A surplus of lubricant can contaminate the measuring chamber, may degrade the metrology and cause damage to the bearings and the impellers due to the mixture of lubricant and small impurities contained in the gas.
- Always drain the end-covers before moving the meter.

3.3.2 Choice of lubricant

Viscosity: The viscosity has been calculated to ensure mechanical and metrological performance of the meter.


Commercial references: Annex 2 contains a list of commercial lubricants usable for industrial gas except gases such oxygen and halogens. For other gases, please consult us.

3.3.3 Filling and draining procedure

See Annex 3 for the location of fill, drain plug and sights. Filling and draining operations should be carried out with the meter installed in the piping, but not pressurised, though the use of Pete's Plugs may allow lubricant levels to be "topped up" while the meter is pressurised (up to 20 bar). See Annex 7.

Both front and rear covers must be filled with lubricant, except for the Delta Compact, SE, Evo and S1-Flow for which only the front cover must be filled.

Adjusting the level of oil:

General case: The level is correct when it passes the centre  of the lowest sight.

Steel-bodied meters: The lubricant must be filled until it flows out of the level point "L".

- DN50 S1-Flow: Only the front cover must be filled with oil. 4 plugs "F" or "D" are available to Fill or Drain the cover; the lowest one must be used for draining. Depending of the orientation of the meter, one level point "L1" or "L2" must be used to adjust the level of oil i.e. unscrewed before the filling. The lubricant has to be filled in "F" until it flows out of the level point "L", only the lowest level point must be used to adjust the level of oil.

4 Accessories

4.1 Electrical accessories

Remarks about using the meter in potentially hazardous areas (ATEX):

- Pulse transmitters must be connected to intrinsic safe circuits.
- Clean the meter head only with a damp cloth.
- All exposed aluminium parts must be suitably protected (using paint, varnish, etc) if a film of rust is possible from dust in the environment.
- The meter must be taken in account in the lightning risk evaluation of the complete installation.
- Tools used for installing, removing or repairing the meter on site must be appropriate for use in the hazardous area bearing in mind that the hazardous area classification during meter replacement may differ from that during normal meter operations.
- The meter shall not be exposed to flame, ionising radiation, ultrasound or strong electromagnetic field.
- Ambient temperature conditions must be considered, including possible additional heating effects due to other devices in immediate vicinity.

4.1.1 Low frequency transmitter (furnished as standard)

The meter is normally delivered with a double LF pulse output transmitter. The LF is a dry reed switch and is normally open. See the name plate of the meter and Annex 4 for connection information. Air clearance, creepage distance and dielectric strength must be considered.

4.1.2 Anti tampering

The meter is delivered as standard with an anti tampering switch. It is a dry reed switch and is normally closed. See the name plate of the meter for connection details.

4.1.3 Cyble sensor

A Cyble sensor can be installed onto the totaliser at any time, see Annex 4. The Cyble sensor is a bounce-free transmitter. It allows also the counting of eventual back flows.

4.1.4 Medium & high frequency transmitters (furnished as option)

The meter can be delivered with medium or high frequency transmitters. There are inductive sensors, and connection is to a NAMUR- type input circuit (EN 60947-5-6).

4.2 Gasket-Filter

A "Gasket-filter" can be inserted directly upstream of flanged meters at the place of the standard gasket: it is a protection against particles remaining in the upstream

pipe. It is recommended to remove it after approximately 4 to 8 weeks of operation.

4.3 External dryer cartridge

The meter can be equipped with an external silicagel cartridge for installation in severe environment conditions. To replace the cartridge, unscrew the old cartridge, remove the protective plug of the new cartridge and screw it into the totaliser.

4.4 Flow limiters

Flow limiters are recommended to be used to protect the meter against over-flows or pressure pulses caused by not perfect installation layout.

5 Start-up

5.1 General

The procedure of start-up is always dependent on the installation configuration.

Before pressurising the meter, the lubrication procedure should be performed. Pressurisation or depressurisation should be carried out with very low pressure change. The pressure change should not exceed 0.3 bar/5 P.S.I. per second.

After start-up, please check the tightness of the installation. The proper installation and functioning of the meter can be verified by a visual control of the totaliser (to check that the meter runs properly) and by measuring its pressure loss while running though the use of Pete's Plugs may allow this pressure loss to be measured while the meter is pressurised (up to 20 bar).

5.2 Installation with by-pass: See Annex 5

START-UP:

Begin with all valves closed.

- Slowly open the by-pass valve to pressurise the downstream piping.
- When the pressure is balanced downstream, slowly open the small upstream valve V1. The pressure variation should not exceed 0.3 bar per second.
- When the pressure is balanced in the meter, slowly open the main upstream valve and then close V1.
- Slowly open the downstream valve and check that the meter starts to register the flow.
- Gradually, close the by-pass valve. Check that the flow rate doesn't exceed the capacity of the meter.

SHUT DOWN:

- Slowly open the by-pass valve and then close the upstream and downstream valves on the meter line.
- Carefully open the small bleeder valve V2 and depressurise the meter. The pressure variation should not ex-

ceed 0.3 bar per second.

- Some gas still inside the meter and the pipe, therefore sufficient ventilation is required.

5.3 Installation without by-pass: See Annex 6

START-UP:

Begin with all valves closed.

- Slightly open the upstream valve to pressurise the meter line. The pressure variation should not exceed 0.3 bar per second. When the pressure is balanced, fully open the upstream valve.
- Slightly open the downstream valve. The valve should be opened a small amount to maintain:
 - The upstream pressure in the meter line.
 - A low flow rate in the meter during the downstream pressurisation (approx. 5% Q_{max}).

When the downstream pressure is balanced, the downstream valve can be completely opened.

SHUT DOWN:

- Very slowly close the downstream valve and check that the meter is no longer recording.
- Close the upstream valve.
- Slowly open the small bleed valve V2. The pressure variation should not exceed 0.3 bar per second.
- Some gas still inside the meter and the pipe, therefore sufficient ventilation is required.

5.4 Meters placed after a regulator

Installation has to be done in accordance with the technical manual of the specific regulator. During pressurisation and depressurisation, insure that the pressure variation should not exceed 0.3 bar per second.

6 Maintenance

6.1 Maintenance of the meter

Once installed, the meter does not require any specific attention except a periodical check or change of the lubricant filled in the covers.

After start-up:

Natural gas: After the preliminary term of service, the lubricant level should be checked.

Other gases: After a working period of 100 hours from commissioning, the lubricant level should be checked.

If the lubricant level is appreciably low, if the lubricant is emulsified or if there is a chemical reaction between the lubricant and the gas, the lubricant should be reassessed and changed to fit the prevailing conditions.

Periodical change of lubricant:

The period between checks or changes of lubricant depends of the operating conditions (pressure variation, flow rate...).

Natural gas: Under normal conditions, lubricant has to be changed every 5 to 8 years. When the meter is used with extremely clean gas the period can be extended.

Other gases: Please consult us.

Use solvent and alcohol free product to clean the meter.

Repair must be done only by qualified personal. Afterwards a tightness test with $1.1 \times PS$ (P_{max}) must be performed.

If used with wet gas, internal and external effect of corrosion has to be checked regularly and in case of severe corrosion, the meter has to be replaced.

Spare parts:

When changing pressure containing parts, ensure that spare parts that comply with the PED are used.

6.2 Maintenance of optional equipment

6.2.1 LF and HF transmitters

These transmitters do not require any specific maintenance. The function of the transmitters can be checked by comparing the electronic index with the meter index.

6.2.2 Filter

If an increase of pressure loss is noticed, the filter should be checked and cleaned/replaced before any maintenance on the meter.

1	Caractéristiques	10
2	Emballage	10
2.1	Stockage	10
2.2	Manutention	10
3	Installation	10
3.1	Généralités	10
3.2	Filtration	11
3.3	Lubrification	11
3.3.1	Généralités	11
3.3.2	Choix du lubrifiant	11
3.3.3	Remplissage et vidange	11
4	Accessoires	11
4.1	Accessoires électriques	11
4.1.1	Emetteur basse fréquence (équipement standard)	11
4.1.2	Surveillance de ligne	12
4.1.3	Capteur Cyble	12
4.1.4	Emetteurs à moyenne & haute fréquence (disponible en option)	12
4.2	Joint filtre	12
4.3	Cartouche silicagel externe	12
4.4	Limiteurs de débit	12
5	Mise en service	12
5.1	Généralités	12
5.2	Installation avec bi-pass	12
5.3	Installation sans bi-pass	12
5.4	Compteurs placés après un régulateur	13
6	Entretien	13
6.1	Entretien du compteur	13
6.2	Entretien de l'équipement disponible en option	13
6.2.1	Emetteurs BF et HF	13
6.2.2	Filtre	13
7	Annexes	64

Veillez conserver ce mode d'emploi accessible pour tous les utilisateurs. Demander l'accord écrit du fabricant pour tous les cas non prévus dans le présent mode d'emploi. Veillez respecter toutes les réglementations nationales pour l'installation, l'utilisation et la maintenance des compteurs de gaz.

Toutes les approbations sont valables tant qu'aucune modification structurelle significative ne soit apportée au produit.

1 Caractéristiques

Les compteurs Delta sont conçus pour mesurer les gaz des 1^{er}, 2^{eme} et 3^{eme} familles comme définies dans l'EN437 ainsi que de nombreux gaz filtrés non inflammables et non corrosifs.

2 Emballage

En fonction de la taille ou de la version, le compteur est livré :

- Dans un carton individuel, protégé par un calage en carton ou polyéthylène.
 - Sur une palette en bois protégé par une coiffe en carton.
- L'emballage contient le lubrifiant, les prises pour les émetteurs d'impulsion installés et le présent manuel.

2.1 Stockage

Si le compteur n'est pas utilisé dans l'immédiat, il doit être protégé et entreposé en position horizontale dans un lieu propre et sec. Les obturateurs placés dans les orifices d'entrée et de sortie doivent rester en place jusqu'à l'installation du compteur sur la canalisation.

2.2 Manutention

Le compteur est fourni sans lubrifiant dans les carters. Avant toute expédition ou manutention, il faut vous assurer que le lubrifiant a été complètement vidangé des carters avant et arrière de façon à éviter un déversement intempestif du lubrifiant dans la chambre de mesure. Le compteur peut être manipulé à l'aide de câbles passés sous le corps ou dans les anneaux de levage uniquement.

3 Installation

3.1 Généralités

Le compteur doit impérativement être installé dans un environnement dont les conditions limites (en particulier pression, température, débit,...) sont compatibles avec ses caractéristiques propres indiquées sur la plaque signalétique. Compte tenu du principe volumétrique du compteur Delta, sa métrologie n'est pas influencée par les conditions d'installation. Néanmoins, pour garantir le bon fonctionnement du compteur, les instructions suivantes devront être respectées : voir l'annexe 1.

- Le compteur est prévu pour une installation jusqu'en

zone 0 selon l'ATEX, alors que gaz à l'intérieur du compteur doit avoir une composition non inflammable. Ceci nécessite pour une mise en route conforme à l'ATEX un inertage avant utilisation avec un gaz combustible. Cet inertage est aussi nécessaire pour toutes mises en route ultérieures.

- Avant l'installation du compteur, vérifier sa rotation libre et sans friction. Cela peut s'effectuer en soufflant dans l'appareil.
 - Lorsque les compteurs Delta en aluminium sont utilisés en zone 0 selon l'ATEX, ils doivent être protégés des processus de frottement ou d'impact de composants en acier rouillés au moyen d'une installation appropriée afin d'éviter une inflammation.
 - Vérifier visuellement que le compteur n'a pas été endommagé durant le transport.
 - Les opérations de soudures sur la canalisation ne sont pas autorisées lorsque le compteur est installé.
 - Le compteur devra être installé avec les pistons à l'horizontale. Déviation permise : +/- 5°.
 - Ne jamais installer un compteur à un point bas d'une installation où il pourrait être soumis à une accumulation d'eau ou de particules.
 - L'utilisation de bande téflon sur les raccords filetés doit être faite avec beaucoup de précaution de manière à éviter d'en introduire dans la chambre de mesure.
 - Le compteur doit être installé sans contraintes sur la canalisation. Les brides doivent être alignées correctement.
 - Le compteur doit être considéré dans un système possiblement mis à la terre.
 - Les taraudages des brides en UNC sont définis en pouces suivant ANSI/ASME B1.1. **Les filetages/taraudages métriques et UNC ne sont pas compatibles !**
 - Un accouplement souple peut être utilisé pour assurer une installation sans contraintes.
 - L'utilisation d'un filtre placé en amont du compteur est conseillée pour des gaz qui présentent un contenu particulaire élevé. Voir § 3.2
- Avant l'installation :
- S'assurer que la canalisation en amont du compteur est exempte de poussières.
 - Enlever les obturateurs placés dans les orifices d'entrée et de sortie.
 - S'assurer que le sens d'écoulement du gaz correspond à la flèche située sur le compteur.
 - S'assurer que les pistons tournent librement.
 - Les accessoires qui pourraient être assemblés sur le compteur ne doivent pas interférer avec sa protection contre la corrosion.
 - Lors du montage du compteur, il faut tenir compte du couple maximal indiqué dans le tableau de l'annexe 1. Pour les compteurs dont le couple recommandé est de 100 Nm, serrez d'abord toutes les vis à 70 Nm avant

de les serrer à 100 Nm. Le serrage des vis doit être effectué en croix.

3.2 Filtration

Les compteurs à pistons rotatifs fonctionnent mieux si le gaz ne contient pas de particules. Par conséquent, il est conseillé de filtrer le gaz en amont du compteur. Le niveau de filtration recommandé est d'au moins 100 µm. Lorsque le compteur est en service, il faut vérifier périodiquement la propreté du filtre, notamment dans le cas d'une nouvelle installation ou après l'exécution de travaux sur la tuyauterie en amont du compteur.

Dans le cas d'une installation ayant une direction du gaz du bas vers le haut, il faut particulièrement faire attention à la filtration de manière à éviter que des poussières accumulées à l'aval ne retombe dans le compteur. Par exemple, un second filtre peut être installé à l'aval du compteur.

3.3 Lubrification

3.3.1 Généralités

Choisir le lubrifiant en fonction des conditions d'exploitation. Le lubrifiant doit être neutre et non détergent. Important :

- Une lubrification insuffisante peut causer une usure prématurée du compteur.
- Une lubrification excessive peut également entraîner des problèmes. Un surplus de lubrifiant peut contaminer la chambre de mesure, détériorer la métrologie et occasionner des dommages sur les paliers et les pistons en raison du mélange du lubrifiant et des impuretés contenues dans le gaz.
- Toujours vidanger les carters avant le transport du compteur.

3.3.2 Choix du lubrifiant

Viscosité : la viscosité a été calculée pour assurer la meilleure performance mécanique et métrologique du compteur.

Références commerciales : L'annexe 2 contient une liste de lubrifiants du commerce. Ils peuvent être utilisés pour les gaz industriels, à l'exception des gaz tels qu'oxygène et halogènes. En cas d'utilisation avec d'autres gaz, veuillez nous consulter.

3.3.3 Remplissage et vidange


Voir l'annexe 3 pour l'emplacement des bouchons de remplissage, de vidange et des voyants de niveau de lubrifiant.

Avant l'installation: Les opérations de remplissage et de vidange doivent être effectuées lorsque le compteur est installé sur la conduite, sans pression. L'utilisation de Pete's Plugs permet de réaliser les niveaux de lubrifiant

alors que le compteur est sous pression (jusqu'à 20 bars). Voir l'annexe 7.

Les niveaux de lubrifiant doivent être effectués dans les carters avant et arrière sauf pour le Delta Compact, SE, Evo et le S1-Flow pour lesquels seul le niveau dans le carter avant est à réaliser.

Comment effectuer la mise à niveau de lubrifiant:

Cas général: Le niveau est correct quand il atteint le centre  du voyant placé le plus bas.

Compteurs en acier: Le bouchon de niveau "L" est utilisé comme trop plein.

- DN50 S1-Flow: Le niveau s'effectue uniquement dans le carter avant. 4 bouchons "F" ou "D" sont à utiliser pour remplir ou vidanger le carter; le bouchon placé le plus bas sert à vidanger. En fonction de l'orientation du compteur le niveau "L1" ou "L2" doit être dévissé avant le remplissage. Le lubrifiant est injecté dans "F" jusqu'à ce qu'il déborde par le niveau "L"; seul le niveau placé le plus bas est à utiliser pour faire la mise à niveau.

4 Accessoires

4.1 Accessoires électriques

Instructions pour l'utilisation en atmosphères potentiellement explosives (ATEX) :

- Les émetteurs d'impulsions ne doivent être raccordés qu'à des appareils homologués de sécurité intrinsèque.
- Nettoyer le totalisateur uniquement avec un chiffon humide.
- La surface extérieure des pièces en aluminium situées dans les environs immédiats du compteur doit être protégée par un traitement adéquat (par exemple peinture) si une pellicule oxydée peut s'y déposer.
- Le compteur doit être pris en compte dans l'évaluation du risque de foudre de l'ensemble de l'installation.
- Les conditions de température ambiante doivent être prises en compte, y compris les éventuels effets de chauffage supplémentaires dus à d'autres dispositifs à proximité immédiate.
- Pour le montage, démontage ou réparation sur site du compteur, uniquement des outils autorisés d'emploi en zone explosive peuvent être utilisés.
- Le compteur ne doit pas être exposé aux flammes, radiations ionisantes, ultrasons ou à des champs électromagnétiques puissants.

4.1.1 Emetteur basse fréquence (équipement standard)

Le compteur est livré avec un double émetteur d'impulsions à basse fréquence. L'émetteur BF est constitué d'une ampoule Reed à contact sec normalement ouvert. Le schéma de câblage est indiqué sur la plaque signalétique du compteur. Voir aussi l'annexe 4 pour de plus amples informations. La distance entre les broches des

connecteurs, la ligne de fuite et la rigidité diélectrique doivent être pris en compte.

4.1.2 Surveillance de ligne

Le compteur est livré en standard avec un contact de surveillance de ligne. Il s'agit d'une ampoule Reed à contact sec normalement fermé. Le schéma de câblage est indiqué sur la plaque signalétique du compteur.

4.1.3 Capteur Cyble

Le capteur Cyble peut être installé à n'importe quel moment sur le totalisateur, voir l'annexe 4. Le capteur Cyble est un émetteur d'impulsion sans rebond qui permet aussi de prendre en compte les débits inverses éventuels.

4.1.4 Emetteurs à moyenne & haute fréquence (disponible en option)

Le compteur peut être livré avec des émetteurs à moyenne ou haute fréquence, de type inductif. Le branchement s'effectue sur un appareil possédant un circuit d'entrée de type NAMUR (EN 60947-5-6).

4.2 Joint filtre

Pour les compteurs équipés de brides, un joint filtre peut être inséré directement en amont du compteur à la place du joint d'étanchéité standard. Ce filtre protège le compteur contre les impuretés restantes dans la tubulure amont. Il est recommandé de le retirer après 4 à 8 semaines d'utilisation.

4.3 Cartouche silicagel externe

Le compteur peut être équipé en option d'une cartouche silicagel externe pour les installations dans les environnements difficiles. Pour remplacer la cartouche, dévisser l'ancienne, enlever l'opercule de protection de la nouvelle et la revisser dans le totalisateur.

4.4 Limiteurs de débit

Il est recommandé d'utiliser des limiteurs de débit afin de protéger le compteur contre des surpressions qui seraient provoquées par une conception perfectible de l'installation.

5 Mise en service

5.1 Généralités

La procédure de mise en service dépend toujours de la configuration de l'installation. Avant de mettre le compteur sous pression, le niveau de lubrifiant doit être effectué. La pressurisation ou dépressurisation doit être effectuée graduellement : 0.3 bars / 5 P.S.I. par seconde au maximum.

Après mise en service, l'étanchéité de l'installation doit être vérifiée.

La bonne installation et le bon fonctionnement du compteur peuvent être vérifiés par un control visuel du totalisateur (pour vérifier que le compteur tourne correctement) ainsi que par la mesure de la perte de charge du compteur en fonctionnement. L'utilisation de Pete's Plugs permet de réaliser cette mesure alors que le compteur est sous pression (jusqu'à 20 bars).

5.2 Installation avec bi-pass : voir l'annexe 5

MISE EN SERVICE :

- Procéder à la mise en service toutes vannes fermées.
- Ouvrir lentement la vanne de bi-pass de façon à pressuriser la tuyauterie aval.
- Lorsque la pression est équilibrée en aval, ouvrir lentement le robinet V1. Les variations de pression ne doivent pas dépasser 0.3 bars par seconde.
- Lorsque la pression est équilibrée dans le compteur, ouvrir lentement la vanne principale amont, puis fermer V1.
- Ouvrir lentement la vanne aval et s'assurer que le compteur commence à enregistrer le débit.
- Fermer progressivement la vanne de bi-pass. Vérifier que le débit ne dépasse pas la capacité du compteur.

MISE HORS SERVICE :

- Ouvrir lentement la vanne de bi-pass puis fermer les vannes en amont et en aval du compteur.
- Ouvrir légèrement le robinet V2 et dépressuriser le compteur. Les variations de pression ne doivent pas dépasser 0.3 bars par seconde. S'assurer de la dépressurisation complète du compteur.
- Du gaz peut rester dans le compteur ou la canalisation, c'est pourquoi une ventilation suffisante est nécessaire.

5.3 Installation sans bi-pass : voir l'annexe 6

MISE EN SERVICE :

Procéder à la mise en service toutes vannes fermées.

- Ouvrir lentement la vanne amont de façon à pressuriser le compteur. Les variations de pression ne doivent pas dépasser 0.3 bars par seconde. Lorsque la pression est équilibrée, ouvrir entièrement la vanne amont.
- Ouvrir lentement la vanne aval. La vanne doit être légèrement ouverte pour maintenir :
 - la pression amont dans le compteur.
 - Un débit faible dans le compteur pendant la pressurisation (approx. 5% Qmax).

Lorsque la pression aval est équilibrée, la vanne aval peut être entièrement ouverte.

MISE HORS SERVICE :

- Fermer la vanne aval très lentement et vérifier que le compteur n'enregistre plus de débit.
- Fermer la vanne amont.
- Ouvrir lentement le robinet V2. Les variations de pression ne doivent pas dépasser 0.3 bars par seconde. S'assurer de la dépressurisation complète du compteur.

Du gaz peut rester dans le compteur ou la canalisation, c'est pourquoi une ventilation suffisante est nécessaire.

5.4 Compteurs placés après un régulateur

L'installation doit être effectuée conformément au manuel technique spécifique du régulateur. Lors de la pressurisation ou de la dépressurisation, il faut veiller à ce que les variations de pression ne dépassent pas 0.3 bars par seconde.

6 Entretien

6.1 Entretien du compteur

Une fois installé, le compteur ne nécessite pas d'attention particulière, hormis un suivi périodique du lubrifiant contenu dans les carters.

Après la mise en service :

Gaz naturel : après quelques jours de service, le niveau du lubrifiant doit être vérifié.

Autres gaz : après une période de fonctionnement de 100 heures à compter de la mise en service, le niveau de lubrifiant doit être contrôlé.

Si le niveau du lubrifiant est sensiblement bas, si le lubrifiant est émulsifié ou en cas de réaction chimique entre le lubrifiant et le gaz, les caractéristiques du lubrifiant doivent être changées. Période de remplacement du lubrifiant :

La période entre les contrôles ou les remplacements du lubrifiant dépend des conditions d'exploitation (variations de pression, débit...).

Gaz naturel : dans des conditions d'utilisation normale, le lubrifiant doit être remplacé tous les 5 à 8 ans. Si le compteur est utilisé avec un gaz extrêmement propre, cette durée peut être augmentée.

Autres gaz : veuillez nous consulter.

Utiliser un produit sans solvant ni alcool pour nettoyer le compteur.

La réparation ne doit être effectuée que par du personnel qualifié. Après réparation, un essai d'étanchéité à 1,1 x PS (Pmax) doit être effectué.

En cas d'utilisation avec des gaz humides, les effets de la corrosion doivent être périodiquement vérifiés. En cas de corrosion importante, le compteur doit être remplacé.

Pièces détachées :

Lorsqu'une pièce sous pression est changée, il faut s'assurer que la pièce détachée est conforme à la DESP.

6.2 Entretien de l'équipement disponible en option

6.2.1 Emetteurs BF et HF

Ces émetteurs ne nécessitent pas d'entretien spécifique. Le fonctionnement des émetteurs peut être contrôlé en comparant l'index du correcteur et l'index du compteur.

6.2.2 Filtre

Si une augmentation de la perte de pression est constatée, le filtre doit être contrôlé et nettoyé ou remplacé avant d'effectuer des opérations d'entretien sur le compteur.

1	Eigenschaften:	15
2	Verpackung	15
	2.1 Lagerung	15
	2.2 Handhabung	15
3	Installation	15
	3.1 Allgemein	15
	3.2 Filtration	16
	3.3 Schmierung	16
	3.3.1 Allgemein	16
	3.3.2 Schmiermittelwahl	16
	3.3.3 Vorgehensweise zum Befüllen- und Ablassen von Öl	16
4	Zubehör	16
	4.1 Elektrisches Zubehör	16
	4.1.1 Niederfrequenter Impulsgeber (Standardausstattung)	16
	4.1.2 Anti-Manipulationskontakt	17
	4.1.3 Cyble-Sensor	17
	4.1.4 Mittel- und Hochfrequenzimpulsgeber (optional)	17
	4.2 Flachsieb	17
	4.3 Externe Trockenpatrone für das Zählwerk	17
	4.4 Durchflussbegrenzer	17
5	Inbetriebnahme	17
	5.1 Allgemein	17
	5.2 Installation mit Bypass	17
	5.3 Installation ohne Bypass	17
	5.4 Messgeräte nach einem Regler	18
6	Wartung	18
	6.1 Wartung des Messgerätes	18
	6.2 Wartung der optionalen Ausrüstung	18
	6.2.1 RK und HF Impulsgeber	18
	6.2.2 Filter	18
7	Technische Daten	64

Dieses Dokument muss für alle befugten Personen leicht zugänglich aufbewahrt werden.

Fordern Sie eine schriftliche Bestätigung für alle nicht in dieser Betriebsanleitung aufgeführten Beschreibungen an. Bitte unbedingt die nationalen gültigen Regeln und Normen beachten.

Alle Zulassungen sind nur gültig, solange keine wesentlichen baulichen Veränderungen am Gerät vorgenommen werden.

1 Eigenschaften

Der Drehkolbenzähler Delta eignet sich zur Messung aller Gase der 1., 2. und 3. Familie entsprechende EN437 sowie allen anderen gefilterten, nicht zündfähigen und nicht-korrosiven Gase.

2 Verpackung

Das Messgerät wird abhängig von Größe oder Version wie folgt geliefert:

- In einem Hartpapierkarton, geschützt durch Einlagen aus Karton oder Polyethylen.
- Auf einer Holzpalette, geschützt durch eine Hartpapierabdeckung.

Die Verpackung muss das Befüllschmiermittel beinhalten, Stecker für die installierten Impulsgeber und dieses Handbuch.

2.1 Lagerung

Wird das Messgerät nicht sofort verwendet, so sollte es in einer sauberen, trockenen Umgebung und in horizontaler Position gelagert werden. Die Abdeckungen am Einlass- und Auslassrohr müssen bis zur Installation montiert bleiben.

2.2 Handhabung

Das Messgerät wird ohne Schmiermittel in den Ölkammern geliefert. Bei Transport nach erfolgter Befüllung mit Schmiermittel (z.B. zum Zwecke der Nacheichung) ist sicherzustellen, dass das Schmiermittel vor Versand oder Handhabung vollständig aus der vorderen und hinteren Ölkammer abgelassen wurde, um ein Eindringen des Schmiermittels in die Messkammer zu vermeiden. Die Zähler dürfen nur mit geeigneten Traghilfen (Riemen) am Gehäuse oder an den Ringschrauben angehoben werden.

3 Installation

3.1 Allgemein

Durch das volumetrische Messprinzip des Delta-Zählers wird dessen Metrologie nicht durch die Installationsbedingungen beeinflusst. Trotzdem gewährleistet die Einhaltung der folgenden Regeln eine bestmögliche Verwendung des Drehkolbenzählers:

Empfohlene Installation: Siehe Anlage 1.

- Der Zähler ist für Installationen in bis zu ATEX-Zone 0 vorgesehen. Wobei innerhalb des installierten Zählers nur nicht zündfähige Gaszusammensetzung zulässig sind. Für eine ATEX konform Inbetriebnahme ist eine Inertisierung vor dem erstmaligen Einsatz mit Brenngasen erforderlich. Gleiches gilt für die Wiederinbetriebnahme.
- Vor der Montage des Zähler in die Rohrleitung ist der Leichtlauf der Kolben durch Anblasen zu prüfen.
- Delta Drehkolbenzähler in Aluminiumausführung sind bei der Verwendung in ATEX Zone 0 vor Reib- oder Schlagvorgängen durch rostbehaftete Stahlbauteile mittels einer geeigneten Installation zu schützen, um eine Erzeugung von Funken zu verhindern.
- Bitte überprüfen Sie das Messgerät vor der Installation auf mögliche Transportschäden.
- An der Leitung dürfen keine Schweißarbeiten bei eingebautem Zähler durchgeführt werden.
- Das Messgerät muss mit horizontal ausgerichteten Kolbenachsen installiert werden. Zulässige Abweichung: $\pm 5^\circ$.
- Installieren Sie das Messgerät niemals am tiefsten Punkt der Rohrleitung, wo sich Wasser oder Schmutzpartikel ansammeln könnten.
- Bei Verwendung von Teflonband zur Gewindeabdichtung muss darauf geachtet werden, dass kein Band in die Messkammer hinein ragt.
- Das Gerät muss spannungsfrei in die Rohrleitung eingebaut werden und alle Flansche parallel ausgerichtet sein.
- Der Zähler muss in eventuellen Erdungsmaßnahmen berücksichtigt werden.
- Die Gewinde an UNC Flanschen sind nicht metrisch, sondern nach ANSI/ASME B1.1 – 1989. **Metrische Gewinde sind nicht mit zölligen Gewinden kompatibel!**
- Die Schrauben sind über Kreuz anzuziehen.
- Durch ein flexibles Rohrstück kann eine spannungsfreie Installation gewährleistet werden.
- Für Gase mit einem hohen Partikelgehalt wird die Verwendung eines Filters vor dem Messgerät empfohlen. Siehe § 3.2 Vor der Installation:
- Die Rohrleitung vor dem Messgerät sollte frei von Staub sein.
- Die Abdeckungen sind zu entfernen.
- Stellen Sie sicher, dass die Gasströmungsrichtung mit dem Pfeil auf dem Messgerätgehäuse übereinstimmt.
- Freien Lauf der Kolben (Impeller) prüfen.
- Mögliches Zubehör, welches an den Zähler montiert wird, darf dessen Korrosionsschutz nicht beeinträchtigen.
- Bei der Montage des Zählers ist das maximale Drehmoment gemäß Tabelle im Anhang 1 zu berücksichtigen. Bei den Zählern, bei denen das empfohlene Drehmoment 100 Nm beträgt zunächst alle Schrauben mit

70 Nm anziehen, bevor mit 100 Nm angezogen wird. Alle Drehmomentschritte müssen kreuzweise um den Flansch erfolgen.

3.2 Filtration

Drehkolbengaszähler sind empfindlich gegenüber Schmutz und Fremdkörpern im Gas, eine Filtration des Gases vor dem Messgerät ist ratsam. Der Filter soll mindestens Partikel von 100 µm Größe zurückhalten. Nachdem das Messgerät in Betrieb ist, sollte die Sauberkeit des Filters regelmäßig geprüft werden, insbesondere im Falle einer neuen Installation oder nachdem Arbeiten an der Rohrleitung vor dem Zähler durchgeführt wurden.

Bei Installation mit Durchflussrichtung von unten nach oben muss besonders auf die Filtration geachtet werden, um zu vermeiden dass Staub aus dem Ausgangsrohr in den Zähler zurück fallen kann. Beispielsweise durch Installation eines zweiten Filters im Zählerausgang.

3.3 Schmierung

3.3.1 Allgemein

Wählen Sie das entsprechende Schmiermittel laut den Betriebsbedingungen. Es sollte sich um neutrales und reinigungsmittelfreies Schmiermittel handeln. Wichtig:

Ein Mangel an Schmiermittel kann einen übermäßigen Verschleiß des Messgerätes verursachen.

Ein Überschuss an Schmiermittel kann auch zu Problemen führen. Überschüssiges Schmiermittel kann die Messkammer verunreinigen, die Messgenauigkeit verringern und Schäden an den Lagern und Kolben verursachen.

Immer die Ölkammern entleeren, bevor das Messgerät bewegt wird.

3.3.2 Schmiermittelwahl

Viskosität: Die Viskosität wurde so berechnet, dass die mechanische und metrologische Leistung des Messgerätes gewährleistet wird.

Kommerzielle Referenzen: Anlage 2 beinhaltet eine Liste kommerzieller Schmiermittel für die Verwendung mit Industriegasen außer Sauerstoff und Halogenen. Kontaktieren Sie uns bitte bezüglich anderer Gase.


3.3.3 Vorgehensweise zum Befüllen- und Ablassen von Öl

Siehe Anlage 3 bezüglich Anordnung der Befüll- und Ablassstopfen sowie der Sichtgläser.

Das Befüllen und Ablassen sollte druckfrei durchgeführt werden, wenn das Messgerät in der Rohrleitung installiert ist. Die Verwendung von „Pete’s Plugs“ ermöglicht das „Auffüllen“ von Schmiermittel, während das Messgerät unter Druck steht (bis zu 20 Bar). Siehe Anlage 7.

Es müssen die vordere- und hintere Kammer mit Schmiermittel befüllt werden, außer für Delta Compact, SE. Evo und S1-Flow, bei welchen nur die vordere Kammer befüllt werden muss.

Füllstand des Öles:

Allgemein: Der Füllstand ist richtig wenn das Schmiermittel in der Mitte  des unteren Schauglases steht.

Messgeräte mit Stahlgehäuse: Schmiermittel auffüllen bis dieses aus dem Pegelpunkt „L“ austritt.

- DN50 S1-Flow: Nur die vordere Kammer mit Schmiermittel befüllen. 4 Stopfen „F“ oder „D“ sind für das Befüllen oder Entleeren der Kammern verfügbar; der untere Stopfen muss für das Entleeren verwendet werden. Abhängig von der Einbaulage, muss einer der Stopfen der Pegelpunkte „L1“ oder „L2“ abgeschraubt werden bevor die Befüllung durchgeführt wird. Das Schmiermittel wird in „F“ eingefüllt, bis Öl aus dem Pegelpunkt „L“ austritt. Bitte darauf achten, dass nur der untere Pegelpunkt verwendet wird.

4 Zubehör

4.1 Elektrisches Zubehör

Hinweise für den Ex-Einsatz (ATEX):

- Alle Impulsgeber dürfen nur an eigensichere Stromkreise angeschlossen werden.
- Der Zähler ist nur mit einem feuchtem Tuch zu reinigen.
- Wenn in der unmittelbaren Zählerumgebung Flugrost möglich ist, sind alle Aluminium-Außenteile entsprechend zu schützen (z.B. durch Lackieren).
- Der Zähler muss in der Blitzschutzbetrachtung der gesamten Installation berücksichtigt werden.
- Für Ein-/Ausbau von Geräten bzw. deren Reparatur vor Ort dürfen nur die Werkzeuge, die für die betreffende Ex-Zone zugelassen sind, verwendet werden.
- Geräte dürfen auf keinen Fall Flammen, Ionisierter Strahlung, Ultraschall oder starken elektromagnetischen Wellen ausgesetzt werden.
- Sofern zusätzliche Wärmequellen in der direkten Umgebung vorhanden sind, müssen diese bei der Betrachtung der Umgebungstemperatur beachtet werden.

4.1.1 Niederfrequenter Impulsgeber (Standardausstattung)

Das Messgerät wird standardmäßig mit zwei Reedkontakten (RK) geliefert, die durch einen Magneten in der ersten Zählwerksrollen betätigt werden. Beim RK handelt es sich um ein Schutzgaskontaktrelais, welches normalerweise geöffnet ist. Die Polarität der Anschlüsse wird auf dem Typenschild des Messgerätes und in Anlage 4 angegeben. Luft- und Kriechstrecken sowie die Durchschlagsfestigkeit sind zu berücksichtigen.

4.1.2 Anti-Manipulationskontakt

Das Messgerät wird standardmäßig mit einem Anti-Manipulationskontakt geliefert. Dabei handelt es sich um ein Schutzgaskontaktrelais, welches normalerweise geschlossen ist. Siehe Typenschild des Messgerätes bezüglich Polarität der Anschlüsse.

4.1.3 Cyble-Sensor

Der Cyble-Sensor kann jederzeit auf dem Zählwerk angebracht werden und ist ohne Verletzung der Eichplomben nachrüstbar, siehe Anlage 4. Bei einem Cyble-Sensor handelt es sich um einen prellfreien Impulsgeber, der auch Rückflüsse registriert und bei der Durchflusszählung berücksichtigt.

4.1.4 Mittel- und Hochfrequenzimpulsgeber (optional)

Das Messgerät kann mit einem Mittel- oder Hochfrequenzimpulsgeber (MF/HF) gemäß Namur Standard geliefert werden. Dabei handelt es sich um einen induktiven Sensor (die Verbindung erfolgt zu einem NAMUR-Eingangstromkreis EN 60947-5-6).

4.2 Flachsieb

Für Messgeräte mit Flanschverbindungen kann ein „Flachsieb“ direkt am Eingang anstelle der Standarddichtung eingesetzt werden. Dieses Flachsieb ist ein Schutz gegen restliche Partikel aus der Eingangsleitung. Wir empfehlen dieses nach 4 bis 8 Wochen Betriebszeit zu entfernen.

4.3 Externe Trockenpatrone für das Zählwerk

Der Zähler kann für Einsatzfälle unter schwierigen Umgebungsbedingungen mit einer externen Silikagelpatrone ausgestattet werden. Um eine neue Patrone einzusetzen, bitte die verbrauchte Patrone herausrauben, Schutzkappe der neuen Patrone entfernen und im Zählerkopf einschrauben.

4.4 Durchflussbegrenzer

Durchflussbegrenzer werden empfohlen um den Zähler vor Druckstößen und Überlast zu schützen, falls dies durch die Installation nicht ausgeschlossen werden kann.

5 Inbetriebnahme

5.1 Allgemein

Die Vorgehensweise für die Inbetriebnahme hängt immer von der Installationskonfiguration ab. Vor dem Druckaufbau des Messgerätes sollten die Hinweise zur Schmierung (Punkt 3.3) unbedingt beachtet werden. Druckaufbau oder Druckentlastung sollten mit geringer

Druckänderungsgeschwindigkeit durchgeführt werden. Die Druckänderungsgeschwindigkeit darf nicht 0,3 bar/ 5 P.S.I. pro Sekunde überschreiten.

Nach der Inbetriebnahme überprüfen Sie bitte die Dichtigkeit der Installation.

Die korrekte Installation und die Funktion des Messinstruments kann überprüft werden, indem der Zählwerksfortschritt beobachtet wird (gleichmäßige kontinuierliche Bewegung der Zählwerksrollen) und durch Messung des Druckverlustes während dem Betrieb über den „Pete's Plugs“ (Druckverlustmessung bis zu einem Betriebsdruck von 20 bar möglich)

5.2 Installation mit Bypass: Siehe Anlage 5

INBETRIEBNAHME:

Zu Beginn sind alle Ventile geschlossen.

- Langsam das Ventil öffnen, um die Rohrleitung stromabwärts unter Druck zu setzen.
- Ist der Druck stromabwärts ausgeglichen, langsam das kleine Ventil V1 stromaufwärts öffnen. Die Druckänderungsgeschwindigkeit darf 0,3 bar pro Sekunde nicht überschreiten.
- Ist der Druck im Messgerät ausgeglichen, langsam das Hauptventil stromaufwärts öffnen und dann V1 schließen.
- Langsam das Ventil stromabwärts öffnen und prüfen, ob das Messgerät beginnt, den Fluss zu messen.
- Allmählich das Bypass-Ventil schließen. Prüfen, ob der Maximaldurchfluss die Kapazität des Messgerätes nicht überschreitet.

ABSCHALTEN:

- Langsam das Bypass-Ventil öffnen und dann die Ventile stromaufwärts und stromabwärts an der Messgerätleitung schließen.
- Vorsichtig das kleine Entlüfterventil V2 öffnen und das Messgerät druckentlasten. Die Druckänderungsgeschwindigkeit darf 0,3 bar pro Sekunde nicht überschreiten.
- Da sich nach dem Abschalten immer noch Gas im Zähler befindet, ist unbedingt für eine ausreichende Belüftung des Installationsortes zu sorgen.

5.3 Installation ohne Bypass: Siehe Anlage 6

INBETRIEBNAHME:

Zu Beginn sind alle Ventile geschlossen.

- Langsam das Ventil stromaufwärts öffnen, um die Messgerätleitung unter Druck zu setzen. Die Druckänderung darf 0,3 bar pro Sekunde nicht überschreiten. Ist der Druck ausgeglichen, das Ventil stromaufwärts vollständig öffnen.
- Langsam das Ventil stromabwärts öffnen. Das Ventil sollte ein kleines Stück geöffnet werden, um folgendes zu gewährleisten:

- Den Druckaufbau in der Leitung vor dem Messgerät.
 - Eine niedrige Durchflussrate im Messgerät während des Druckaufbaus stromabwärts (ca. 5% von Q_{max}).
- Ist der Druck vor und hinter dem Zähler ausgeglichen, kann das Ventil stromabwärts vollständig geöffnet werden.

ABSCHALTEN:

- Sehr langsam das Ventil stromabwärts schließen und prüfen, ob der Zähler keine Messung mehr vornimmt.
- Das Ventil stromaufwärts schließen.
- Langsam das kleine Entlüfterventil V2 öffnen. Die Druckänderungsgeschwindigkeit darf 0,3 bar pro Sekunde nicht überschreiten.
- Da sich nach dem Abschalten immer noch Gas im Zähler befindet, ist unbedingt für eine ausreichende Belüftung des Installationsortes zu sorgen.

5.4 Messgeräte nach einem Regler

Die Installation muss in Übereinstimmung mit dem technischen Handbuch des spezifischen Reglers erfolgen. Während dem Druckaufbau und der Druckentlastung ist sicherzustellen, dass die Druckänderung 0,3 bar pro Sekunde nicht überschreitet.

6 Wartung

6.1 Wartung des Messgerätes

Nach der Inbetriebnahme bedarf das Messgerät keiner besonderen Wartung, außer einer regelmäßigen Prüfung oder einem Wechsel des Schmiermittels in den Ölkammern.

Nach erfolgter Inbetriebnahme:

Erdgas: Nach einigen Tagen Betriebszeit sollte der Schmiermittelpiegel überprüft werden.

Andere Gase: Nach einer Betriebszeit von 100 Stunden seit Inbetriebnahme sollte der Schmiermittelpiegel geprüft werden.

Sollte der Schmiermittelstand merkbar niedrig, das Schmiermittel emulsiert sein oder eine chemische Reaktion zwischen Schmiermittel und Gas stattfinden, muss das Schmiermittel gereinigt und ggf. gewechselt werden. Regelmäßiger Wechsel des Schmiermittels: Die Intervalle für Überprüfungen und Wechsel von Schmiermitteln hängen von den Betriebsbedingungen ab (Druckänderung, Durchflussrate etc.) .

Erdgas: Unter normalen Bedingungen sollte das Schmiermittel alle 5 bis 8 Jahre gewechselt werden. Für Gase mit höchster Reinheit kann das Intervall verlängert werden.

Andere Gase: Bitte uns kontaktieren.

Nur alkohol- und lösungsmittelfreies Reinigungsmittel verwenden. Öffnung und Reparatur darf nur durch qualifiziertes Personal erfolgen. Nach Öffnung des Gerätes muss ein Dichtheitstest mit 1,1 x PS (P_{max}) durchgeführt werden.

Bei Betrieb in feuchtem Gas muss das Messgerät in regelmäßigen Abständen auf innere und äußere Korrosion hin überprüft werden.

Ersatzteile:

Zur Reparatur dürfen nur PED-konforme Materialien verwendet werden.

6.2 Wartung der optionalen Ausrüstung

6.2.1 RK und HF Impulsgeber

Diese Impulsgeber benötigen keine besondere Wartung. Die Funktion der Impulsgeber kann durch einen Vergleich des elektronischen Zählwerkstandes (ZMU) mit dem Zählwerkstand des Messgerätes geprüft werden..

6.2.2 Filter

Sollte eine Zunahme des Druckverlustes bemerkt werden, so muss der Filter geprüft und gereinigt/ersetzt werden, bevor jegliche Wartungsarbeiten am Messgerät durchgeführt werden.

1	Caratteristiche	20
2	Imballo	20
	2.1 Immagazzinamento	20
	2.2 Movimentazione	20
3	Installazione	20
	3.1 Generalità	20
	3.2 Filtrazione	21
	3.3 Lubrificazione	21
	3.3.1 Generalità	21
	3.3.2 Scelta del lubrificante	21
	3.3.3 Procedura di riempimento e di drenaggio	21
4	Accessori	21
	4.1 Accessori elettrici	21
	4.1.1 Emettitore d'impulsi a bassa frequenza (LF) (dotazione standard)	21
	4.1.2 Dispositivo antifrode	22
	4.1.3 Emettitore di impulsi Cyble	22
	4.1.4 Emettitore di impulsi di media e alta frequenza (fornito in opzione)	22
	4.2 Filtro a guarnizione	22
	4.3 Essiccatore esterno	22
	4.4 Limitatori di portata	22
5	Avviamento	22
	5.1 Generalità	22
	5.2 Installazione con by-pass	22
	5.3 Installazione senza by-pass	22
	5.4 Contatori posizionati dopo un regolatore	23
6	Manutenzione	23
	6.1 Manutenzione del contatore	23
	6.2 Manutenzione dei dispositivi ausiliari	23
	6.2.1 Emettitori d'impulsi LF ed HF	23
	6.2.2 Filtro	23
7	Caratteristiche tecniche	64

Questo manuale deve essere reso facilmente accessibile a tutti gli utenti.

Nei casi non descritti in questo manuale di istruzioni, si prega di richiedere l'approvazione scritta del fabbricante. Per l'installazione, l'uso e la manutenzione dei contatori per il gas devono essere rispettate tutte le regole vigenti a livello nazionale.

Tutte le approvazioni sono valide solo finché non vengono apportate modifiche strutturali significative al dispositivo.

1 Caratteristiche

I contatori a rotoidi Delta sono progettati per misurare i gas della prima, seconda e terza famiglia come descritto nelle norme EN 437, così come i gas di vario tipo filtrati, non infiammabile e non corrosivi.

2 Imballo

Il contatore, in base alle dimensioni e al modello, viene fornito:

- in una scatola di cartone, imballato e protetto con inserti in cartone o con spessori di polietilene
- su un bancale di legno, protetto da una copertura di cartone

Nell'imballo saranno inclusi il lubrificante di riempimento, i connettori per gli emettitori d'impulsi installati e il presente manuale d'uso.

2.1 Immagazzinamento

Qualora il contatore non dovesse essere utilizzato immediatamente, si consiglia di conservarlo in un ambiente asciutto e pulito, in posizione orizzontale. L'entrata e l'uscita devono rimanere protette dall'apposita chiusura fino al momento dell'installazione.

2.2 Movimentazione

Il contatore viene fornito senza lubrificante nelle camere. Prima della spedizione o della movimentazione, assicurarsi che il lubrificante sia stato completamente drenato dalle camere anteriore e posteriore al fine di evitare che ci siano infiltrazioni nella camera di misurazione. I contatori devono essere sollevati unicamente tramite una cinghia avvolta attorno al corpo principale oppure tramite gli appositi ganci.

3 Installazione

3.1 Generalità

Il contatore volumetrico Delta ha una metrologia che non è influenzata dalle condizioni d'installazione. Si raccomanda tuttavia il rispetto delle seguenti norme per garantire il perfetto funzionamento del vostro contatore Delta: Installazione consigliata: vedi allegato 1.

- Il misuratore è progettato per essere installato in una

zona ATEX 0. Mentre all'interno della rete di tubazioni sono consentite solo composizioni di gas non infiammabili. Ciò richiede, per motivi ATEX, un'inertizzazione prima dell'uso iniziale con i gas di combustione. Lo stesso vale per la rimessa in servizio.

- Verificare inoltre la facilità di movimento soffiandoci sopra prima dell'installazione nella tubazione
 - In caso di utilizzo in zona ATEX 0, i contatori Delta in Alluminio devono essere protetti da processi di corrosione o di attrito con componenti in acciaio arrugginito, tale protezione deve essere fatta in maniera adeguata per evitare generazioni di scintille
 - Verificare mediante ispezione viva che il contatore non sia stato danneggiato durante il trasporto.
 - Non è permesso effettuare saldature una volta che il contatore è stato installato.
 - Il contatore dovrebbe essere installato con i rotori posti orizzontalmente. Deviazione ammessa: $\pm 5^\circ$.
 - Non installare mai il contatore in un punto basso della tubazione, dove si potrebbero accumulare acqua o sporco.
 - Quando viene utilizzato del nastro in Teflon per serrare i bulloni di fissaggio del contatore, prestare la massima attenzione affinché nessun residuo di nastro venga introdotto nella camera di misura.
 - Il contatore dovrebbe essere installato senza creare tensioni nella tubazione. Le flange devono essere allineate correttamente.
 - Il contatore installato, dovrebbe essere connesso nel sistema di messa a terra esistente.
 - La filettatura della flangiatura UNC è espressa in pollici così come previsto dalle norme ANSI/ASME B1.1 – 1989.
- La filettatura espressa con il sistema metrico e la filettatura espressa in pollici, non sono compatibili!**
- Bulloni devono essere serrati a coppie opposte.
 - È possibile utilizzare un giunto flessibile per garantire un'installazione senza tensioni.
 - Si raccomanda l'utilizzo di un filtro, installato a monte del contatore, in presenza di gas con particolato. Vedi § 3.2

Prima dell'installazione:

- Assicurarsi che la tubazione a monte del contatore sia senza polvere.
- Rimuovere le calotte di protezione.
- Verificare che la direzione del flusso del gas coincida con la freccia posta sulla cassa del contatore.
- Assicurarsi che i pistoncini ruotino liberamente.
- Gli eventuali accessori installati sul contatore non devono interferire con le protezioni contro le corrosioni di cui lo stesso è dotato.
- Quando si monta il contatore, si deve tenere conto della coppia massima secondo la tabella dell'appendice 1. Per i contatori la cui coppia raccomandata è di 100 Nm, stringere prima tutte le viti a 70 Nm e poi a 100 Nm. Ogni passo di fissaggio deve avvenire trasversalmente intorno alla flangia.

3.2 Filtrazione

I contatori a pistoncini rotanti funzionano meglio con un gas privo di particolato. Si consiglia pertanto di filtrare il gas a monte del contatore. Il livello di filtrazione consigliato è 100 µm o maggiore. Verificare periodicamente che il filtro sia pulito, durante il funzionamento del contatore, soprattutto nel caso in cui esso sia stato appena installato o siano state eseguite delle operazioni sulla tubazione a monte.

Per installazioni con direzione del gas dal basso verso l'alto, prendere le opportune precauzioni per evitare che l'eventuale accumulo di sporco a valle del contatore ritorni all'interno dello stesso. A tale scopo un secondo filtro può essere installato a valle del contatore.

3.3 Lubrificazione

3.3.1 Generalità

Scegliere il lubrificante appropriato in base alle condizioni d'esercizio. È preferibile utilizzare un lubrificante neutro e non detergente. Importante:

- Una lubrificazione insufficiente può causare la prematura usura del contatore.
- Anche una lubrificazione eccessiva può essere fonte di problemi. Un'eccessiva quantità di lubrificante può intaccare la camera di misurazione, degradare la metrologia e causare danni ai cuscinetti e alle giranti a causa della miscela di lubrificante e impurità minori contenute nel gas.
- Drenare sempre i coperchi laterali prima di spostare il contatore.

3.3.2 Scelta del lubrificante

Viscosità: la viscosità è stata calcolata per garantire il funzionamento meccanico e metrologico del contatore.

Riferimenti commerciali: L'allegato 2 contiene un elenco di lubrificanti in commercio, adeguati per l'utilizzo con gas industriali, ad eccezione di ossigeno e alogeni. Si prega di consultarci per altri tipi di gas.


3.3.3 Procedura di riempimento e di drenaggio

L'allegato 3 riporta la posizione dei tappi di riempimento, di drenaggio e delle spie.

Le operazioni di riempimento e drenaggio devono essere eseguite a contatore installato sulla tubazione, ma non pressurizzato; con l'utilizzo delle "Pete's Plug" si può rabboccare il livello del lubrificante mentre il contatore è pressurizzato (fino a 20 bar). Vedi allegato 7.

Entrambe le coppe frontali e posteriori devono essere riempite con lubrificante, eccetto che per il Modello Delta Compact, SE, Evo e S1-Flow per i quali è necessario riempire solo la coppa frontale.

Regolazione del livello dell'olio:

Caso generale: il livello è corretto quando è visibile al centro  della spia più bassa.

Contatori con corpo in acciaio: procedere al riempimento fino a quando il lubrificante fuoriesca dal punto di livello "L"

- DN50 S1-Flow: solo la coppa frontale deve essere riempita con il lubrificante. Sono disponibili 4 tappi "F" o "D" per il riempimento ed il drenaggio dell'olio; il più basso deve essere utilizzato per il drenaggio. In funzione dell'orientamento del contatore, uno dei punti di livello "L1" o "L2" deve essere utilizzato per la regolazione del livello dell'olio, ad esempio svitandolo prima del riempimento. Il lubrificante viene caricato dal tappo "F" fino alla fuoriuscita dal punto "L"; solo il punto di livello più basso deve essere utilizzato per la regolazione del livello dell'olio.

4 Accessori

4.1 Accessori elettrici

Guide per uso in atmosfere potenzialmente esplosive (ATEX):

- Gli emettitori di impulsi devono essere connessi solamente a circuiti a sicurezza intrinseca.
- Pulire il totalizzatore del contatore solo con un panno umido.
- Se è possibile la formazione di ruggine (ruggine nelle immediate vicinanze del contatore), tutte le parti di alluminio esterne devono essere protette di conseguenza (e.g. da vernice).
- Per la valutazione dei rischi da scariche atmosferiche il contatore deve essere considerato parte integrante dell'impianto.
- Per installazione, rimozione o riparazione del contatore in sito, possono essere utilizzati solamente attrezzi idonei per utilizzo in area con pericolo di esplosione.
- Il contatore non dovrà essere esposto a: fiamme, radiazione ionizzata ed ultrasuoni o forti campi elettromagnetici.
- Considerare la temperatura ambiente includendo anche possibili riscaldamenti aggiuntivi provenienti da altri dispositivi installati nelle immediate vicinanze del contatore.

4.1.1 Emittitore d'impulsi a bassa frequenza (LF) (dotazione standard)

Il contatore viene solitamente fornito unitamente ad un doppio trasmettitore di uscita ad impulsi a bassa frequenza LF. L'emittitore LF è un interruttore reed secco ed è normalmente aperto. Per informazioni relative al collegamento, controllare la targhetta del contatore e l'allegato 4. Luft- und Kriechstrecken sowie die Durchschlagsfestigkeit sind zu berücksichtigen. È necessario tenere conto della distanza d'aria, della distanza di dispersione e della rigidità dielettrica.

4.1.2 Dispositivo antifrode

I contatori sono forniti di serie con un interruttore antifrode in dotazione. Si tratta di un interruttore reed secco ed è normalmente chiuso. Per dettagli relativi al collegamento verificare la targhetta del contatore.

4.1.3 Emettitore di impulsi Cyble

L'emettitore di impulsi Cyble può essere installato sull'orologeria del contatore in qualsiasi momento, come indicato nell'allegato 4. Il sensore Cyble è un trasmettitore privo di rimbalzi. Permette di individuare anche un eventuale flusso inverso.

4.1.4 Emettitore di impulsi di media e alta frequenza (fornito in opzione)

Il contatore può essere consegnato con un trasmettitore di media o alta frequenza. Sono disponibili sensori induttivi, e la connessione è ad un tipo di circuito con input a Namur (EN 60947-5-6).

4.2 Filtro a guarnizione

Nei contatori flangiati, è possibile inserire un filtro con guarnizione direttamente a monte del contatore, al posto della guarnizione standard per protezione dalle particelle rimanenti nella tubazione a monte. E' raccomandata la sua rimozione approssimativamente dopo 4-8 settimane di funzionamento.

4.3 Essiccatore esterno

Il contatore può essere equipaggiato, in opzione, di una cartuccia silicagel esterna in caso di installazioni in ambienti difficili. Per sostituire la cartuccia, svitare la vecchia, rimuovere il tappo protettivo della nuova ed avvitatela nel totalizzatore.

4.4 Limitatori di portata

L'utilizzo di limitatori di portata sono consigliati per proteggere il contatore da picchi di portata o variazioni impulsive di pressione, causate da eventuali installazioni non perfettamente eseguite

5 Avviamento

5.1 Generalità

La procedura di avvio dipende sempre dalla configurazione d'installazione.

Prima di pressurizzare il contatore, eseguire la procedura di lubrificazione. La pressurizzazione o la depressurizzazione dovrebbero avvenire in modo molto progressivo. La variazione di pressione non dovrebbe superare 0,3 bar/5 P.S.I. al secondo.

A procedura effettuata, è necessario verificare la tenuta dell'installazione.

L'installazione eseguita correttamente e il buon funzionamento del contatore possono essere verificati con un controllo visivo del totalizzatore (per verificare che il contatore stia funzionando correttamente) e misurando le perdite di carico tramite l'uso della Pete's plug che permette di eseguire la misura delle perdite di carico durante il funzionamento del contatore (fino a una pressione maxi di 20 bar).

5.2 Installazione con by-pass: vedi allegato 5

AVVIO:

- Partire con tutte le valvole chiuse.
- Aprire lentamente la valvola di by-pass per pressurizzare il tubo a valle.
- Quando la pressione a valle è stata compensata, aprire lentamente la piccola valvola a monte V1. La variazione di pressione non deve essere superiore a 0,3 bar al secondo.
- Quando la pressione è stata compensata nel contatore, aprire lentamente la valvola a monte principale e chiudere quindi la V1.
- Aprire gradualmente la valvola a valle e verificare che il contatore abbia cominciato a registrare il flusso.
- Chiudere gradualmente la valvola di bypass. Assicurarsi che la portata del flusso non sia superiore alla massima del contatore.

FERMO:

- Aprire lentamente la valvola di by-pass e chiudere quindi le valvole a monte e a valle poste sulla linea del contatore.
- Aprire con prudenza la valvola di scarico piccola V2 e depressurizzare il contatore. La variazione di pressione non deve eccedere 0,3 bar al secondo.
- Del gas può essere ancora rimasto nel contatore e nel tubo, pertanto è richiesta una ventilazione adeguata.

5.3 Installazione senza by-pass: vedi allegato 6.

AVVIO:

Partire con tutte le valvole chiuse.

- Aprire leggermente la valvola a monte per pressurizzare la linea del contatore. La variazione di pressione non deve essere superiore a 0,3 bar al secondo. Quando la pressione è stata compensata, aprire completamente la valvola a monte.
- Aprire gradualmente la valvola a valle. La valvola dovrebbe essere aperta quanto basta per mantenere:
 - La pressione a monte nella linea del contatore.
 - Una bassa portata nel contatore durante la pressurizzazione a valle (circa il 5% di Qmax).

Quando la pressione a valle sarà stata compensata, la valvola a valle potrà essere aperta completamente.

FERMO:

- Chiudere molto lentamente la valvola a valle e assicurarsi che il contatore non stia più registrando.

- Chiudere la valvola a monte.
- Aprire gradualmente la valvola di scarico piccola V2. La variazione di pressione non deve superare 0,3 bar al secondo.
- Del gas può essere ancora rimasto nel contatore e nel tubo, pertanto è richiesta una ventilazione adeguata.

5.4 Contatori posizionati dopo un regolatore

L'installazione deve avvenire conformemente al manuale tecnico dello specifico regolatore. Durante la pressurizzazione e la depressurizzazione, verificare che la variazione di pressione non sia superiore a 0,3 bar al secondo.

6 Manutenzione

6.1 Manutenzione del contatore

Una volta installato, il contatore non necessita di particolare assistenza, ad eccezione di un controllo periodico o della sostituzione del lubrificante all'interno delle camere.

Dopo l'avviamento:

Gas naturale: verificare il livello del lubrificante dopo la manutenzione preliminare.

Altri tipi di gas: verificare il livello del lubrificante dopo un funzionamento pari a 100 ore dalla messa in esercizio.

Qualora il livello del lubrificante fosse particolarmente basso, il lubrificante risultasse emulsionato o si verificasse una reazione chimica tra il lubrificante e il gas, sarà necessario esaminare nuovamente il lubrificante e variarlo in relazione alle condizioni attuali.

Intervalli di lubrificazione: Il periodo che intercorre tra i controlli o i cambi del lubrificante varia in base alle condizioni d'esercizio (variazione della pressione, portata...).

Gas naturale: in condizioni normali, occorre cambiare il lubrificante ogni 5-8 anni. Per utilizzo con gas particolarmente pulito, questo periodo può essere anche superiore.

Altri tipi di gas: siamo a disposizione per ulteriori dettagli.

È vietato l'utilizzo di alcool o prodotti contenenti alcool per pulire il contatore.

Le riparazioni devono essere effettuate solo da personale qualificato.

Dopo ogni riparazione deve essere effettuata una prova di tenuta alla pressione di $1.1 \times PS$ (ovvero P_{max}).

Nel caso di utilizzo con gas umido, è necessario controllare regolarmente gli effetti dell'eventuale corrosione interna ed esterna, ed in caso di corrosione rilevante il contatore deve essere sostituito.

Parti di ricambio:

In caso di sostituzione di parti normalmente in pressione, assicurarsi che siano usate parti di ricambio in conformità alla PED.

6.2 Manutenzione dei dispositivi ausiliari

6.2.1 Emettitori d'impulsi LF ed HF

Questi trasmettitori non necessitano di una manutenzione specifica. Il funzionamento dei trasmettitori può essere verificato confrontando l'indicatore elettronico con quello del contatore.

6.2.2 Filtro

Qualora si verificasse un aumento della caduta di pressione, è indispensabile controllare il filtro e pulirlo/sostituirlo prima di eseguire qualsiasi operazione di manutenzione al contatore.

1	Características	.25
2	Embalaje	.25
2.1	Imacenamiento	.25
2.2	Manipulación	.25
3	Instalación	.25
3.1	General	.25
3.2	Filtrado	.26
3.3	Lubrificación	.26
3.3.1	General	.26
3.3.2	Elección del lubricante	.26
3.3.3	Procedimiento de llenado y vaciado	.26
4	Accesorios	.26
4.1	Accesorios eléctricos	.26
4.1.1	Emisor de baja frecuencia	.26
4.1.2	Antifraude	.26
4.1.3	Emisor cyble	.27
4.1.4	Emisor de media y alta frecuencia (se suministra como opción)	.27
4.2	Filtro de Malla	.27
4.3	Cartucho del secador exterior	.27
5	Puesta en servicio	.27
5.1	General	.27
5.2	Instalación con by-pass	.27
5.3	Instalación sin by-pass	.27
5.4	Contadores situados tras un regulador	.28
6	Mantenimiento	.28
6.1	Mantenimiento del contador	.28
6.2	Mantenimiento del equipo opcional	.28
6.2.1	Emisores de BF y AF	.28
6.2.2	Filtro	.28
7	Características técnicas	.64

Mantenga este manual al alcance de los usuarios. Solicite la aprobación del fabricante para casos no mencionados en este manual. Por favor respete las leyes locales de instalación, operación y servicio para contadores de gas. Todas las aprobaciones son válidas únicamente mientras no se realicen cambios estructurales significativos en el equipo.

1 Características

Los Contadores DELTA pueden emplearse para la medición de gases de la 1ª, 2ª y 3ª familia de gases conforme a EN 437 previa instalación de los filtros correspondientes, así como otros tipos de gases no inflamables y no corrosivos.

2 Embalaje

En función del tamaño o de la versión, el contador se suministra:

- en una caja de cartón, con protectores de polietileno o cartón para evitar golpes,
- sobre una plataforma de madera, protegido con una tapa de cartón.

El paquete debe contener el aceite de lubricación, los conectores para los emisores instalados, y el manual de instrucciones.

2.1 Almacenamiento

Si no va a emplear el contador inmediatamente, deberá guardarlo en un lugar resguardado, limpio y seco, en posición horizontal.

Las tapas colocadas en las tuberías de entrada y salida deben permanecer en su sitio hasta la instalación.

2.2 Manipulación

El contador se entrega sin lubricante. Antes de transportarlo o manipularlo, asegúrese de que ha vaciado el lubricante de los carters anterior y posterior por completo, con el fin de prevenir que se derrame dentro de la cámara de medición. Los contadores deberán ser levantados solo con una correa alrededor del cuerpo del contador o de las asas laterales.

3 Instalación

3.1 General

Debido al principio volumétrico de los contadores Delta, las condiciones de instalación no influyen en su metrología. Sin embargo, deben seguirse las siguientes recomendaciones para garantizar el mejor uso de su contador Delta.

Instalación recomendada: véase el anexo 1.

- El contador está diseñado para ser instalado en una zona ATEX 0. Mientras que dentro de la red de tuberías sólo se permiten composiciones de gas no inflamables.

Eso requiere por razones ATEX una inertización antes del uso inicial con gases de combustión. Lo mismo se aplica a la nueva puesta en servicio.

- Antes de instalar el contador en la tubería, verifique que los pistones funcionen correctamente soplando a través de ellos.
- Cuando se utilicen en zona ATEX 0, los contadores Delta en diseño de aluminio deben protegerse de los procesos de fricción o impacto por componentes de acero oxidado mediante una instalación adecuada para de esta manera evitar la generación de chispas.
- Comprobar visualmente que el contador no ha sido dañado durante el transporte.
- No realizar soldaduras con el contador instalado.
- El contador debe instalarse con los pistones en posición horizontal. Desviación permitida: $\pm 5^\circ$.
- Nunca instale un contador por debajo del nivel de la tubería, donde pueda sufrir acumulación de agua o de partículas.
- Si se usa cinta de teflón para garantizar la estanquidad de las uniones roscadas, poner mucha atención en que no se introduzcan trozos de la cinta en la cámara de medida.
- Debe instalar el contador en la tubería sin someterlo a tensiones. Las bridas deben estar correctamente alineadas.
- El contador ha de ser tenido en cuenta al hacer la conexión a tierra de la instalación
- En bridas UNC las roscas NO son métricas sino definidas en pulgadas siguiendo ANSI/ASME B1.1 – 1989. **Las roscas métricas y las roscas definidas en pulgadas no son compatibles!**
- Los tornillos deberán ajustarse con pares opuestos.
- Para asegurar que la instalación no está sometida a esfuerzos, puede utilizar un acople flexible, (con autorización expresa de la empresa de distribución de gas).
- En el caso de emplear gases con alto contenido de partículas, se recomienda colocar un filtro delante del contador. Véase § 3.2.

Antes de la instalación:

- La tubería situada delante del contador debe estar limpia de polvo y partículas de soldadura.
- Retire las tapas protectoras.
- Asegúrese de que la dirección del flujo del gas coincide con la flecha situada en el cuerpo del contador.
- Compruebe que los pistones giran libremente.
- Los posibles accesorios que se monten en el contador no deben perjudicar a la protección anticorrosión del mismo
- Al montar el contador, debe tenerse en cuenta el par de apriete máximo según la tabla del Apéndice 1. Para los contadores cuyo par de apriete recomendado es de 100 Nm, apriete primero todos los tornillos a 70 Nm antes

de apretarlos a 100 Nm. Cada paso de fijación debe ser transversal alrededor de la brida.

3.2 Filtrado

Los contadores de pistones rotativos trabajan mejor si el gas no contiene partículas. Por consiguiente, se recomienda filtrar el gas que se encuentra situado delante del contador. El nivel de filtrado recomendado es de 100 µm o superior. Mientras el contador esté en funcionamiento, compruebe periódicamente la limpieza del filtro, especialmente en el caso de una nueva instalación o tras la realización de trabajos en la tubería que se encuentra delante del contador.

Para instalaciones con dirección de flujo de abajo hacia arriba prestar especial atención a las condiciones de filtrado del gas para evitar que acumulación de polvo aguas abajo del contador pueda volver a introducirse en el contador. Por ejemplo, un segundo filtro se puede instalar en la salida del contador.

3.3 Lubricación

3.3.1. General

Elija el lubricante en función de las condiciones de funcionamiento. Este lubricante debe ser neutro y no detergente. Importante:

- La falta de lubricante provoca un desgaste prematuro del contador.
- Un exceso de lubricante también puede provocar problemas. Puede contaminar la cámara de medición, degradar la metrología y provocar daños en los rodamientos y los pistones como consecuencia de la mezcla de lubricante y pequeñas impurezas contenidas en el gas.
- Antes de mover el contador, vacíe siempre los carter de los extremos.

3.3.2 Elección del lubricante

Viscosidad: la viscosidad ha sido calculada para asegurar las prestaciones mecánicas y metrológicas del contador.

Referencias comerciales: el anexo 2 contiene una lista de lubricantes comerciales que pueden ser utilizados con gas industrial, a excepción de gases como el oxígeno y los halógenos. En el caso de utilizar otros gases, por favor, consúltenos.


3.3.3 Procedimiento de llenado y vaciado

Véase el anexo 3 para reconocer las tomas, visores de llenado y de vaciado.

Las operaciones de llenado y vaciado de aceite deberán ser realizadas con el contador instalado, pero despresurizado. Sin embargo, el uso de conectores Pete permite el llenado mientras el medidor está presurizado (hasta 20 bar). Ver Anexo 7.

Ambos carter, frontal y posterior, deben llenarse de lubricante, excepto los casos de Delta Compact o Delta Compact, SE, Evo y S1-Flow, que poseen solo un carter.

Ajustando el nivel de aceite:

Caso general: El nivel es correcto cuando el lubricante llega al centro  del visor.

Medidores de Acero: El lubricante debe ser llenado hasta superar el nivel "L"

- DN50 S1-Flow: Solo el carter frontal debe ser llenado de aceite. 4 conectores "F" y "D" están disponibles para llenar (Fill) y vaciar (Drain) aceite. Dependiendo de la orientación del medidor, un punto de nivel "L1" o "L2" deberá ser usado para ajustar el nivel de aceite. Ejemplo: Medidor sin instalar antes de llenado. El lubricante deberá ser llenado in "F" hasta que supera el punto "L" de llenado.

4 Accesorios

4.1 Accesorios eléctricos

Consejos para manipulación en atmósferas potencialmente explosivas (ATEX):

- Los emisores de pulsos deben ser conectados solo en áreas intrínsecamente seguras.
- Para limpiar el cabezal del contador utilizar, exclusivamente, un paño húmedo..
- Las partes de aluminio del medidor expuestas deben estar correctamente protegidas (utilizando pinturas especiales o barnices) debido a que una capa de óxido puede generarse por polvo presente en el ambiente.
- Debe tenerse en cuenta el contador para la evaluación de la instalación completa, en cuanto a riesgo de rayos.
- Al instalar, quitar o reparar un contador en el área de uso, solo se podrán utilizar herramientas permitidas en áreas potencialmente explosivas.
- El contador no deberá estar expuesto a: Fuego, radiación ionizada y ultrasonido. ó a campos electromagnéticos pulsantes.
- Deben considerarse las condiciones de temperatura ambiente, y también el posible efecto de un sobrecalentamiento debido a la presencia de otros dispositivos cercanos.

4.1.1 Emisor de baja frecuencia

Normalmente, el contador se suministra con uno/dos emisores de salida de pulsos de baja frecuencia. El emisor de baja frecuencia es un contacto por relé libre de potencial encapsulado normalmente abierto. Lea la placa de características del contador y el anexo 4 para obtener información sobre las conexiones. Deben tenerse en cuenta el espacio de aire, la distancia de fuga y la rigidez dieléctrica.

4.1.2 Antifraude

Los Contadores DELTA se suministran con emisor antifraude de estándar. Se trata de un contacto por relé libre

de potencial encapsulado normalmente cerrado. Véase la placa de características del contador para conocer los detalles de la conexión.

4.1.3 Emisor Cyble

El Emisor Cyble puede instalarse en cualquier momento sobre el totalizador, ver anexo 4. El Emisor Cyble es un emisor de pulsos sin rebotes, pudiendo tener en cuenta los caudales inversos eventualmente.

4.1.4 Emisor de media y alta frecuencia (se suministra como opción)

El contador puede suministrarse con un emisor de media y alta frecuencia. Se trata de un sensor inductivo y su conexión se realiza a un circuito de entrada tipo NAMUR (EN 60947-5-6).

4.2 Filtro de Malla

Un filtro de malla tipo gasket puede ser instalado directamente aguas arriba de medidores bridados en el lugar del filtro como protección ante partículas remanentes en la cañería aguas arriba. Se recomienda remover estos filtros luego de las primeras 4 a 8 semanas de operación.

4.3 Cartucho del secador exterior

El contador se puede equipar con un cartucho externo de silicagel para su instalación en condiciones extremas. Para reemplazar el cartucho, desatornille el cartucho viejo, quite el tapón protector del nuevo cartucho y atorníllelo en el totalizador.

4.4 Limitadores de flujo

Se recomienda utilizar limitadores de flujo para proteger el contador contra excesos de caudal o impulsos de presión causados por un diseño de instalación imperfecto

5 Puesta en servicio

5.1 General

El procedimiento de inicio depende siempre de la configuración de la instalación.

Antes de presurizar el contador, debe seguirse el procedimiento de lubricación. La presurización o despresurización debe llevarse a cabo con variaciones de presión muy bajas. La variación de presión no debe superar los 0,3 bar/5 psi por segundo. Luego de la puesta en marcha, comprobar la integridad de la instalación.

La correcta instalación y el buen funcionamiento del contador, puede verificarse por un control visual del totalizador (al comprobar que el contador gira correctamente), así mismo, por la medición de la pérdida de carga del contador en funcionamiento.

5.2 Instalación con by-pass: véase el anexo 5

INICIO:

Cerrar todas las válvulas.

- Abrir suavemente la válvula de by-pass para presurizar el tramo de tubería situada en el tramo inferior.
- Cuando la presión de la parte inferior esté equilibrada, abrir suavemente la pequeña válvula V1 que está situada por encima del contador. La variación de presión no debe superar los 0,3 bar por segundo.
- Cuando la presión en el contador esté equilibrada, abrir suavemente la válvula principal que se encuentra encima y después cerrar V1.
- Abrir lentamente la válvula que se encuentra por debajo del contador y comprobar que el contador empiece a registrar el flujo.
- Gradualmente, cerrar la válvula de bypass. Comprobar que la medida del caudal no supera la capacidad del contador.

PARADA :

- Abrir lentamente la válvula by-pass y, a continuación, cerrar las válvulas superior e inferior de la línea del contador.
- Abrir con cuidado la pequeña válvula de purga V2 y despresurizar el contador. La variación de presión no debe superar los 0,3 bar por segundo.
- Cierta cantidad de gas podría quedar atrapada en el contador o en la tubería, por lo que se recomienda ventilación adecuada.

5.3 Instalación sin by-pass : véase el anexo 6

INICIO :

Cerrar todas las válvulas.

- Abrir lentamente la válvula superior para presurizar la línea del contador. La variación de presión no debe superar los 0,3 bar por segundo. Cuando la presión se haya estabilizado, abrir por completo la válvula superior.
- Abrir lentamente la válvula inferior. Se debe abrir la válvula ligeramente para mantener :
- La presión del tramo superior de la línea del contador.
- Una medida del caudal baja en el contador durante la presurización en el tramo inferior del contador (aprox. 5% $Q_{m\acute{a}x}$).
- Una vez que la presión del tramo situado por debajo del contador se haya equilibrado, se podrá abrir por completo la válvula situada en el tramo inferior

PARADA :

- Cerrar muy lentamente la válvula inferior y comprobar que el contador no realiza más registros.
- Cerrar la válvula superior.

- Abrir lentamente la pequeña válvula de purga V2. La variación de presión no debe superar los 0,3 bar por segundo.
- Cierta cantidad de gas podría quedar atrapada en el contador o en la tubería, por lo que se recomienda ventilación adecuada.

5.4 Contadores situados tras un regulador

La instalación debe realizarse según las indicaciones del manual técnico del regulador específico. Durante la presurización y la despresurización, asegúrese de que la variación de la presión no exceda los 0,3 bar por segundo.

6 Mantenimiento

6.1 Mantenimiento del contador

Una vez instalado, el contador no requiere ninguna atención específica, excepto una comprobación periódica o cambio del lubricante contenido en los carters.

Después de la puesta en servicio:

Gas natural: tras finalizar la duración preliminar del servicio, debe comprobarse el nivel de lubricante.

Otros gases: transcurrido un período de trabajo de 100 horas desde la puesta en servicio, debe comprobarse el nivel de lubricante.

Si el nivel de lubricante estuviese bajo, emulsionado o se hubiese producido una reacción química entre el lubricante y el gas, el lubricante deberá ser analizado y sustituido para que se ajuste a las condiciones predominantes.

Cambio periódico del lubricante: El período entre comprobaciones o cambios de lubricante depende de las condiciones de funcionamiento (variación de la presión, medida del caudal...).

Gas natural: en condiciones normales, el lubricante debe sustituirse cada 5 a 8 años. Cuando el contador es utilizado con gas extremadamente limpio, este período puede ser extendido.

Otros gases: por favor, consúltenos.

Utilice productos sin alcohol para limpiar el contador.

Reparaciones deben realizarse solo por personal calificado. Luego de la reparación, es necesario realizar una prueba de estanqueidad con $1.1 \times PS$ (P_{max}).

Si se utiliza el contador con gas húmedo, el efecto de corrosión tanto interno como externo debe ser comprobado de forma regular y en caso de corrosión severa, el contador deberá ser re-emplazado.

Piezas de recambio:

Al cambiar piezas que estén expuestas a la presión, comprobar que cumplan con la Directiva PED.

6.2 Mantenimiento del equipo opcional

6.2.1 Emisores de BF y AF

Estos emisores no requieren ningún mantenimiento especial. La función de los emisores puede comprobarse comparando el índice electrónico con el índice del contador.

6.2.2 Filtro

Si apreciara una pérdida de presión, deberá comprobar el filtro y limpiarlo / sustituirlo antes de realizar cualquier operación de mantenimiento en el contador.

1	Technische gegevens	30
2	Verpakking	30
2.1	Opslag	30
2.2	Transport	30
3	Installatie	30
3.1	Algemeen	30
3.2	Filters	31
3.3	Smering	31
3.3.1	Algemeen	31
3.3.2	Keuze van de smeeroilie	31
3.3.3	Vul- en aftap voorschrift	31
4	Toebehoren	31
4.1	Elektrisch toebehoren	31
4.1.1	Laag-frequent impulsgever (standaard geleverd)	32
4.1.2	Antifraude schakeling	32
4.1.3	Cyble sensor	32
4.1.4	Midden-frequent, Hoog-frequent impulsgever (optioneel)	32
4.2	Filter	32
4.3	Extern droogelement	32
4.4	Stroombegrenzers	32
5	Opstarten	32
5.1	Algemeen	32
5.2	Installatie met bypass	33
5.3	Installatie zonder bypass	33
5.4	Gasmeters geplaatst achter een regelaar	33
6	Onderhoud	33
6.1	Onderhoud van de meter	33
6.2	Onderhoud van metertoehoren	34
6.2.1	LF- en HF- impulsgevers	34
6.2.2	Filter	34
7	Technische informatie	64

Zorg ervoor dat dit installatievoorschrift beschikbaar is voor alle direct betrokkenen.

Vraag aan de leverancier vooraf schriftelijk toestemming voor alle toepassingen die niet in dit installatievoorschrift worden vermeld. Hanteer alle nationale voorschriften die gelden voor installatie, werking en onderhoud van deze gasmeters.

Alle goedkeuringen zijn alleen geldig zolang er geen significante structurele wijzigingen aan het apparaat worden aangebracht.

1 Technische gegevens

Delta rotor gasmeters zijn ontworpen voor het meten van gasen zoals gespecificeerd in de EN 437 (1ste, 2de en 3de gas familie), daarnaast kunnen er ook verschillende gefilterde, niet-ontvlambare en niet-corrosieve gasen worden gemeten.

2 Verpakking

Afhankelijk van de afmetingen en type wordt de meter geleverd :

- in een kartonnen doos, beschermd en omgeven door polyethyleenschuim of gelijkwaardig.
- In een kartonnen doos verpakt op een pallet.

De verpakking bevat naast een flacon smeeroil, een (contra)stekker voor de LF impuls aansluiting en dit installatievoorschrift.

2.1 Opslag

Als de meter niet onmiddellijk wordt gebruikt, moet deze in een horizontale positie worden opgeslagen in een schone, droge omgeving. De afsluitdoppen in de inlaat en uitlaat dienen pas

bij installatie te worden verwijderd.

2.2 Transport

De meter wordt afgeleverd zonder smeermiddel in de reservoirs. Let op dat voor demontage, verzending of transport, de olie volledig is afgetapt uit het voor- en achterreservoir, om te vermijden dat olie in de meetkamer komt. Hijsen van meters alleen met behulp van een hijsstrop om het meterhuis of door gebruik te maken van de hijsogen.

3 Installatie

3.1 Algemeen

Door het volumetrische meetprincipe van de Delta meter wordt de metrologie niet beïnvloed door de wijze van montage. Niettemin worden bij naleving van de volgende regels de beste meetresultaten van de Delta meter verkregen.

Aanbevolen wijze van installatie: zie ANNEX 1.

- De meter is ontworpen voor installatie in een ATEX-zone 0. Binnen het leidingnetwerk zijn alleen niet-ontvlam-

bare gassamenstellingen toegestaan. Dat vereist om ATEX-redenen een inertisering voorafgaand aan het eerste gebruik met verbrandingsgassen. Hetzelfde geldt voor herinbedrijfname.

- Controleer, voor inbouw in de leiding, de vrijloop en spin van de meter, door voorzichtig in de meter te blazen.
- Bij gebruik in ATEX-zone 0 moeten Deltameters in aluminiumuitvoering door middel van een geschikte installatie worden beschermd tegen wrijvings- of stootprocessen door roestige stalen onderdelen om het ontstaan van een ontsteking te voorkomen.
- Controleer of de meter beschadigd is tijdens het transport.
- Het is niet toegestaan laswerk te verrichten aan een geïnstalleerde meter.
- De meter moet worden geïnstalleerd met de rotoren horizontaal. Toegestane waterpasafwijking: +/- 5°.
- Installeer een meter nooit op het laagste punt in het leidingsysteem, i.v.m. vocht of vuilophoping.
- Indien Teflon tape gebruikt wordt om de schroefverbinding af te dichten, dient te allen tijde vermeden te worden dat Teflon tape in de meetkamer terecht kan komen.
- De meter moet spanningsvrij in het leidingsysteem worden geïnstalleerd. Flenzen moeten correct worden uitgelijnd.
- De meter moet beschouwd worden als onderdeel van een mogelijk aardingssysteem.
- Bij UNCFlensaansluiting is de schroefdraad in inch volgens ANSI/ASME B1.1 – 1989 en is dit **GEEN** metrische draad. **Metrische schroefdraad en Inch schroefdraad zijn niet compatibel!**
- De bouten dienen kruislings te worden vast gezet.
- Er kan een flexibele flensverbinding worden gebruikt om te garanderen dat de installatie spanningsvrij wordt gemonteerd.
- Toepassing van een Gasket-filter, vlakflensfilter of een tophoedfilter aan de inlaatzijde van de meter, wordt te allen tijde geadviseerd. Zie § 3.2.

Voor installatie:

- Zorg bij installatie dat het leidingwerk schoon is en vrij is van vet, lasdeeltjes en stof.
- Beschermdoppen aan beide kanten van de meter verwijderen.
- Controleer of de gasstroomrichting overeenkomt met de richting van de pijl op de meter.
- Controleer of de rotoren vrij kunnen draaien.
- Te allen tijden dient te worden voorkomen dat er olie in het meetgedeelte kan lopen.
- Derhalve dient de olie pas te worden bijgevuld als de meter DEFINITIEF en op de juiste wijze in de gasinstallatie is geplaatst. Het op een werkbank vooraf geheel of gedeeltelijk vullen van de meter met olie en dan pas

transporteren en installeren naar de definitieve meteropstelling wordt derhalve geheel ontraden.

- Eventuele op de meter te monteren accessoires mogen de corrosiebestendigheid niet beïnvloeden.
- Bij de montage van de meter moet rekening worden gehouden met het maximale aanhaalmoment volgens de tabel in Bijlage 1. Bij meters waarbij het aanbevolen aanhaalmoment 100 Nm is, moeten alle schroeven eerst tot 70 Nm worden aangedraaid voordat ze tot 100 Nm worden aangedraaid. Elke bevestigingsstap moet kruislings rond de flens worden uitgevoerd.

3.2 Filters

Roterende gasmeters werken optimaal bij „schoon“ gas. Hiervoor is het aan te raden om een filter toe te passen aan de inlaatzijde van de meter, met een minimale filtergrootte van 100 µm of fijner. Controleer periodiek de vervuiling van de meter, met name in de beginperiode en na het verrichten van werkzaamheden.

Bij installatie met een stromingsrichting van onder naar boven moet speciale aandacht geschonken worden aan de filtering om te voorkomen dat opgehoopte stofdeeltjes aan de uitlaatzijde van de meter terug in de meter terecht kunnen komen. Er kan bijvoorbeeld een tweede filter aan de uitlaatzijde van de meter geïnstalleerd worden.

3.3 Smering

3.3.1 Algemeen

Gebruik alleen de door Dresser Utility Solutions geadviseerde smeerolie. Dit smeermiddel is neutraal en niet detergent. Belangrijk:

- Onvoldoende smering veroorzaakt vroegtijdige slijtage van de meter.
- Te veel smering kan de meetkamer verontreinigen. Hierdoor worden de metrologische eigenschappen verslechterd en/of schade veroorzaakt aan de lagers en aan de rotoren dit
- door een mengeling van vuil/gas en kleine verontreinigingen in de olie.
- Tap altijd de oliereservoirs (voor en achter) geheel af, alvorens de meter te transporteren.
- Dek tijdens het verwijderen van de meter alle toe- en afvoeropeningen naar behoren af.

3.3.2 Keuze van de smeerolie.

Viscositeit : De viscositeit is berekend om de optimale mechanische en metrologische werking van de meter te garanderen.

Commerciële referenties : ANNEX 2 bevat een lijst van in de handel verkrijgbare smeermiddelen die kunnen worden gebruikt voor aardgas met uitzondering van gassen

zoals zuurstof en halogenen. Raadpleeg ons a.u.b. bij toepassing voor andere gassen.

3.3.3 Vul- en aftap voorschrift van de olie

Zie ANNEX 3 voor de plaats van vullen via aftapplug en plaats peilglazen.


Het vullen en aftappen dient enkel te worden uitgevoerd indien de meter zich (nog) in zijn definitieve meteropstelling bevindt (werk-situatie).

Bij een reeds in bedrijf zijnde / geïnstalleerde meter dient het vullen- en aftappen van olie slechts onder atmosferische druk plaats te vinden (drukloos leidingsysteem). Bij gebruik van zgn. Pete's pluggen kan eventueel het smeerolieniveau worden aangevuld terwijl de meter onder druk staat (tot max. 20 bar). Zie ANNEX 7.

Het smeerolie-niveau is correct zodra de olie vanaf de onderzijde tot MAXIMAAL de helft van het peilglas zichtbaar is. Meer of extra olie toevoeging dient op dat moment te worden vermeden !

Bij al deze meters dient zowel het voor-als het achterreservoir met olie te worden gevuld. Dit geldt echter niet voor de Delta Compact, SE, Evo en S1-Flow. Deze type meters dienen alleen aan de voorzijde te worden gevuld.

Vulniveau van de olie

Algemeen: het vulniveau is correct indien de smeerolie zich tussen de  onderkant tot maximaal de helft van peilglas bevindt.

Stalen meters: hierbij moet de olie worden gevuld totdat de olie uit de opening "L" stroomt.

- DN50 S1-Flow: alleen het voorreservoir dient met olie te worden gevuld. Hiervoor zijn 4 pluggen "F" of "D" beschikbaar om olie toe te voegen of af te tappen. De laagst geplaatste plug moet worden gebruikt om de olie af te tappen. Afhankelijk van de positie van de meter dient het peilglas "L1" of "L2" te worden gebruikt om de juiste hoeveelheid olie tijdens het vullen te kunnen waarnemen. De olie moet via plug "F" worden toegevoegd totdat het via opening "L" uitstroomt. Enkel het laagst geplaatste peilglas dient te worden gebruikt om het juiste oliepeil te kunnen controleren.

In alle gevallen geldt: vullen met olie pas uitvoeren na definitieve plaatsing van de meter.

4 Toebehoren

4.1 Elektrisch toebehoren

Opmerkingen voor het gebruik in mogelijk explosieve omgeving (ATEX):

- Puls contacten mogen alleen worden aangesloten op intrinsiek veilige systemen.

- Reinig de meter uitsluitend met een vochtige doek.
- Als een dun laagje roestvorming kan ontstaan (vlieg-roest in de directe omgeving van de meter), moeten alle uitwendige aluminium delen dienovereenkomstig te worden beschermd (b.v. met een transparante vernislaag).
- In de bliksem risico evaluatie van de gehele installatie dient de meter meegenomen te worden.
- Bij installatie, demontage of reparatie van de meter op locatie, alleen gereedschap gebruiken wat is toegestaan voor explosieve omgeving.
- De meter mag niet worden blootgesteld aan: hoge omgevingstemperaturen, open vuur, straling, ultrasone geluidsgolven en sterke electro-magnetische velden.
- Bij het bepalen van de omgevingstemperatuur moet rekening gehouden worden met andere warmtebronnen indien deze zich in de directe omgeving bevinden.

4.1.1 Laag-frequent impulsgever (standaard uitvoering).

De gasmeter wordt standaard geleverd met een dubbel LF-pulsuitgang. De LF-impuls is van het type normaal open, Reed contact (potentiaalvrij). Zie het schemaplaatje op de meter en ANNEX 4 voor schakelinformatie. Er moet rekening worden gehouden met luchtspeling, kruipweg en diëlektrische sterkte.

4.1.2 Antifraude schakeling

Alle meters worden standaard geleverd met een anti-fraudecontact. Dit is een droog Reed contact van het type normaal gesloten (NC). Zie het schemaplaatje op de meter voor schakelinformatie.

4.1.3 Cyble sensor

De Cyble sensor kan te allen tijden op de telwerkplaat worden geplaatst, zie ANNEX 4.

De Cyble sensor is een potentiaal-vrije pulsgever. Ook kan met deze sensor eventuele terugstroming (back-flow) worden gedetecteerd.

4.1.4 Midden- & Hoog-frequent impulsgever (optioneel)

De gasmeter kan worden geleverd met een midden- of hoog frequent impulsgever (MF/HF).

Dit is een inductieve sensor. De frequentie hiervan is evenredig met de momentane flow.

De benaderingsschakelaar is conform NAMUR-uitvoering (EN 60947-5-6).

4.2 Filter

Voor geflensde meters kan, direct voor de inlaatzijde van de gasmeter in plaats van een standaard gaspakking, een gaasfilter of een zgn. tophoedfilter worden gemonteerd. Indien in de gasinstallatie reeds elders (maar voor de inlaat van de gasmeter !) een geschikt filter aanwezig is, behoeft geen extra gaas- of tophoedfilter te worden geplaatst. In alle overige gevallen wordt de toepassing van een gaas- of tophoedfilter voor de inlaat van de meter sterk aanbevolen !!

(Vervolg)schade ontstaan in het meetkamergedeelte/rotor door externe vervuiling zoals, ijzerslijpsel, zand, restanten teflontape, roestdeeltjes, metaalresten/bramen, inerte of chemische inhoudsstoffen van het te meten medium is in alle gevallen van garantie uitgesloten.

Het wordt aanbevolen het filter te reinigen c.q. te vervangen binnen 4 tot 8 weken nadat de meter in bedrijf is gesteld.

4.3 Extern droogelement

De meter kan uitgevoerd worden met een (opschroefbaar) extern vochtfilter voor installatie in de buitenlucht. Is dat het geval, schroef de oude los en schroef de nieuwe op het telwerk.

4.4 Stroombegrenzers

Het gebruik van stroombegrenzers wordt aanbevolen om de meter tegen overbelasting door te hoge flow of drukstoten te beschermen.

5 Opstarten

5.1 Algemeen

De opstartprocedure is altijd afhankelijk van de configuratie van de installatie.

Alvorens de gasmeter onder druk te zetten moet de olie-doorsmeer-procedure (punt 3.3) worden doorlopen. Het onder druk zetten of verlagen van de druk moet zodanig worden uitgevoerd dat

de optredende drukverandering maximaal 0.3 bar/5 P.S.I. per seconde niet wordt overschreden.

Na het opstarten dient de installatie te worden getest op gasdichtheid.

Een goede montage en het goed functioneren van de gasmeter kan worden gecontroleerd door middel van een visuele controle van het telwerk (indien de gasmeter draait) of het meten van het drukverlies door middel van de Pete's plugs. (Deze meting kan alleen uitgevoerd worden tot een bedrijfsdruk van maximaal 20 bar.)

5.2 Installatie met bypass : zie ANNEX 5

OPSTARTEN :

Begin met alle afsluiters gesloten.

- Open langzaam de bypass om het lagedrukgedeelte van de installatie op druk te zetten.
- Open als de uitlaatdruk in evenwicht is, langzaam de kleine afsluiter aan de inlaatzijde V1. De drukverandering mag 0.3 bar per seconde niet overschrijden.
- Open als de druk in de gasmeter in evenwicht is langzaam de afsluiter aan de inlaatzijde en sluit vervolgens V1.
- Open langzaam de afsluiter aan de uitlaatzijde en controleer of de gasmeter de doorgelaten gas stroom registreert.
- Sluit geleidelijk en op een langzame wijze de bypass-afsluiter. Controleer of de doorgelaten gasstroom de capaciteit van de gasmeter niet overschrijdt.

AFSCHAKELEN :

- Open langzaam de bypass-afsluiter en sluit vervolgens de afsluiter aan de inlaatzijde en daarna de afsluiter aan de uitlaatzijde van de installatie.
- Open voorzichtig de kleine expansieklep V2 en verlaag de druk op de gasmeter. De drukverandering mag opnieuw 0.3 bar per seconde niet overschrijden!
- Er kan zich nog een hoeveelheid gas in de meter en in de leiding bevinden, daartoe is een goede ventilatie vereist.

5.3 Installatie zonder bypass : zie ANNEX 6

OPSTARTEN :

Begin met alle afsluiters gesloten.

- Open de regelaar aan de inlaatzijde voorzichtig, dit om de installatie heel geleidelijk onder druk te zetten. (De drukverandering mag 0.3 bar per seconde niet overschrijden!). Open de inlaatafsluiter volledig als de druk in evenwicht is.
- Open de uitlaatafsluiter voorzichtig en minimaal. Deze afsluiter moet weinig geopend worden om:
 - de inlaatdruk in de installatie te handhaven.
 - een lage stroomsnelheid in de gasmeter tijdens het inbedrijfstelling (ca. 5% Qmax) aan te houden.

Als de uitlaatdruk in evenwicht is kan de uitlaatafsluiter geheel worden geopend.

AFSCHAKELEN :

- Sluit heel langzaam de uitlaatafsluiter en controleer of de gasmeter niet meer registreert.
- Sluit de inlaatafsluiter.
- Open langzaam de kleine afsluiter V2. (Let op: De drukverandering mag wederom 0.3 bar per seconde niet overschrijden).
- Er kan zich nog een hoeveelheid gas in de meter en in de leiding bevinden, daartoe is een goede ventilatie vereist.

5.4 Gas meters geplaatst achter een regelaar

Installatie moet gebeuren conform de technische handleiding van de betreffende regelaar. Tijdens het op druk zetten en het verlagen van de gasdruk in de installatie zijn drukveranderingen groter dan 0,3 bar per seconde niet toegestaan. Spontaan optredende drukstoten in de gasinstallatie kunnen de gasmeter dusdanig beschadigen, zodat onder andere de rotorassen kunnen kromtrekken.

6 Onderhoud

6.1 Onderhoud van de meter

Na installatie behoeft de meter geen speciale aandacht met uitzondering van de periodieke controles (minimaal 1 x per jaar) of bij olieverversing.

Na opstarten :

Aardgas : Controleer regelmatig het olieniveau aan de voor en achter zijde van de meter.

Overige gassen : Na een bedrijfstijd van 100 uur na inbedrijfstelling dient het smeerolie niveau te worden gecontroleerd.

Als het smeerolieniveau te laag is, of als de smeerolie is vervuild of een chemische reactie optreedt tussen de smeerolie en het gas, moet de smeerolie geheel worden verversed en de controle worden aangepast aan de heersende omstandigheden.

Periodieke verversing van de smeerolie : De tijdsperiode tussen de controles of verversingen van de smeerolie is afhankelijk van de bedrijfsomstandigheden (variatie in werkdruk, capaciteit)

Aardgas : Onder normale omstandigheden dient de smeerolie na 5 - 8 jaar geheel te worden verversed.

Overige gassen : Raadpleeg Dresser Utility Solutions a.u.b. Gebruik voor reiniging van de meter een vet-en alcohol vrij product.

Reparatie mag alleen worden uitgevoerd door deskundig personeel.

Na iedere reparatie dient een dichtheid test van 1,1 x PS (Pmax) worden uitgevoerd.

Indien een zgn. "nat" gas wordt gemeten, dient controle op inwendige en uitwendige corrosie regelmatig te worden uitgevoerd. In extreme gevallen moet de meter worden vervangen.

Reserve onderdelen:

Indien onderdelen moeten worden vervangen, welke "drukbelast" zijn, gebruik dan alleen reservedelen conform eisen als genoemd in de betreffende PED specificatie.

6.2 Onderhoud van meter-toebehoren

6.2.1 LF- en HF- impulsgevers

Deze impulsgevers vergen geen speciaal onderhoud. De juiste werking van de impulsgevers kan worden gecontroleerd door met behulp van een elektronische pulsteller het doorgestroomde volume, aangegeven op het mechanische telwerk, te vergelijken.

6.2.2 Filter

Indien een toename van drukverlies wordt geconstateerd, dient het filter te worden gecontroleerd c.q. te worden gereinigd en te worden vervangen bij elk onderhoud aan de gasmeter.

1	Özellikler	36
2	Paketleme	36
	2.1 Depolama	36
	2.2 Malın tertip ve tanzimi	36
3	Tesisata Döşeme	36
	3.1 Genellikler	36
	3.2 Filtreleme	36
	3.3 Yağlama	37
	3.3.1 Genellikler	37
	3.3.2 Yağ seçimi	37
	3.3.3 Doldurma ve drenaj yöntemleri	37
4	Aksesuarlar	37
	4.1 Elektrikli aksesuarlar	37
	4.1.1 Düşük Frekans vericisi (standart olarak sağlanmaktadır)	37
	4.1.2 Müdahaleye karşı	37
	4.1.3 Cyble sensörü	37
	4.1.4 Orta & yüksek frekanslı vericiler (opsiyon olarak sağlanmaktadır)	37
	4.2 Sızdırmazlık Contası - Filtre	37
	4.3 Dışkurutucu kartuş	38
	4.4 Debi limitleyicisi	38
5	Devreye alma	38
	5.1 Genellikler	38
	5.2 Baypas ile tesisat döşeme	38
	5.3 Baypas'sız kurulum	38
	5.4 Regülatörden sonra yerleştirilen sayaçlar	38
6	Bakım	38
	6.1 Sayacın bakımı	38
	6.2 Opsiyonel ekipmanların bakımı	39
	6.2.1 LF ve HF vericiler	39
	6.2.2 Filtre	39
7	Özellikler	64

Bu kılavuzu tüm kullanıcılar tarafından kolayca ulaşabilir şekilde tutunuz.

Bu kullanım kılavuzunda bahsedilmeyen tüm durumlar için üreticinin yazılı onayını isteyiniz.

Gaz sayaçların tesisat döşemesi, çalışması ve bakımı için lütfen tüm ulusal kurallara uyunuz.

Tüm onaylar yalnızca cihazda önemli yapısal değişiklikler yapılmadığı sürece geçerlidir.

1 Özellikler

Delta ölçüm cihazları, EN437'ye göre 1., 2. ve 3. gaz ailesinin yanı sıra çeşitli filtrelenmiş, yanıcı olmayan ve aşındırıcı olmayan gazları ölçmek için tasarlanmıştır.

2 Paketleme

Sayaç, boyutuna ve versiyonuna göre aşağıdaki gibi teslim ediliyor:

- Bireysel kutuda, karton aralayıcılar veya polietilenli kısıki ile korunmuş,
- Ağaç palet üzerinde, karton kapak ile korunmuş.

Paket dolgu yağını, takılmış verici için tapaları ve bu kullanım kılavuzunu içerecektir.

2.1 Depolama

Eğer sayaç hemen kullanılmayacak ise, yatay pozisyonda, temiz ve kuru çevrede korunmuş şekilde depolanması gerekiyor.

Kuruluma kadar giriş ve çıkış borudaki sıkıştırılmış kapaklar yerinde durması gerekiyor.

2.2 Malın tertip ve tanzimi

Sayaç tapaları yağsız olarak teslim ediliyor. Malın her gönderi ve tertip ve tanzimi öncesinde, ölçüm grubunun içine yağın kazara dökülmesini önlemek için ön ve arka tapalarından yağın tamamen boşaltılması gerekiyor. Sayaçlar, yalnızca ana gövde etrafında olan bir kuşak veya delik halkaları ile kaldırılmalıdır.

3 Tesisata Döşeme

3.1 Genel bilgiler

Delta sayacın hacim ölçümü prensibinden dolayı, metrolojisi montaj şartlarından etkilenmiyor. Yinede aşağıdaki kuralların uyumu Delta sayacınızın en uygun kullanımını sağlayacaktır:

Tavsiye edilen montaj: Ek 1'e bakınız

- Sayaç, ATEX Zone 0'a monte edilmek üzere tasarlanmıştır. Boru şebekesi içinde ise sadece tutuşmayan gaz bileşimlerine izin verilir. Bu, ATEX nedenleriyle yanma gazlarıyla ilk kullanımdan önce bir etkisizleştirme gerektirir. Aynı durum yeniden devreye alma için de geçerlidir.

- Boru hattına monte edilmeden önce, hareket kolaylığını üfleyerek kontrol edin.
- ATEX Zone 0'da kullanıldığında, alüminyum tasarımlı Rotary sayaçlar, bir tutuşmanın oluşmasını önlemek için uygun bir kurulum ile paslı çelik bileşenlerden sürtünme veya darbeye karşı korunmalıdır.
- Taşıma esnasında sayacın zarar görmediğine dair görsel olarak kontrol ediniz.
- Sayaç monte edildiğinde kaynak müsaade edilmiyor.
- Sayaç pistonları yatay şekilde monte edilecektir. İzin verilen sapma $\pm 5^\circ$.
- Sayaçları partikül veya su birikimine konu olacak boru sisteminin alçak noktasına hiçbir zaman monte etmeyiniz.
- Dişli bağlantının sızdırmazlığını sağlamak için teflon bant kullanılırsa, o zaman ölçüm odacığına bantın girmesini engellemek için çok dikkat edilmesi gerekmektedir.
- Sayaç boru sistemine zorlama olmadan monte edilmesi gerekiyor. Flanşlar doğru olarak sıralanması gerekiyor.
- UNC flanşlarda dişler metrik DEĞİLDİR ama inch ile tanımlanır, takip eden ANSI/ASME B1.1-1989.

Metrik dişler ve inch ile tanımlanan dişler uyumlu değildir!

- Lütfen civataları karşıt çift olarak sıkınız.
- Baskısız montaj sağlamak için esnek bir bağlama kullanılabilir.
- Yüksek partikül içerikli gaz durumunda sayacın girişine yerleştirilmiş filtre kullanımı tavsiye ediliyor. §3.2'e bakınız.
- Montajdan önce:
- Sayacın girişinde bulunan boru tozdan arındırılmış olması gerekiyor.
- Sayaç, uygun bir topraklama sistemi içerisinde değerlendirilmelidir.
- Koruyucu sıkıştırılmış kapakları çıkartınız.
- Gaz akış yönünün sayaç gövdesinde bulunan ok ile uyumlu olmasını sağlayınız.
- Pistonlar serbestçe döndüğüne dair kontrol ediniz.
- Sayacın üzerine takılacak aksesuarların sayacın korrozyon korumasına zarar vermemeli.
- Sayacı monte ederken, Ek 1'deki tabloya göre maksimum tork dikkate alınmalıdır. Önerilen torkun 100 Nm olduğu ölçüm cihazları için, 100 Nm'ye sıkmadan önce tüm vidaları önce 70 Nm'de sıkın. Her bir sabitleme adımı flanş çevresinde çaprazlama olmalıdır.

3.2 Filtreleme

Eğer gaz partikül içermezse Rotary sayaçlar daha iyi çalışıyorlar. O yüzden sayacın giriş kısmında gazın filtrelenmesi öneriliyor. Önerilen filtreleme seviyesi 100µm veya daha fazla dir.

Sayaç devredeyken, belirli zamanlarda filtrelerin temizliğini kontrol ediniz, özellikle yeni bir montaj veya boru sisteminin çıkışında çalışma yapımı durumundan sonra. Baştan aşağıya akış yönü ile kurulum için, sayacın aşağı yönde toz akışının birikip sayaca geri dönmesini engelle-

mek için filtreleme koşulları için özellikle dikkat edilmelidir. Örneğin, sayacın girişine ikinci bir filtre takılabilir.

3.3 Yağlama

3.3.1 Genellikler

Yağ çalışma şartlarına göre seçiniz. Yağ nötr ve arıtıcı özelliği olmaması gerekiyor. Önemli:

- Yağ eksikliği sayacın erken aşınmasına sebep olabilir.
- Yağ fazlalığı da problemlere neden olabilir. Gaz'ın içerdiği küçük kirliliklerin ve yağın karışımından dolayı yağ fazlalığı ölçüm grubunu kirletebilir, mil yataklarına ve pistonlara zarara neden olabilir.
- Arka tapaları her zaman sayacın değişiminden önce boşaltınız.

3.3.2 Yağ seçimi

Viskozite: Viskozite sayacın mekanik ve metrolojik performanslarını sağlamak için hesaplanmıştır.


Ticari referanslar: Ek 2 halojenler ve oksijen gibi gazlar hariç endüstriyel gaz için kullanılacak ticari yağ listesi içeriyor. Diğer gazlar için, lütfen bize başvurunuz.

3.3.3 Doldurma ve drenaj yöntemleri

Yağ seviye göstergesi, drenaj ve tapa yerleri için Ek 3'ya bakınız.

Doldurma ve drenaj işlemleri sayaç boru sistemine yerleştirildiğinde yapılması gerekiyor, fakat basınç altında değil, sayaç basınç altındayken Pete's Plug kullanımı yağ seviyesini doldurmaya izin veriyor (20 bara kadar). Ek 7'e bakınız. Yalnızca ön tapa doldurulması gereken Kompakt Delta, SE, Evo ve S1-Flow hariç, ön ve arka tapalar yağ ile doldurulması gerekir.

Yağ seviyesinin ayarlanması:

Genel durum: Seviye en düşük görünüşte olduğunda doğrudur 

Çelik gövdeli sayaçlar: Yağ "L" seviye noktasının dışına çıkana kadar doldurulmalıdır:

- DN50 S1-Flow: Yalnızca ön tapa yağ ile doldurulmalıdır. 4 adet "F" veya "D" tapalar doldurulmaya veya boşaltılmaya müsaittir; en düşük olanı boşaltma için kullanılmalıdır. Sayacın yönüne bağlı olarak, 1 seviye noktası "L1" veya "L2" yağ seviyesini ayarlamak için kullanılmalıdır yani doldurmadan önce gevşetilmiş. Yağ "L" seviye noktasını geçene kadar "F" de doldurulmalıdır, yağ seviyesini ayarlamak için yalnızca en düşük seviye noktası kullanılmalıdır.

4 Aksesuarlar

4.1 Elektrikli aksesuarlar

Potansiyel tehlikeli bölgelerde olan sayaçların kullanımı hakkında talimatlar (ATEX):

- Pulse vericileri özel güvenli devrelere bağlanmalıdır.
- Sayacı sadece nemli bir bez ile temizleyin.
- Eğer ince bir pas tabakası oluşursa sayacın çevresinde görünen tüm alüminyum parçalar uygun bir şekilde korunması gerekir (boya, vernik, vs. kullanılarak).
- Sayaç tüm sistemin yıldırım riskini değerlendirmede dikkate alınmalıdır.
- Sahada sayacı kurmak, kaldırmak veya tamir etmek için kullanılan aletler, tehlikeli bölgede kullanabilmek için uygun olmalıdır unutmayın ki sayacın değiştirilmesi sırasındaki tehlikeli bölge sınıflandırılması normal sayaç çalışma sırasındakinden farklı olabilir.
- Sayaç aleve, iyonlaşmış radyasyona, ultrason veya güçlü bir elektromanyetik alana maruz kalmamalıdır.
- Ortam sıcaklık koşullarını ve yakın çevredeki diğer cihazlardan kaynaklı olası ilave sıcaklık etkileri göz önünde bulundurulmalıdır.

4.1.1 Düşük Frekans vericisi (standart olarak sağlanmaktadır)

Sayaç genellikle çift LF pulse çıkış vericisi ile teslim edilmektedir. LF kuru bir reed switch tir ve genellikle açıktır. Bağlantı bilgileri için sayacın etiketine ve Ek 4'e bakınız. Hava boşluğu, kaçak mesafesi ve yalıtkan dayanımı dikkate alınmalıdır.

4.1.2 Müdahaleye karşı

Sayaç standart olarak müdahaleye karşı switch ile teslim edilmektedir. Kuru bir reed switch tir ve genellikle kapalıdır. Bağlantı detayları için sayacın etiketine bakınız.

4.1.3 Cyble sensörü

Herhangi bir zamanda bir Cyble sensörü numaratorün üst kısmına yerleştirilebilir, Ek 4'e bakınız. Cyble sensörü sıçrayışsız bir vericidir. Olası geri akışların sayılmasını da sağlayabiliyor.

4.1.4 Orta & yüksek frekanslı vericiler (opsiyon olarak sağlanmaktadır)

Sayaç orta veya yüksek frekanslı vericiler ile teslim edilebilir. İletici sensörler var, ve bağlantı NAMUR tipli bir giriş devresine yapılmaktadır (EN 60947-5-6).

4.2 Sızdırmazlık Contası - Filtre

Flanşlı sayaçlar için, bir "Filtre-contası" standart contanın yerine doğrudan sayacın çıkışına koyulabilir: çıkış borusunda kalan partiküllere karşı bir korumadır. Yaklaşık 4'ten

8 haftalık bir çalışma süresinden sonra filtreyi çıkartmak önerilmektedir.

4.3 Dış kurutucu kartuş

Sayaç zorlu çevre şartlarında montajı için harici bir silicagel kartuşu ile ekipmanlı olabilir. Kartuşu değiştirmek için, eski kartuşun vidalarını çıkartınız, yeni kartuşun koruyucu tapasını çıkartınız ve numaratörün içine vidalayınız.

4.4 Debi limitleyicisi

Sayacı, düzgün olmayan montajdan kaynaklı yüksek akış ve basınç dalgalanmalarından korumak için debi limitleyicisi kullanılması tavsiye edilir.

5 Devreye alma

5.1 Genellikler

Devreye alma prosedürü her zaman kurulum konfigürasyonuna bağlıdır. Sayacı basınçta tutmadan önce, yağlama prosedürü yerine getirilmelidir. Basınçta tutmak veya basınçtan almak çok düşük basınç değişiklikleri ile yerine getirilmelidir. Basınç değişikliği saniyede 0.3 bar/5 P.S.I. geçmemelidir.

Devreye aldıktan sonra, tesisat döşemesinin sıklığını kontrol ediniz.

Uygun tesisat döşeme ve sayacın işlerliği numaratörün görsel kontrolü (sayacın doğru bir şekilde saydığını kontrol etmek için) ve sayaç basınçta iken (20 bar'a kadar) basınç kaybını ölçmeyi izin verebilen Pete's Plugs kullanımına rağmen sayaç çalışırken bu basınç kaybını ölçerek kontrol edilebilir.

5.2 Baypas ile tesisat döşeme: Ek 5'e bakınız

DEVREYE ALMA:

Tüm vanalar kapalı iken başlayınız.

- Giriş borularını basınçta tutmak için baypas vanasını yavaşça açınız.
- Basınç girişte dengelendiğinde, V1 küçük çıkış vanasını yavaşça açınız. Basınç değişikliği saniyede 0.3 bar'ı geçmemesi gerekir.
- Basınç sayaçta dengelendiğinde, önce ana çıkış vanasını yavaşça açınız sonra V1'i kapatınız.
- Giriş vanasını yavaşça açınız ve sayacın akışı kaydetmeye başladığını kontrol ediniz.
- Baypas vanasını aşamalı olarak kapatınız. Akış oranının sayacın kapasitesini geçmediğini kontrol ediniz.
- KAPATMA:
- Baypas vanasını yavaşça açınız ve sayaç hattındaki giriş ve çıkış vanalarını kapatınız.
- V2 vanasının küçük çeşmesini dikkatlice açınız ve sayacı basınçtan alınız. Basınç değişikliği saniyede 0.3 bar'ı geçmemelidir.
- Bazı gazlar sayacın ve borunun içerisinde kalabiliyor, o

nedenle yeterli havalandırma gerekmektedir.

5.3 Baypas'sız kurulum: Ek 6'e bakınız

DEVREYE ALMA:

Tüm vanalar kapalı iken başlayınız.

- Sayaç hattını basınçta tutmak için çıkış vanasını az açınız. Basınç değişikliği saniyede 0.3 bar'ı geçmemelidir. Basınç dengelendiğinde, çıkış vanasını tamamen açınız.
- Giriş vanasını az açınız. Vana aşağıdaki konuları korumak için az açılmalıdır:
- Çıkış basıncını sayaç hattında tutmak için.
- Girişte basınçta tutarken düşük bir akış oranı için (yaklaşık Qmax'ın %5'i).

Giriş basıncı dengelendiğinde, giriş vanası tamamen açılabilir.

KAPATMA:

- Giriş vanasını çok yavaşça kapatınız ve sayacın daha fazla kaydetmediği kontrol ediniz.
- Çıkış vanasını kapatınız.
- V2 vanasının küçük çeşmesini yavaşça açınız. Basınç değişikliği saniyede 0.3 bar'ı geçmemelidir.
- Bazı gazlar sayacın ve borunun içerisinde kalabiliyor, o nedenle yeterli havalandırma gerekmektedir.

5.4 Regülatörden sonra yerleştirilen sayaçlar

Tesisat döşeme belirli regülatörün teknik kılavuzuna uygun olarak yapılmalıdır. Basınçta tutma veya basınçtan alma esnasında, basınç değişikliğinin saniyede 0.3 bar'ı geçmediğinden emin olunuz.

6 Bakım

6.1 Sayacın bakımı

Kurulduğunda, periyodik kontrol veya tapalardaki yağın değişimi haricinde sayaç herhangi özel bir bakım gerektiriyor.

Çalıştırmadan sonra:

Doğal gaz: Ön hizmet süresinden sonra, yağ seviyesi kontrol edilmelidir.

Diğer gazlar: Devreye alındığında 100 saatlik bir çalışma süresinden sonra, yağ seviyesi kontrol edilmelidir.

Yağ seviyesi oldukça düşük ise, yağ özelliğini kaybettiye veya gaz ile yağın arasında kimyasal bir reaksiyon var ise, yağ tekrar değerlendirilmeli ve en geçerli şartlara göre değiştirilmelidir.

Yağın periyodik değişimi:

Yağın kontrolleri veya değişimleri arasındaki süre çalışma şartlarına bağlıdır (basınç değişikliği, akış oranı...).

Doğal gaz: Normal şartlarda, yağ her 5 ile 8 yıl arasında değişmelidir. Sayaç oldukça temiz bir gaz ile kullanıldığında bu süre uzatılabilir.

Diğer gazlar: Lütfen bize danışınız.

Sayacı temizlemek için solvent ve alkol içermeyen ürünler kullanınız.

Tamir yalnızca kalifiye personel tarafından yapılmalıdır. Sonra 1.1 x PS (Pmax) ile bir sıklık testi gerçekleştirilmelidir. Eğer ıslak gaz ile kullanılıyorsa, korozyonun iç ve dış etkisi düzenli olarak kontrol edilmelidir ve ciddi bir korozyon durumunda, sayaç değiştirilmelidir.

Yedek parçalar:

Basınç içeren parçalar değiştirildiğinde, PED ile uyumlu yedek parçaların kullanılmasını sağlayın.

6.2 Opsiyonel ekipmanların bakımı

6.2.1 LF ve HF vericiler

Bu vericiler herhangi bir özel bakım gerektirmiyor. Vericilerin fonksiyonu elektronik endeksi sayacın endeksiyle karşılaştırarak kontrol edilebilir.

6.2.2 Filtre

Basınç kaybı artışı fark edilirse, sayaçta herhangi bir bakımdan önce filtre kontrol edilmeli ve temizlenmeli/değiştirilmelidir.

1	Características	41
2	Embalagem	41
2.1	Armazenamento	41
2.2	Manuseio	41
3	Instalação	41
3.1	Geral	41
3.2	Filtragem	42
3.3	Lubrificação	42
3.3.1	Geral	42
3.3.2	Escolha do lubrificante	42
3.3.3	Procedimento para enchimento e drenagem	42
4	Acessórios	42
4.1	Acessórios Elétricos	42
4.1.1	Transmissor de baixa frequência (fornecido como padrão)	42
4.1.2	Anti-fraude	43
4.1.3	Sensor Cyble	43
4.1.4	Transmissores de alta e média frequência (fornecidos como opção)	43
4.2	Filtro tipo junta (Gasket)	43
4.3	Cartucho externo de silicagel	43
4.4	Limitadores de fluxo	43
5	Partida	43
5.1	Geral	43
5.2	Instalação com by-pass	43
5.3	Instalação sem by-pass	43
5.4	Medidores instalados após regulador	43
6	Manutenção	44
6.1	Manutenção do medidor	44
6.2	Manutenção de equipamento opcional	44
6.2.1	Transmissores LF e HF	44
6.2.2	Filtro	44
7	Características	64

Mantenha este manual com acesso fácil para todos os usuários. Solicite a aprovação escrita do fabricante para todos os casos não planejados neste manual de instruções. Por favor, respeite todas as regras nacionais para instalação, operação e serviços com medidores de gás.

Todas as aprovações são válidas somente se não forem realizadas alterações estruturais significativas no dispositivo.

1 Características

Medidores DELTA são projetados para medir gases da primeira, segunda e terceira famílias como especificado na EN437, assim como vários gases filtrados, não inflamáveis e não corrosivos.

2 Embalagem

O medidor, dependendo do tamanho ou versão é fornecido:

- Em uma caixa de papelão, protegido por divisórias internas ou proteções em polietileno.
- Sobre um pallet de madeira, protegido por uma tampa de papelão. A embalagem deve conter o óleo lubrificante, plugs para instalação dos transmissores e este manual de instruções.

2.1 Estocagem

Se o medidor não for utilizado imediatamente, deverá ser estocado em um ambiente limpo, seco e na posição horizontal.

Os tampões fixados na entrada e na saída do medidor devem permanecer no local até a instalação.

2.2 Manuseio

O medidor é entregue sem lubrificação. Antes de transportar ou manusear, assegure-se que o lubrificante das tampas dianteira e traseira foram totalmente drenados para prevenir que derramem dentro da câmara de medição. Os medidores devem ser içados com talha e/ou cintas adequadas e que devem ser passadas ao redor do corpo ou através dos olhais.

3 Instalação

3.1 Geral

Devido ao princípio volumétrico do medidor DELTA, sua metrologia não é influenciada pelas condições de instalação. Além disso, o respeito às seguintes regras assegurarão o melhor uso do seu medidor DELTA.

Instalação Recomendada: Ver anexo 1.

- O medidor foi projetado para ser instalado em uma zona ATEX 0, sendo que dentro da rede de tubulação só são permitidas composições de gás não inflamáveis.

Isso requer, por motivos de ATEX, uma inertização antes do uso inicial com gases de combustão. O mesmo se aplica ao recomissionamento.

- Além disso, verifique a facilidade de movimentação soprando-o antes da instalação na tubulação.
- Quando usado na zona 0 da ATEX, os medidores Delta com design de alumínio devem ser protegidos contra processos de fricção ou impacto por componentes de aço enferrujado por meio de uma instalação adequada para evitar a geração de uma ignição.
- Cheque visualmente se o medidor não foi danificado durante o transporte.
- Nenhuma solda é permitida com o medidor instalado.
- O medidor deverá ser instalado com os êmbolos na horizontal. Desvio permitido: +/- 5°.
- Nunca instale o medidor em um ponto baixo da tubulação onde este possa estar sujeito ao acúmulo de água ou partículas.
- Se for utilizada fita teflon para vedação da rosca, redobre a atenção para evitar que a fita entre na câmara de medição.
- O medidor deve ser instalado à tubulação livre de tensões. Os flanges devem estar corretamente alinhados.
- O medidor deve ser considerado em um possível sistema aterrado
- Em flanges padrão UNC, as roscas não são métricas, mas, definidas em Polegadas, conforme ANSI/ASME B1.1-1989.

Roscas métricas e roscas definidas em polegadas não são compatíveis!

- Por favor, o aperto dos parafusos deve ser feito em pares opostos (em cruz).
- Um acoplamento flexível pode ser usado para assegurar uma instalação livre de tensões.
- O uso de um filtro localizado à montante do medidor é aconselhável para gases que contenham altas concentrações de partículas. Ver § 3.2.

Antes da instalação:

- A tubulação à montante do medidor deve estar livre de poeira/ impurezas.
- Remova os tampões protetores da entrada e saída.
- Assegure-se que a direção do fluxo de gás corresponde com o sentido da seta situada no corpo do medidor.
- Certifique-se que os êmbolos giram livremente.
- Possíveis acessórios a serem montados no medidor não devem interferir na sua proteção contra corrosão.
- Ao montar o contador, o torque máximo de acordo com a tabela do Apêndice 1 deve ser tido em conta. Para contadores onde o torque recomendado é de 100 Nm, apertar primeiro todos os parafusos a 70 Nm antes de apertar a 100 Nm. Cada passo de aperto deve ser cruzado em torno da flange.

3.2 Filtragem

Medidores Rotativos trabalham melhor se o gás não possuir partículas sólidas. Sendo assim, recomenda-se filtrar o gás na entrada do medidor. O nível de filtragem recomendado é de 100micras ou melhor.

Enquanto o medidor estiver em serviço, verifique periodicamente a limpeza do filtro, especialmente nos casos de uma nova instalação ou após a realização de trabalhos na tubulação antes do medidor.

Para a instalação com a direção do fluxo de baixo para cima, uma atenção especial deve ser tomada com as condições de filtragem para evitar que o acúmulo de sujeira a jusante do medidor possa voltar para dentro do mesmo. Por exemplo, um segundo filtro pode ser instalado a jusante do medidor.

3.3 Lubrificação

3.3.1 Geral

Escolha o lubrificante de acordo com as condições de operação. Este lubrificante deverá ser neutro e não detergente. Importante:

A falta de lubrificante pode causar um desgaste prematuro do medidor.

O excesso de lubrificante também pode provocar problemas. Um excedente de lubrificante pode contaminar a câmara de medição, degradar a metrologia e causar danos aos rolamentos e êmbolos, devido à mistura do lubrificante com pequenas impurezas contidas no gás.

Sempre drenar os cárteres dos extremos antes de mover o medidor.

3.3.2 Escolha do lubrificante

Viscosidade: A viscosidade foi calculada para assegurar a performance mecânica e metrológica do medidor.

Referências Comerciais: O anexo 2 contém uma lista de lubrificantes comerciais utilizados com gás industrial, exceto gases como oxigênio e halogênios. Para outros gases, por favor consulte-nos.

3.3.3 Procedimento para enchimento e drenagem

Veja Anexo 3 para localização dos plugs de enchimento, drenagem e indicadores de nível.

As operações de enchimento e drenagem devem ser realizadas com o medidor instalado à tubulação, mas sem pressurizar. Porém, através do uso de Pete's Plug, pode-se completar o nível do lubrificante mesmo quando o medidor estiver pressurizado (até 20 bar). Ver Anexo 7.

As tampas dianteira e traseira devem ser preenchidas com lubrificante, exceto para o Delta Compacto, SE, Evo e S1-Flow onde somente a tampa frontal deve ser preenchida.



Ajustando o nível de óleo:

Caso geral: O nível está correto quando passa o centro do visor mais baixo localizado.

Medidores corpo de aço: O lubrificante deve ser preenchido até fluir fora do ponto de nível " L "

DN50 S1-Flow: Somente o reservatório frontal deve ser preenchido com óleo. 4 plugs " F " ou " D " são fornecidos para encher ou drenar o reservatório; o mais baixo deve ser usado para drenar. Dependendo da orientação do medidor, um ponto de nível " L1 " ou " L2 " deve ser usado para ajustar o nível do óleo, no exemplo, retirado antes do enchimento. O lubrificante tem que ser preenchido em " F " até fluir fora do ponto de nível " L " e somente o ponto de nível mais baixo deve ser usado para ajustar o nível do óleo.

4 Acessórios

4.1 Acessórios elétricos

Comentários sobre o uso do medidor em áreas potencialmente explosivas (ATEX):

- Transmissores de pulso devem ser conectados a circuitos intrinsecamente seguros.
- Limpar o totalizador apenas com pano úmido.
- Todas as partes expostas de alumínio devem ser devidamente protegidas (usando tinta, verniz, etc), se uma camada de ferrugem se formar devido poeira do ambiente.
- O medidor deve ser levado em consideração na avaliação de risco de descarga elétrica na instalação completa.
- Ferramentas usadas para instalação, remoção ou reparos do medidor no local devem ser apropriadas para uso em áreas de risco, tendo em mente que a classificação de área de risco durante a troca do medidor pode ser diferente de quando o medidor estiver em condições normais de operação.
- O medidor não deve ser exposto ao fogo, radiação ionizante, ultra-som ou forte campo eletromagnético.
- Devem ser consideradas as condições de temperatura ambiente, incluindo possíveis efeitos adicionais de aquecimento devido a outros dispositivos nas imediações.

4.1.1 Transmissores de baixa frequência (fornecidos como padrão)

O medidor é normalmente fornecido com duplo transmissor de pulso de baixa frequência (LF). O LF é um contato seco e normalmente aberto. Veja no mostrador do medidor e o Anexo 4 para informações das conexões. Deve-se considerar o espaçamento livre de ar (Clearance), a distância de fuga (Creepage) e a resistência dielétrica.

4.1.2 Anti-Fraude

O medidor é fornecido como padrão com um transmissor anti-fraude. Trata-se de um contato seco normalmente

fechado. Veja no mostrador do medidor para detalhes de conexão.

4.1.3 Sensor Cyble

Um sensor Cyble pode ser instalado no totalizador a qualquer momento, veja anexo 4. O sensor Cyble é livre de efeito bounce (repique). Também permite a contagem de eventuais fluxos reversos.

4.1.4 Transmissores de Média e Alta Frequência (fornecidos como opção)

O medidor pode ser fornecido com transmissores de média ou alta frequência. Existem sensores indutivos e sua conexão é para um circuito de entrada tipo NAMUR (EN 60947-5-6).

4.2 Filtro tipo junta

Um " Filtro tipo junta " pode ser inserido diretamente à montante dos medidores flangeados no lugar da junta padrão: isto é uma proteção contra partículas remanescentes na tubulação à montante. É recomendável removê-lo após 4 a 8 semanas de operação.

4.3 Cartucho externo de silicagel

O medidor pode ser equipado com cartucho externo de silicagel para condições ambientais extremas. Para substituir, desaparafuse o cartucho antigo, remova o plug de proteção do novo cartucho e parafuseo ao totalizador.

4.4 Limitadores de fluxo

Limitadores de fluxo são recomendados para serem usados para proteger o medidor contra sobrecargas ou pulsos de pressão causados por um layout de instalação não perfeito

5 Partida

5.1 Geral

O procedimento de partida depende sempre da configuração da instalação.

Antes de pressurizar o medidor, deve-se seguir o procedimento de lubrificação. Pressurização ou despressurização devem ser realizadas com baixa variação de pressão. A variação de pressão não deve exceder 0,3 bar/ 5 psi por segundo.

Após a partida, favor checar a estanqueidade da instalação.

A instalação adequada e o funcionamento do medidor podem ser verificados por um controle visual do totalizador (para checar que o medidor está funcionando corre-

tamente) e por medição da perda de carga, que através do uso de Pete's Plug, a perda de carga pode ser medida mesmo com o medidor pressurizado (até 20 bar).

5.2 Instalação com by-pass - Ver anexo 5

PARTIDA:

- Comece com todas as válvulas fechadas.
- Abra suavemente a válvula by-pass para pressurizar a tubulação à jusante do medidor.
- Quando a pressão à jusante estiver equilibrada, abra suavemente a válvula V1 à montante do medidor. A variação de pressão não deve superar 0,3 bar por segundo.
- Quando a pressão estiver balanceada no medidor, abra lentamente a válvula principal da entrada do medidor e então feche V1.
- Abra lentamente a válvula de saída e comprove que o medidor começa a registrar o fluxo.
- Gradualmente, feche a válvula do by-pass. Comprove que a vazão não excede a capacidade do medidor.

PARADA:

Abra lentamente a válvula do by-pass e então feche as válvulas à montante e à jusante na linha do medidor. Cuidadosamente, abra a válvula de purga V2 e despressurize o medidor. A variação de pressão não deve exceder 0,3 bar por segundo. Alguns gases ainda ficam dentro do medidor e da tubulação, por isso é necessária ventilação suficiente.

5.3 Instalação sem by-pass - Ver anexo 6

PARTIDA:

Comece com todas as válvulas fechadas.

- Abra lentamente a válvula à montante para pressurizar a linha do medidor. A variação de pressão não deve exceder 0,3 bar por segundo. Quando a pressão estiver estabelecida, abra totalmente a válvula à montante.
- Abra lentamente a válvula à jusante. Deverá ser aberta uma pequena quantidade para manter:
- A pressão à montante na linha do medidor.
- Uma baixa vazão no medidor durante a pressurização à jusante (aproximadamente 5% Q_{max}).
- Quando a pressão à jusante estiver equilibrada, a válvula da saída pode ser completamente aberta.

PARADA:

- Feche lentamente a válvula à jusante e cheque que o medidor não está mais registrando.
- Feche a válvula à montante.
- Abra lentamente a válvula de purga V2. A variação de pressão não deverá exceder 0,3 bar por segundo.
- Alguns gases ainda ficam dentro do medidor e da tubulação, por isso é necessária ventilação suficiente.

5.4 Medidores instalados após um regulador

A instalação deverá ser feita de acordo com o manual técnico do regulador específico. Durante a pressurização e

despressurização, assegure-se que a variação de pressão não exceda 0,3 bar por segundo.

6 Manutenção

6.1 Manutenção do medidor

Uma vez instalado, o medidor não requer nenhuma atenção específica, exceto uma checagem periódica ou troca do lubrificante contido nos reservatórios.

Após a partida:

Gás Natural: Após a fase preliminar de serviço, o nível de lubrificante deverá ser checado.

Outros Gases: Após um período de trabalho de 100 horas desde o comissionamento, o nível de lubrificante deverá ser checado.

Se o nível de lubrificante estiver consideravelmente baixo, se o lubrificante estiver emulsificado (gorduroso ou com aparência estranha) ou se houver uma reação química entre o lubrificante e o gás, o lubrificante deverá ser reavaliado e substituído para se adequar às condições predominantes.

Troca periódica do lubrificante:

O período entre a checagem ou troca do lubrificante depende das condições de operação (variação de pressão, vazão ...)

Gás Natural: Sob condições normais, o lubrificante tem que ser trocado a cada 5 à 8 anos. Quando o medidor é utilizado com gás extremamente limpo, este período pode ser estendido.

Outros gases: Por favor, consulte-nos.

Use solvente e produtos livre de álcool para limpar o medidor.

Reparos devem ser feitos somente por pessoal qualificado. Depois, um teste de estanqueidade deve ser realizado com $1.1 \times PS$ (P_{max})

Se usado com gás úmido, efeitos internos ou externos de corrosão devem ser checados regularmente e em casos de corrosão severa, o medidor deve ser substituído.

Peças sobressalentes:

Quando se troca peças sujeitas à pressão, assegure-se que as mesmas estão em conformidade com a tabela PED.

6.2 Manutenção de equipamento opcional

6.2.1 – Transmissores LF e HF

Esses transmissores não requerem nenhuma manutenção específica. A função dos transmissores pode ser checada comparando-se o registrador eletrônico com o registrador do medidor.

6.2.2 – Filtro

Se um aumento da perda de pressão for notado, o filtro deverá ser checado e limpo/trocado antes de qualquer manutenção no medidor.

1 Caracteristici46
2 Ambalare46
2.1 Depozitare46
2.2 Manipulare46
3 Instalare.46
3.1 Generalități46
3.2 Filtrare47
3.3 Lubrefiere.47
3.3.1 Generalități47
3.3.2 Alegerea lubrifiantului47
3.3.3 Procedura de umplere și drenare47
4 Accesorii47
4.1 Accesorii electrice47
4.1.1 Transmițător de joasă frecvență (furnizat ca standard).47
4.1.2 Antifraudă47
4.1.3 Cyble senzor47
4.1.4 Transmițătoare de medie și joasă frecvență (furnizate optional)48
4.2 Garnitură-Filtru48
4.3 Cartuș uscare extern48
4.4 Limitatoarele de debit48
5 Punerea în funcțiune48
5.1 Generalități48
5.2 Instalarea cu by-pass48
5.3 Instalarea fără by-pass48
5.4 Contoare amplasate după regulator48
6 Întreținere49
6.1 Întreținerea contorului.49
6.2 Întreținerea echipamentului opțional49
6.2.1 Transmițătoare LF și HF49
6.2.2 Filtru49
7 Anexă64

Păstrați acest manual ușor accesibil pentru toți utilizatorii. Cereți o aprobare scrisă a producătorului pentru toate cazurile care nu sunt prevăzute în acest manual de instrucțiuni. Vă rugăm să respectați toate regulile naționale pentru instalare, operare și service a contoarelor de gaz. Toate aprobările sunt valabile doar atâta timp cât nu se fac modificări structurale semnificative ale dispozitivului.

1 Caracteristici

Contoarele Delta sunt proiectate pentru a măsura gazele din 1-a, familiile 2 și 3 de gaze așa cum sunt specificate în EN437 precum și diferite gaze filtrate, neinflamabile și non-corozive.

2 Ambalare

Contorul, în funcție de dimensiune sau versiunea constructivă este livrat:

Într-o cutie de carton, protejat de inserții de carton sau folie protectoare.

Pe un palet de lemn, protejat într-o cutie de carton.

Pachetul conține uleiul de lubrifiere, conectori pentru transmisiile instalate și prezentul manual de instrucțiuni.

2.1 Depozitare

Dacă contorul nu va fi pus imediat în funcțiune, va trebui depozitat într-un loc acoperit și uscat, în poziție orizontală. Se vor păstra capacele de protecție de pe intrarea și ieșirea în contor până în momentul instalării.

2.2 Manipulare

Contorul este livrat fără lubrifiant umplut în rezervele din interiorul carcasei. Înainte de transport sau manipulare, asigurați-vă că lubrifiantul a fost golit din partea superioară și cea inferioară a carcasei contorului, pentru a preveni pătrunderea uleiului în unitatea de măsură. Contorul se va ridica doar cu curea înfășurată în jurul contorului principal sau de inelele de prindere.

3 Instalare

3.1 Generalități

Datorită principiului de măsură volumetric a contoarelor DELTA, metrologia contorului nu este influențată de condițiile de instalare. Cu toate acestea respectarea următoarelor reguli vă asigură o funcționare bună și fiabilă a contoarelor dvs. Delta:

Instalarea recomandată: Vedeți Anexa 1

Verificați vizual dacă contorul nu a suferit lovituri în urma transportului.

Nu este permisă sudura cu contorul montat pe conductă.

Contorul trebuie instalat cu rotorul în poziție orizontală.

Deviație permisă: +/- 5°.

Niciodată nu instalați contorul în punctul cel mai de jos a instalației unde contorul ar putea suferi în urma acumulării de apă și alte particule.

În cazul în care banda de teflon este utilizată pentru etanșarea îmbinărilor cu filet, atunci trebuie avută cea mai mare atenție pentru a evita introducerea de bandă în camera de măsurare.

Contorul trebuie să fie instalat fără stres în conducte. Flanșele trebuie să fie corect aliniat.

- Contorul este proiectat pentru a fi instalat într-o zonă ATEX 0. În timp ce în interiorul rețelei de conducte sunt permise numai compoziții de gaze neinflamabile. Această cerință este din motive ATEX, o inertizare înainte de utilizarea inițială cu gaze de combustie. Același lucru este valabil și pentru repunerea în funcțiune.
- Verificați suplimentar ușurința de mișcare prin suflare, înainte de instalarea în conductă.
- Atunci când este utilizat în zona ATEX 0, contoarele Delta în construcție din aluminiu trebuie să fie protejate de procesele de frecare sau de impact de către componentele din oțel ruginit prin intermediul unei instalații adecvate pentru a preveni producerea unei aprinderi.
- Contorul trebuie să fie luat în considerare într-un posibil sistem cu împământare.
- La flanșe cu filet UNC, filetul nu este metric, dar definit în inch respectând ANSI / ASME B1 .1-1989. Filetul metric și filetul în inci nu sunt compatibile!
- Vă rugăm să strângeți șuruburile în perechi opuse
- Un cuplaj flexibil poate fi folosit pentru a asigura o instalare fără stres.
- Utilizarea unui filtru, plasat în amonte de contor, este recomandabil, în gaz cu conținut ridicat de particule. A se vedea § 3.2.

Înainte de instalare:

- Conductele din amonte trebuie curățate de praf.
- Îndepărtați capacele de protecție.
- Asigurați-vă că direcția de curgere a gazului corespunde cu săgeata indicată pe corpul contorului.
- Verificați ca pistoanele să se rotească liber.
- Posibilele accesorii care trebuie asamblate pe contor nu trebuie să interfereze cu protecția la coroziune a contorului.
- La montarea contorului, trebuie să se țină seama de cuplul maxim conform tabelului din apendicele 1. Pentru contoarele pentru care cuplul recomandat este de 100 Nm, strângeți mai întâi toate șuruburile la 70 Nm înainte de a le strânge la 100 Nm. Fiecare etapă de fixare trebuie să fie transversală în jurul flanșei.

3.2 Filtrare

Contoarele cu pistoane funcționează mai bine dacă nu sunt particule de impurități în gaz. Se recomandă, prin urmare, să se filtreze gazul în amonte de contor. Nivelul recomandat de filtrare este de 100 μm sau mai bine. În timp ce contorul este în funcțiune, verificați periodic curățenia filtrului, mai ales în cazul unei instalații noi sau după ce lucrări au fost efectuate pe conductele din amonte.

Pentru instalare cu direcția de curgere de jos în sus o atenție deosebită trebuie să fie luate la condițiile de filtrare pentru a evita ca acumularea de praf din aval de contor să se întoarcă în contor. De exemplu, un al doilea filtru poate fi instalat în aval de contor.

3.3 Lubrefiere

3.3.1 Generalități

Alegeți tipul de lubrifianț corespunzător condițiilor de operare. Acest lubrifianț ar trebui să fie neutru și fără conținut de detergenți. Important:

O lipsă a lubrifianțului poate cauza uzura prematură a contorului.

Un exces de lubrifianț poate de asemenea cauza probleme. Surplusul de lubrifianț poate contamina camera de măsură, poate modifica performanțele metrologice și poate cauza degradarea rulmenților și a pistoanelor datorită amestecului de lubrifianț și impuritățile din gaz.

Întotdeauna scoateți uleiul din rezervoarele contorului înainte de dezamblarea contorului.

3.3.2 Alegerea tipului de lubrifianț

Vâscozitate: Vâscozitatea a fost calculată pentru a asigura performanțele mecanice și metrologice ale contorului.

Referințe comerciale: Anexa 2 conține o listă de lubrifianți comerciali utilizați în industria gazelor cu excepția oxigenului și a halogenului. Pentru alte categorii de gaze vă rugăm să ne contactați.

3.3.3 Procedura de umplere și golire a rezervoarelor

A se vedea anexa 3 pentru localizarea prizelor de umplere, golire și vizualizare a nivelului.

Operațiunile de umplere și drenare trebuie făcute cu contorul instalat pe rețeaua de conducte, fără a fi sub presiune; prin intermediul prizei Pete's Plug se poate executa umplerea cu lubrifianț chiar aflat sub presiune (până la 20 bar). Vedeți Anexa 7.

Ambele rezervoare cu ulei trebuie să fie umplute cu ulei, cu excepția modelelor Delta Compact, SE, Evo sau S1-Flow pentru care trebuie completate doar rezervoarele frontale. Ajustarea nivelului de ulei:

Caz general: Nivelul este corect atunci când trece de centrul



Contoarele cu corp de oțel: Trebuie completat cu lubrifianț până când trece de nivelul punctului "L"

- DN50 S1-Flow: doar rezervorul frontal trebuie completat. Sunt disponibile 4 prize "F" sau "D" pentru rezervorul de completare sau drenare; cel mai jos trebuie folosit pentru drenare. În funcție de orientarea contorului, un punct de nivel "L1" sau "L2" trebuie folosit pentru ajustarea nivelului de ulei ex: desfiletarea înainte umplerii. Lubrifianțul trebuie completat până la "F" până când trece de punctul de nivel "L", doar cel mai jos punct de nivel trebuie utilizat pentru a drena uleiul.

4 Accesorii

4.1 Accesorii electrice

Remarci despre folosirea contorului în zone cu potențial periculos (ATEX):

- Transmițătoarele de impuls trebuie conectate la circuite de siguranță intrinseci.
- Curățați totalizatorul contorului numai cu o cârpă umezită.
- Toate componentele aluminiu expuse trebuie protejate corespunzător (folosind vopsea, lac, etc.) este posibilă ruginirea datorită prafului din compartiment.
- Contorul trebuie să fie prevăzut cu protecție de tip paratrăsnet.
- Uneltele folosite pentru instalarea, îndepărtarea sau repararea contorului pe site trebuie să fie adecvate zonelor periculoase, având în vedere că aceste zone pot diferi în funcție de amplasarea contorului.
- Contorul nu trebuie expus la flammă, ionizare, radiații, ultrasunete sau câmp puternic electromagnetic.
- Condițiile de temperatura ambientală trebuie luate în considerare, inclusiv posibile efecte de încălzire datorate altor dispozitive aflate în imediata apropiere.

4.1.1 Transmițătoarele de joasă frecvență (furnizate standard)

În mod normal, contorul este livrat cu două transmițătoare LF. Transmițătorul LF este un contact uscat tip Reed, normal deschis. Consultați plăcuța cu nume a contorului și Anexa 4 pentru informații despre conexiune. Trebuie să se ia în considerare spațiul liber de aer, distanța de izolare la suprafață și rezistența dielectrică.

4.1.2 Anti-fraudă

Contorul este livrat standard cu contact anti fraudă. Este un contact uscat Reed și este normal închis. Vezi eticheta contorului pentru detalii.

4.1.3 Cyble sensor

Un modul Cyble sensor poate fi instalat pe totalizator la orice moment, vedeți Anexa 4. Cyble sensor este un transmițător fără componente în mișcare. Permite măsurarea debitului invers.

4.1.4 Transmițătoare de medie și înaltă frecvență (furnizate opțional)

Contorul poate fi livrat cu transmițătoare de medie și înaltă frecvență. Sunt senzori inductivi, iar conexiunea de intrare este un circuit de tip NAMUR (EN 60947-5-6).

4.2 Filtru

Un filtru-garnitură poate fi inserat direct în amonte față de contorul cu flanșe în locul filtrului standard: este o protecție împotriva particulelor din amonte de contor. Este recomandată îndepărtarea lui după 4 până la 8 săptămâni de operare.

4.3 Cartuș uscare extern

Contorul poate fi echipat cu un cartuș extern de silica-gel pentru instalații în condiții severe. Pentru a schimba cartușul, desfiletați cartușul vechi, îndepărați dopul protector al noului cartuș și înfiletați-l în totalizator.

4.4 Limitatoarele de debit

Limitatoarele de debit sunt recomandate pentru a proteja contorul împotriva supra-debitelor sau a puseurilor de presiune cauzate de o instalare necorespunzătoare.

5 Punerea în funcțiune

5.1 Generalități

Procedura de pornire este întotdeauna dependentă de configurația instalației. Înainte de a presuriza contorul, trebuie făcută lubrifierea acestuia. Presurizarea sau depresurizarea trebuie făcută cu grijă, fără schimbarea bruscă a regimului de presiune. Schimbarea presiunii nu trebuie să depășească : 0.3 bar/5 P.S.I. pe secundă. După pornire, verificați etanșeitatea instalației. Instalarea și funcționarea corectă a contorului poate fi verificată în mod direct prin vizualizarea totalizatorului (pentru a verifica dacă contorul funcționează corespunzător) și prin verificarea pierderii de presiune cu ajutorul Pete's Plugs.

5.2 Instalarea cu by-pass: Vedeți Anexa 5

OPRIRE:

Începeți cu toate vanele închise.

- Deschideți ușor vana din amonte pentru a presuriza contorul.
- Presiunea nu trebuie să varieze mai mult de 0.3 bar pe secundă.
- Când presiunea este echilibrată, deschideți la maxim vana din amonte.
- Deschideți ușor vana din amonte și verificați dacă totalizatorul începe să înregistreze.
- Închideți, în mod gradual vana de by-pass. Verificați debitul pentru a nu depăși capacitatea contorului.

OPRIRE:

- Deschideți ușor vana de by-pass și închideți vanele din amonte și aval de linia contorului.
- Deschideți ușor vana V2. Variația de presiune nu ar trebui să depășească 0.3 bar/sec.
- Atenție la existența gazului în interiorul instalației, se recomandă ventilarea înainte.

5.3 Instalarea fără by-pass: Vedeți Anexa 6

OPRIRE:

Începeți cu toate vanele închise.

- Deschideți ușor vana din amonte pentru a presuriza contorul. Presiunea nu trebuie să varieze mai mult de 0.3 bar pe secundă. Când presiunea este echilibrată, deschideți la maxim vana din amonte.
- Deschideți ușor vana din aval. Vana trebuie deschisă ușor pentru a menține:
 - presiunea în amonte pe linia contorului.
 - un debit mic în contor în timpul presurizării în aval (aprox. 5% Qmax).

Când presiunea din aval este echilibrată, vana din aval poate fi complet deschisă.

OPRIRE:

- Închideți foarte încet vana din aval și verificați ca sistemul de măsură să nu înregistreze debit.
- Închideți vana din amonte.
- Deschideți ușor vana V2. Variația de presiune nu trebuie să depășească 0.3 bar/sec.
- Atenție la existența gazului în interiorul instalației, se recomandă ventilarea înainte.

5.4 Contorul plasat după regulator

Instalarea trebuie să se facă în concordanță cu manualul tehnic al regulatorului. În timpul presurizării și a depresurizării, asigurați-vă că variația de presiune nu depășește 0.3 bar/secundă.

6 Întreținere

6.1 Întreținerea contorului

Odată instalat, contorul nu necesită o întreținere specială, cu excepția verificării periodice a uleiului. După pornire:

Gaz natural: După termenul preliminar de service, ar trebui verificat nivelul lubrifiantului.

Alte gaze: După o perioadă de funcționare de 100 de ore de la pornire, se va verifica nivelul de ulei.

Dacă nivelul lubrifiantului este foarte jos, și dacă lubrifiantul este emulsionat sau dacă este vreo reacție chimică între lubrifiant și gaz, lubrifiantul ar trebui reevaluat și schimbat în condiții corespunzătoare. Schimbarea periodică a lubrifiantului:

Perioada de verificare a lubrifiantului depinde de condițiile de lucru (variația presiunii, debit...).

Gaz natural: În condiții normale, lubrifiantul trebuie schimbat odată la 5 ani. Atunci când contorul este folosit doar cu gaze foarte curate, perioada se poate extinde.

Alte gaze: Vă rugăm să ne contactați.

Folosiți solvenți și produse fără alcool pentru a curăța contorul.

Repararea trebuie făcută doar de personal calificat. După reparare trebuie făcut un test la $1.1 \times PS$ (P_{max}).

Dacă se utilizează gaz umed, efectele corozive trebuie verificate la interior și la exterior și în caz de coroziune avansată, contorul trebuie înlocuit.

Piese de schimb: La schimbarea părților aflate sub presiune, asigurați-vă că părțile sunt compatibile PED.

6.2 Întreținerea echipamentelor opționale

6.2.1 Transmițătoare LF și HF

Aceste transmițătoare nu necesită nici o întreținere specifică. Funcționarea transmițătoarelor poate fi verificată comparând indexul contorului cu indexul electronic al convertorului de volum.

6.2.2 Filtrare

Dacă se observă o creștere a căderii de presiune, filtrul trebuie verificat și curățat/înlocuit înainte de orice intervenție asupra contorului

1	특징	51
2	포장	51
2.1	보관	51
2.2	취급	51
3	설치	51
3.1	일반	51
3.2	필터링	51
3.3	운할	52
3.3.1	일반	52
3.3.2	운할유의 선택	52
3.3.3	주입과 제거의 순서	52
4	부속품	52
4.1	전기적 부속품	52
4.1.1	저주파 출력장치 (기본장착)	52
4.1.2	Anti tampering	52
4.1.3	Cyble sensor	52
4.1.4	Medium & high frequency transmitters (옵션으로 제공)	52
4.2	Gasket-Filter	52
4.3	외부 dryer cartridge	52
5	시작 (Start-up)	53
5.1	일반	53
5.2	By-pass와 함께 설치할 경우	53
5.3	By-pass 없이 설치할 경우	53
5.4	압력조정기 후단에 미터가 설치된 경우	53
4.4	Flow limiters	53
6	유지보수	53
6.1	미터의 유지보수	53
6.2	옵션장비의 유지 보수	53
6.2.1	저주파와 고주파 트랜스미터	53
6.2.2	Filter	53
7	첨부	64

본 매뉴얼을 모든 사용자가 쉽게 접근할 수 있도록 보관하세요.

본 매뉴얼에 나와있지 않은 부분에 대해서는 제조업체에 서면으로 질의 하세요. 가스미터의 설치, 작동, 사후 관리에 대해서는 국내법을 준수하세요. 계량기에 조립되는 가능한 액세서리들은 녹방지처리를 간섭하지 말아야 한다. 모든 승인은 장치에 중요한 구조적 변경이 없는 경우에만 유효합니다.

1 특징

Delta 미터는 각종 여과된, 점화가능하지 않는, 비 부식성가스를 포함한 EN437에서 분류한 1종, 2종, 3종가스의 계량에 적합 하도록 설계되었습니다.

2 포장

- 미터는 사이즈 혹은 버전에 따라 :
- Cardboard cover에 의해 보호된 wood pallet위에 Carton 고정물, 혹은 폴리에틸렌 웨지로 보호된 Cardboard 박스에 포장됩니다.

패키징에는 운할을, 펄스 출력을 위한 플러그와 매뉴얼이 담겨있게 됩니다.

2.1 보관

만일 미터가 바로 사용되지 않는다면, 청결하고, 마른 환경하에 수평보관 되어야 합니다.

입구와 출구에 붙여진 Cap은 설치시까지 보전되어야 합니다.

2.2 취급

미터는 커버에 운할이 되지 않은채로 제공이 됩니다. 운송이나 취급전에, 계량실 내부에 오일이 들어가는 것을 예방하기 위해, 전면, 후면 커버에서 운할유를 완전히 제거하세요. 미터는 바디나 미터위의 구멍에 벨트를 채워 올리세요.

3 설치

3.1 일반

Delta 미터의 실측식 원리로 인해 계량은 설치 조건에 의해 영향을 받지 않습니다. 그럼에도 불구하고, Delta 미터의 적절한 사용을 위해 아래의 규칙은 지켜져야 합니다.:

권고 설치 환경: 첨부1를 참고하세요

- 이 계량기는 ATEX 구역 0에 설치하도록 설계되었습니다. 반면 파이프 네트워크 내부에는 인화성 가스 성분이 아닌 것만 허용됩니다. 이를 위해서는 연소 가스로 최초 사용 전에 불활성화를 실시해야 합니다. 재시운전에도 동일하게 적용됩니다.
- 파이프라인에 설치하기 전에, 움직임을 좋게하기 위해 가동 전에 풀어내기로 체크해 보세요.
- 알루미늄 디자인의 델타 미터가 ATEX Zone 0에서 사용될 경우, 발화를 방지하기 위해 부적절한 설치로 인해 녹슬은 강철 구성 요소에 의한 마찰 또는 충격

공정으로부터 보호되어야 합니다. 이를 위해 적절한 설치 방법을 통해 예방해야 합니다.

- 운송중에 파손되지 않았는지 확인하세요.
- 미터가 설치된 상태에서 용접을 해서는 않습니다.
- 임펠러가 수평으로 설치된 상태이어야 합니다. 허용된 오차는 $\pm 5^\circ$ 입니다.
- 수분이나 이물질이 모일 수 있는 배관의 아래부분에 설치해서는 절대 안됩니다.
- 만일 기밀을 위해 테프론 테이프가 사용될 경우 계량실에 테이프가 들어가지 않도록 주의하세요.
- 미터는 설치시 뒤틀림 없이 설치되어야 합니다. 플랜지는 올바르게 정렬되어야 합니다.
- 계량기는 가능한 접지 시스템을 고려해야 설치 해야 한다.
- UNC 나사산 플랜지에서, 나사산은 미터가 아니라 ANSI/ASME B1.1-1989에 정의된 인치에 따릅니다. 미터 나사산과 인치 나사산은 호환되지 않습니다!
- 볼트를 조일때는 반대편 볼트를 짝으로 하여 조이세요.
- 뒤틀림 없는 설치를 위해 플렉서블 커플링을 사용할 수도 있습니다.
- 이물질이 많은 가스에 사용될 경우 전단에 필터를 사용하는 것을 추천합니다. 3.2항을 참고하세요. .

설치전 :

- 미터의 전단 배관에는 이물질이 없어야 합니다.
- 보호 캡을 제거 하세요.
- 미터 몸체에 있는 화살표와 가스가 흐르는 방향이 맞는지 확인하세요.
- 임펠러가 잘 움직이는지 확인하세요. 계량기에 조립되는 가능한 액세서리들은 녹방지처리를 간섭하지 말아야 한다.
- 계량기에 조립되는 가능한 액세서리들은 녹방지처리를 간섭하지 말아야 한다.
- 미터를 장착 할 때 부록 1의 표에 따른 최대 토크를 고려해야합니다. 권장 토크가 100Nm 인 계량기의 경우 100Nm로 조이기 전에 먼저 모든 나사를 70Nm로 조입니다. 각 고정 단계는 플랜지 주변에서 십자형으로 이루어져야합니다.

3.2 필터링

로타리 미터는 이물질이 없을 때 더 잘 작동하기에, 미터 전단에 필터를 사용하는 것을 추천합니다. 필터의 메시는 100 μm 이상을 추천 합니다.

미터를 사용하는 동안 필터의 청결도를 주기적으로 확인하세요. 특히 신규설치나 전단에 작업을 했을 경우 특히 주의하세요.

아래에서 위로 향하는 설치를 했을 경우 필터 상태에 대해 특히 주의를 해야 하며, 절대 권고 하지 않습니다. 미터 후단에 모인 이물질이 미터로 거꾸로 되돌아 올 수 있습니다. 예를 들어 미터 후단에 추가 필터를 설치할 수 있습니다.

3.3 윤활

3.3.1 일반

작동 상태에 따라 윤활을 선택하세요.

중요사항:

- 윤활의 부족은 미터의 수명을 짧게 할 수 있습니다.
- 과도한 윤활은 문제를 야기 할 수 있습니다. 과다 윤활은 계량실을 오염시킬 수 있고, 미터의 성능을 저하시킬 수 있으며, 가스내 작은 불순물과 함께 베어링과 임펠러의 고장을 유발할 수 있습니다.
- 미터를 이용하기 전에 오일을 제거 하세요.

3.3.2 윤활유의 선택

점도: 미터의 기계적 계량적 성능을 확실히 하기위해 점도를 계산합니다.

추천 윤활유 : 첨부 2은, 산소와 할로젠을 제외한, 산업용 가스에 적합한 상용 윤활유의 목록을 포함하고 있습니다. 다른 가스에서의 사용은 문의해 주세요.

3.3.3 주입과 제거 순서

첨부 3의 주입 제거 플러그와 눈금을 참고하세요.

주입과 제거 작업은 배관에 미터가 설치된, 그러나 가압은 되지 않은 상태에서 이루어져야 합니다. Pete's Plug는 20bar까지 가압이 된 상태에서 윤활이 될 수 있도록 합니다. 첨부7를 참고하세요.

전방 커버와 뒤쪽 커버 모두 윤활유로 채워야합니다 (단, 앞 커버 만 채워야하는 Delta Compact, SE, Evo 및 S1-Flow 제외).

일반적인 경우 : 가장 낮은 오일창 게이지의 중앙에 도달 했을 때가 알맞은 수위입니다.

스틸 바디 미터 : 윤활유가 level point "L"에서 흘러나올 때까지 주입해야 합니다.

- DN50 S1-Flow: 앞면에만 오일을 주입해야 합니다. "F"나 "D"의 4개의 플러그가 주입이나 제거할 때 사용되며 가장 낮은 플러그가 제거를 위해 사용됩니다. 미터의 회전에 따라 L1이나 L2가 수위조절을 위해 사용되어야 합니다. 윤활유는 "F"를 통해 "L"에서 흘러나올 때 까지 주입되어야 하며, 가장 낮은 곳에 위치한 포인트가 오일 수위를 위해 사용되어야 합니다.

4 부속품

4.1 전기적 부속품

위험지역에서의 사용 (ATEX):

- 펄스 트랜스미터는 본질 안전 회로에 연결해야 합니다
- 축축한 형질으로 만 레지스터를 청소하십시오
- 주변환경이 녹을 유발시킬 수 있을 경우 모든 노출된 알미늄 부분은 적절히 보호되어야 합니다 (도색, 니스칠 등).

- 미터는 번개의 위험에 대해서도 충분히 고려되어야 합니다.
- 미터의 설치, 제거, 수리를 위해 사용되는 공구는 위험지역 사용에 적합한 것이어야 한다. 위험지역 분류는 미터작업 중일때와 일반적인 사용상황일 때 틀릴 수 있음을 유념하기 바랍니다.
- 미터는 화염, 방사능, 전리 방사선, 초음파, 혹은 강한 자기장에 노출되어서는 안됩니다.
- 주변의 다른 기기로 인한 추가적인 가열효과를 포함하여, 주변온도 조건은 고려되어야 한다

4.1.1 저주파 출력장치 (기본 장착)

미터는 일반적으로 2개의 LF 펄스 출력장치와 함께 제공됩니다. LF는 dry reed switch 이며 normal open입니다. 미터의 명판을 참고하시고 연결정보는 첨부4을 참고하세요. 공기 간극, 연면 거리 및 유전체 강도를 고려해야 합니다.

4.1.2 Anti-tampering

미터는 기본 anti-tampering switch와 함께 제공됩니다. Dry reed switch이며 normal open입니다. 연결정보는 미터의 명판을 참고하세요.

4.1.3 Cyble sensor

사이블 센서는 미터 레지스터에 언제나 설치될 수 있습니다. 첨부 4을 참고하세요. 사이블 센서는 바운스가 생기지 않는 트랜스미터이며 역류를 카운트하기도 합니다.

4.1.4 Medium & high frequency transmitters (옵션으로 제공됩니다)

미터에는 중주파, 혹은 고주파 트랜스미터가 설치될 수 있습니다. Inductive sensor이며 연결은 NAMUR-type input circuit (EN 60947-5-6)을 이용합니다.

4.2 Gasket-Filter

가스켓필터는 미터 전단 기본 가스켓의 위치에 삽입될 수 있습니다: 전단 배관에 남아있을 수 있는 이물질들을 걸러내기 위한 것입니다. 공급개시 4~8주에 제거 해주는 것을 추천합니다.

4.3 외부 dryer cartridge

미터는 설치환경이 좋지 않을 경우 외부 실리카겔 카드리지를 설치할 수 있습니다. 카드리지를 교환하기 위해서는 설치된 카드리지를 풀고 새 카드리지의 보호캡을 제거한 후 설치하면 됩니다.

4.4 Flow limiters

과유량이나 압력펄스를 방지하기 위한 장치로 Flow limiter를 권고한다.

5 시작 (Start-up)

5.1 일반

Start up의 순서는 설치환경에 달려있습니다.

미터에 가압을 하기전에, 윤활유를 주입해야 합니다. 가압은 매우 천천히 해야 합니다. 압력의 변화는 초당 0.3bar/5P.S.I를 넘어서는 안됩니다.

Start up후 누설 검사를 해주세요.

레지스터의 움직임과 움직이는 동안의 압력손실을 확인함으로써 미터의 설치와 작동이 제대로 되었는지 점검할 수 있습니다.

5.2 By-pass와 같이 설치할 경우: 첨부 5을 참고하세요.

START-UP:

모든 밸브가 잠긴 것을 확인합니다.

- 후단의 가압을 위해 by-pass를 천천히 여세요.
- 후단압력이 알맞게 조절되었을때, 전단밸브 V1을 여세요. 압력변화는 초당 0.3bar를 넘어서는 안됩니다.
- 미터에 압력이 알맞게 조절되었을때, 주배관 밸브를 천천히 여시고 V1을 닫으세요.
- 천천히 후단 밸브를 여시고 미터의 레지스터를 확인하세요.
- 천천히 by-pass의 밸브를 닫고, 유량이 미터의 용량을 초과 하지 않는 것을 확인하세요.

차단:

- 천천히 by-pass 밸브를 여시고 미터의 전단과 후단 밸브를 닫으세요.
- 작은 bleeder 밸브 V2를 조심해서 여시고 미터의 압력을 빼세요. 압력변화는 초당 0.3bar를 넘어서는 안됩니다. .
- 배관의 가스가 남아있을 수 있으니 충분한 환기가 필요합니다.

5.3 By-pass 없는 설치: 첨부6을 참고하세요.

START-UP:

모든 밸브가 잠긴 것을 확인합니다.

- 미터에 가압을 위해서 전단밸브를 조금 여세요. 압력 변화는 초당 0.3bar를 넘어서는 안됩니다. 압력이 알맞게 조절된 후 전단밸브를 완전히 엽니다.
- 후단 밸브를 조금엽니다. 밸브는 조금연 상태로 유지되어야 합니다.:
 - 미터라인의 전단 압력.
 - 후단 가압 중 낮은 유량 유지 (대략5% Qmax).

후단 압력이 알맞게 조절된 후, 후단 밸브는 완전히 열릴 수 있습니다.

차단:

- 후단 밸브를 매우 천천히 닫고 미터가 더 이상 적산을 하지 않는 것을 확인 합니다.
- 전단 밸브를 닫습니다.
- 작은 bleed valve V2를 천천히 엽니다. 압력변화는 초당 0.3bar를 넘어서는 안됩니다. .

- 배관의 가스가 남아있을 수 있으니 충분한 환기가 필요합니다.

5.4 압력조정기 후단에 미터가 설치된 경우

설치는 압력조정기의 매뉴얼에 따라 설치되어야 합니다. 가압과 감압과정 중, 압력변화는 초당 0.3bar를 넘어서는 안됩니다.

6 유지보수

6.1 미터의 유지보수

일단 설치가 되면, 커버에 넣은 윤활유의 변화를 일정 기간에 한번씩 확인해 주는 것 외에는 별도의 관리가 필요없습니다.

Start-up 후:

천연가스: 서비스 조건에 따라, 윤활유 레벨을 반드시 확인해야 합니다.

기타 가스: 시운전후 100시간의 작동 후, 윤활유 레벨을 반드시 확인해야 합니다.

만일 윤활유 레벨이 눈에 띄게 낮거나, 윤활유가 유화되었거나, 윤활유와 가스간에 화학적 반응이 있다면, 윤활유는 재검토되고 알맞은 조건의 것으로 교체되어야 합니다.

윤활유의 교체시기:

윤활유의 점검 및 교체주기는 운영 조건에 달려 있습니다. (압력변화, 유량.....).

천연가스: 일반적인 환경하에, 윤활유는 5~8년 마다 교체하여야 한다. 만일 미터가 매우 깨끗한 가스에서 사용된다면 기간은 연장될 수 있습니다.

기타 가스: 저희에게 문의해 주세요.

미터의 청소하기 위해서는 솔벤트와 알코올이 없는 제품을 사용해 주세요.

수리는 자격이 있는 사람에 의해 이루어져야 하며 최대압력의 1.1배의 압력으로 기밀검사를 시행하여야 합니다.

만일 수분이 있는 가스에 사용할 경우, 내부와 외부의 부식이 주기적으로 검사되어야 합니다. 만일 심한 부식이 보일 경우 미터를 교체해야 합니다.

Spare parts: 가압이 되는 부품을 교체할 경우 해당 spare part가 PED에 적합한 제품인지 확인 합니다.

6.2 옵션장비의 유지보수

6.2.1 저주파와 고주파 트랜스미터

이 장비들은 별다른 유지보수를 필요로하지 않습니다. 트랜스미터의 기능은 전자index와 기계식 index를 비교함으로써 확인할 수 있습니다.

6.2.2 Filter

만일 압력손실의 증가가 감지되면 필터는 반드시 확인되어야 하며 미터의 유지보수전에 청소나 교체가 되어야 합니다.

1	Jellemzők	55
2	Csomagolás	55
	2.1 Tárolás	55
	2.2 Kezelés.	55
3	Telepítés	55
	3.1 Általános	55
	3.2 Szűrés	56
	3.3 Kenés	56
	3.3.1 Általános	56
	3.3.2 A kenőanyag kiválasztása	56
	3.3.3 Olaj feltöltési és leeresztési folyamat	56
4	Tartozékok	56
	4.1 Villamos tartozékok	56
	4.1.1 Alacsony frekvenciás jeladó (standard felszereltség).	56
	4.1.2 Manipuláció gátló	57
	4.1.3 Cyble szenzor.	57
	4.1.4 Közép és magas frekvenciás jeladó (opcionális felszereltség)	57
	4.2 Lapszűrő.	57
	4.3 Külső szárítópatron	57
	4.4 Áramlás Határoló	57
5	Indítás.	57
	5.1 Általános	57
	5.2 Telepítés áthidalóval	57
	5.3 Telepítés áthidaló nélkül.	57
	5.4 A szabályozó után elhelyezett mérőórák.	58
6	Karbantartás	58
	6.1 A mérőóra karbantartása	58
	6.2 Az opcionális felszerelések karbantartása	58
	6.2.1 LF és HF transzmitterek.	58
	6.2.2 Szűrők	58
7	Melléklet	64

Jól őrizze meg ezt az útmutatót minden felhasználó számára könnyen elérhető helyen.

Kérje a gyártó írásos engedélyét minden olyan esethez, melyeket jelen kézikönyv nem ír le. Kérjük, tartsa be a gázmérőórák telepítésére, üzemeltetésére és szervizelésére vonatkozó nemzeti jogszabályokat.

Minden jóváhagyás csak addig érvényes, amíg a készüléken nem történik jelentős szerkezeti változtatás.

1 Jellemzők

A Delta mérőórákat az EN437 szerint meghatározott 1-es, 2-es és 3-as gázcsoportokba tartozó gázok és számos további szűrt és nem éghető és nem gáz mérésére tervezték.

2 Csomagolás

- A mérőóra – a méret vagy verzió függvényében – az alábbiakban kerül kiszállításra:
- Kartondobozban, melyben kartonbetétek vagy a poli-etilén ékek nyújtanak védelmet.

Fa raklapon, melyet kartonlap véd.

A csomagolás tartalmazza a töltő kenőanyagot, a telepített jeladók csatlakozóit és ezt a kezelési kézikönyvet.

2.1 Tárolás

Ha a mérőórákat nem használják belátható időn belül, azt tiszta és száraz környezetben, letakarva kell tárolni, vízszintes helyzetben.

A bevezető és kivezető csövekre rögzített sapkáknak a telepítésig a helyükön kell maradniuk.

2.2 Kezelés

A mérőóra fedelei kiszállításkor nem tartalmaznak kenőanyagot. A szállítás vagy kezelés előtt győződjön meg arról, hogy a kenőanyagokat alaposan eltávolították az elülső és a hátsó fedelekről, elkerülve annak a mérőkamrába való bejutását. A mérőórákat csak a fő készülékház körül elvezetett vagy a nyílásokba helyezett hevederekkel szabad megemelni.

3 Telepítés

3.1 Általános

A Delta mérőóra volumetrikus elvének köszönhetően annak metrológiáját a telepítési körülmények nem befolyásolják. Azonban a következő szabályok betartásával biztosítható a Delta mérőóra legjobb használata:

Javasolt telepítés: Lásd a 1. mellékletet

- A gázmérőt úgy tervezték, hogy ATEX 0 zónába telepíthető legyen, azonban a csőhálózaton a mérőszakaszon belül csak nem gyúlékony gázösszetétel jelenléte megengedett. Ez az ATEX előírásoknak megfelelően inertizálást tesz szükségessé az éghető gázokkal törté-

nő első használat előtt és ugyanez vonatkozik az újbóli üzembe helyezésre is.

- A csővezetékbe történő beépítés előtt befúvással ellenőrizze a dugattyúk könnyű forgását!
 - ATEX 0 zónában történő használat esetén az alumínium kivitelű Delta gázmérőket megfelelő beépítéssel védeni kell a rozsdás acél alkatrészek sűrűlódásától vagy ütődésétől, hogy megakadályozzuk a begyulladás kialakulását!
 - Ellenőrizze szemrevételezéssel, hogy a mérőóra nem károsodott-e a szállítás során.
 - Telepített mérőóra esetén nem engedélyezettek hegesztési munkálatok.
 - A mérőórákat úgy kell telepíteni, hogy a lapátkerekek vízszintesen helyezkedjenek el. Engedélyezett eltérés: $\pm 5^\circ$.
 - Soha ne telepítse a mérőórákat a csővezet alsó pontján, ahol a mérőóránál víz vagy szennyeződés gyűlhet össze.
 - Ha teflonszalagot használ a menetes csatlakozások rászorításához, akkor különös figyelmet kell fordítani arra, hogy elkerülje a szalag bejutását a mérőkamrába.
 - A gázmérőórákat a csőrendszerre kifejtett erőteljes hatás nélkül szerelje fel. A peremeknek pontosan kell illeszkedniük.
 - A mérőt védőföldeléssel ellátott rendszerben szabad telepíteni
 - UNC csavarmenetes peremeken a menetek NEM metrikusan, hanem hüvelykben kerülnek megadásra az ANSI/ASME B1.1 - 1989 szerint.
A metrikus menetek és a hüvelykben megadott menetek nem kompatibilisek egymással!
 - Kérjük, a csavarokat egymással szemben, váltakozva szorítsa meg.
 - A rugalmas csatolások a feszítéstől mentes telepítés biztosítására használhatók.
 - A mérőóra előtt elhelyezett szűrő használata javasolt olyan gázok esetén, amelyek magas szemcsetartalommal rendelkeznek. Lásd a 3.2 pontot.
- A telepítés megkezdése előtt:
- A mérőóra előtti csővezet legyen portól és szennyeződéstől mentes.
 - Távolítsa el a védősapkákat.
 - Győződjön meg arról, hogy a gázáramlás iránya megfelel a mérőóra készülékházán látható nyílak irányának.
 - Ellenőrizze, hogy a lapátkerekek képesek-e szabadon forogni.
 - A mérőműszerre szerelhető tartozékok nem befolyásolhatják a korrózióvédelmet
 - A mérőműszer felszerelésekor az 1. függelékben található táblázat szerinti maximális nyomatékot kell figyelembe venni. Az olyan mérők esetében, ahol az ajánlott nyomaték 100 Nm, először minden csavart 70 Nm-re húzza meg, mielőtt 100 Nm-re meghúzza. Minden egyes rögzítési lépésnek keresztben kell történnie a karimán.

3.2 Szűrés

A forgódugattyús gázmérők jobban működnek, ha nem találhatók szemcsék a gázban. Ezért javasolt a mérőóra előtti szakaszokon szűrni a gázt. A javasolt szűrési szint 100 µm, vagy afeletti.

Míg a mérőóra üzemben van, időszakonként ellenőrizni kell a szűrő tisztaságát, különösen új telepítések esetén vagy akkor, ha munkákat végeztek a beérkező csövezeti szakaszokon.

Ha a telepítés során az áramlás iránya letről felfelé haladó, úgy különös figyelmet kell szentelni a szűrési körülményeknek, elkerülendő, hogy a mérőóra alatti területen felgyülemelő por visszajuthasson a mérőórába. Ehhez például egy második mérőóra telepíthető a mérőóra alá.

3.3 Kenés

3.3.1 Általános

Az üzemeltetési feltételeknek megfelelő kenőanyagot válasszon. Ennek a kenőanyagoknak semlegesnek és nem-detergens tartalmúnak kell lennie. Fontos:

- A kenőanyag hiányában a mérőóra idő előtt használódik el.
- Kenőanyag túlzott mértékű használata szintén problémákat okozhat. A kenőanyag felesleg szennyezheti a mérőkamrát, csökkentheti a metrológiát és károsodásokat okozhat a csapágyakon és a lapátkerekeken, a kenőanyagok és a gázban található kisebb szennyeződések keveredésének következtében.
- Mindig távolítsa el a felesleges kenőolajat a lezáró borításról a mérőóra mozgatása előtt.

3.3.2 Kenőanyag választása

Viszkózitás: A viszkózitás a mérőóra mechanikai és metrológiai teljesítményének biztosítása érdekében került kiszámításra.

Kereskedelmi referenciák: A 2. számú melléklet az ipari gázokhoz használható, kereskedelmi forgalomban kapható kenőanyagok listáját tartalmazza, kivéve az olyan gázokat, mint az oxigén vagy a halogének. Más gázokkal kapcsolatban kérjük, vegye fel velünk a kapcsolatot.

3.3.3 Betöltési és elvezetési folyamat


A betöltő és leeresztő dugók és a betekintőablak helyzetéről lásd az 3. mellékletet.

A betöltési és leeresztési műveleteket úgy végezze, hogy a mérőóra a csövezetekre

legyen telepítve, de az ne álljon nyomás alatt, noha Pete's Plug-dugók használatával a kenőanyag szintek „pótolhatók”, amíg a mérőóra nyomás alatt áll (legfeljebb 20 bar értékig). Lásd a 7. mellékletet

Mind az elülső, mind a hátsó fedelet fel kell tölteni kenőanyaggal, kivéve a Delta Compact, SE, Evo és S1-Flow mékek esetén, melyeknél csak az elülső fedelet kell feltölteni.

Az olajsint beállítása:

Általános eset: A szint akkor megfelelő, ha az áthalad a legalsó nézet  közepén.

Acéltetes mérőórák: A kenőanyagot addig kell betölteni, míg az az „L” szintjelző pontig nem ér.

- DN50 S1-Flow: Csak az elülső fedelet kell olajjal feltölteni. 4 darab „F” vagy „D” dugó érhető el a fedél feltöltéséhez vagy a kenőanyag leeresztéséhez. Az alacsonyabbat kell a leeresztéshez használni. A mérőóra irányának függvényében az „L1” vagy „L2” szintjelző pontok egyikét kell az olajsint beállításához használni, azaz azt ki kell csavarozni a betöltés előtt. A kenőanyagot az „F” jelölésnél kell betölteni, amíg az az „L” szintjelző ponton ki nem kezd folyni. Csak a legalsó szintjelzőpont használható az olajsint beállításához.

4 Tartozékok

4.1 Villamos tartozékok

Megjegyzések a mérőóra potenciálisan veszélyes területeken történő használatáról (ATEX):

- A impulzus jeladókat belső biztonsági körökre kell csatlakoztatni.
- Csak a mérőóra fejét tisztítsák meg átitatott törlőkendővel.
- A szabadon álló alumínium alkatrészeket megfelelően kell védeni (festék, lakk stb. használatával), amennyiben a környezetben rozsdarétegek képződhetnek a porból.
- A mérőóra teljes telepítését villámcsapás veszélye tekintetében is át kell gondolni.
- A mérőóra helyszíni telepítéséhez, eltávolításához vagy javításához használt szerszámoknak meg kell felelniük a veszélyes területeken való használatnak, szem előtt tartva, hogy a veszélyes területek besorolása a mérőóra cseréje során eltérhet a mérőóra normál működési körülményeitől.
- A mérőórát nem szabad kitenni nyílt lángnak, ionizáló sugárzásnak, ultrahangnak vagy erős elektromágneses mezőknek.
- Figyelembe kell venni a környezeti hőmérsékleti feltételeket, ideértve az eszköz közvetlen közelében található egyéb eszközök által okozott lehetséges hőhatásokat.

4.1.1 Alacsony frekvenciás jeladók (standard felszereltség)

A mérőóra normál esetben kettős LF impulzus kimeneti jeladóval kerül kiszállításra. Az LF egy száraz REED-kapcsoló és normál esetben nyitott. A csatlakoztatási információért lásd a mérőóra típusabláját és a 4 sz. mellékletet. Je třeba vzít v úvahu vzdálenost, průchodnost a dielektrickou pevnost.

4.1.2 Manipuláció gátló

A mérőóra standard kiszerelésben manipuláció gátló kapcsolóval kerül kiszállításra. Ez egy száraz REED-kapcsoló és normál esetben zárt. A csatlakoztatással kapcsolatos részletekért lásd a mérőóra típustábláját.

4.1.3 Cyble szenzor

Cyble szenzor bármikor telepíthető a számlálószerkezetre, erről lásd a 4. mellékletet. A Cyble szenzor egy ugrásmentes indukciós jeladó. Lehetővé teszi esetleges visszarámlások számlálását is.

4.1.4 Közepes és magas frekvenciás jeladó (opcionális felszereltség)

A mérőóra szállítható közepes vagy magas frekvenciájú jeladókkal. A szenzorok induktívak és a csatlakozás egy NAMUR típusú bemeneti áramkörhöz kerültek kialakításra (EN 60947-5-6).

4.2 Lapszűrő

A lapszűrő közvetlenül a peremes mérőórák előtt helyezhető el, a standard tömítés helyén: védelmet nyújt a felső szakasz csöveiben maradó szennyeződésektől. Kb. 4-8 hét működés után javasoljuk eltávolítását.

4.3 Külső szárítópatron

A mérőóra külső szilikagél patronnal szerelhető fel zord környezeti feltételek melletti telepítéshez. A patron cseréjéhez csavarozza ki a régi patron, távolítsa el a védődugót az új patronról és csavarozza azt a számláló műszerre.

4.4 Áramlás Határoló

Áramláshatárolók használata ajánlott nem ideális telepítések esetén, hogy a mérőt a lehetséges túlnyomások és nyomásimpulzusok ellen megvédje.

5 Indítás

5.1 Általános

Az indítási folyamat mindig a telepítési konfiguráció függvénye.

A mérőóra nyomás alá helyezése előtt el kell végezni a kenési folyamatot. A nyomás alá helyezést és nyomásmentesítést nagyon alacsony nyomásváltozással kell elvégezni. A nyomásváltozás ne legyen nagyobb másodpercenként 0,3 bar/ 5 P.S.I. értéknél.

Az indítás után ellenőrizték a telepítés tömítettségét.

A mérőóra megfelelő telepítése és működése a számlálószerkezeten vizuálisan ellenőrizhető, ill. úgy, hogy megmérjük a nyomásvesztést. A Pete's Plug-dugaszok használatával ezen nyomásvesztés mérhető, míg a mérőóra nyomás alatt van (akár 20 bar értékig).

5.2 Telepítés áthidalóval:

Lásd a 5. mellékletet

INDÍTÁS:

Kezdéskor az összes szelep legyen zárva.

- Lassan nyissa fel az áthidaló szelepeket az alsó csövezet nyomás alá helyezéséhez.
- Ha a nyomás az alsó szakaszon kiegyenlítődt, lassan nyissa meg a kis V1 szelepet is a felső szakaszon. A nyomáseltérés nem haladhatja meg a másodpercenkénti 0,3 bar értéket.
- Ha a nyomás kiegyenlítődt a mérőórában, lassan nyissa ki a felső szakasz szelepét, majd zárja le a V1 szelepet.
- Lassan nyissa ki az alsó szakasz szelepét és ellenőrizze, hogy a mérőóra megkezd-e az áram mérését.
- Fokozatosan zárja le az áthidaló szelepet. Ellenőrizze, hogy az áramlási sebesség nem haladja-e meg a mérőóra kapacitását.

LEKAPCSOLÁS:

- Lassan nyissa ki a áthidaló szelepet, majd zárja le a felső szakasz és alsó szakasz szelepeket a mérőóra vonalán.
- Óvatosan nyissa ki a kis V2 kieresztő szelepet és nyomásmentesítse a mérőórát. A nyomáseltérés nem haladhatja meg a másodpercenkénti 0,3 bar értéket.
- Valamennyi gáz még jelen lehet a mérőórában, ezért szükséges a megfelelő szellőzés biztosítása.

5.3 Telepítés áthidaló nélkül:

Lásd a 6. mellékletet

INDÍTÁS:

Kezdéskor az összes szelep legyen zárva.

- Finoman nyissa ki a felső szakasz szelepét a mérőóra vonalának nyomás alá helyezéséhez. A nyomáseltérés nem haladhatja meg a másodpercenkénti 0,3 bar értéket. Ha a nyomás kiegyenlítődt, nyissa ki teljesen a felső szakasz szelepét.
 - Lassan nyissa ki az alsó szakasz szelepét. A szelepet kitértekben kell kinyitni az alábbiak fenntartásához:
 - A felső szakasz nyomása a mérőóra vonalában.
 - Az áramlási sebesség a mérőórában az alsó szakasz nyomás alá helyezése során (kb. 5% Qmax).
- Ha az alsó szakasz nyomása kiegyenlítésre került, az alsó szakasz szelepe teljesen kinyitható.

LEKAPCSOLÁS:

- Nagyon lassan zárja le az alsó szakasz szelepét és ellenőrizze, hogy a mérőóra már nem végez méréseket.
- Zárja le a felső szakasz szelepét.
- Lassan nyissa ki a kis V2 kieresztő szelepet. A nyomáseltérés nem haladhatja meg a másodpercenkénti 0,3 bar értéket.
- Valamennyi gáz még jelen lehet a mérőórában, így megfelelő szellőzés biztosítása szükséges.

5.4 A szabályozó után elhelyezett mérőórák

A telepítést az adott szabályzó műszaki kézikönyvének megfelelően kell kialakítani. A nyomás alá helyezés és nyomásmentesítés során győződjenek meg arról, hogy a nyomáseltérés nem haladja meg a másodpercenkénti 0,3 bar értéket.

6 Karbantartás

6.1 A mérőóra karbantartása

A telepítés után a mérőóra nem igényel különösebb figyelmet, kivéve a fedélben lévő kenőanyag időszakos felügyeletét és cseréjét.

Az indítás után:

Földgáz: Az előzetes szolgáltatási feltételek szerint a kenőanyag szintjét ellenőrizni kell.

Más gázok: Az üzembe helyezéstől számított 100 óras üzem után a kenőanyag szintjét ellenőrizni kell.

Ha a kenőanyag szintje láthatóan alacsony, ha a kenőanyag emulgeálódott vagy más vegyi reakció történt a kenőanyag és a gáz között, úgy a kenőanyagot cserélni kell az uralkodó körülményeknek megfelelően.

A kenőanyag időszakos cseréje:

A kenőanyag ellenőrzései és cseréi közötti időszak hossza a működési körülmények függvénye (nyomásváltozások, áramlási arány stb.).

Földgáz: Normál körülmények között a kenőanyagot 5-8 évente kell cserélni. Ha a mérőórát rendkívül tiszta gázzal használják, úgy ezen időszak növelhető.

Más gázok: Kérjük, konzultáljon cégünkkel.

A mérőóra tisztításához oldószerektől és alkoholtól mentes szerek használhatók.

A javításokat kizárólag képzett személyzet végezheti. Ezután tömítettségi tesztet kell végezni $1.1 \times PS$ (P_{max}) értékkel.

Ha nedves gázokat használnak, úgy a korrózió külső hatásait rendszeresen kell ellenőrizni. Súlyos korrózió észlelése esetén a mérőórát cserélni kell.

Tartozékok:

Ha nyomástartó alkatrészeket cserélnek, győződjenek meg arról, hogy a tartozékok megfelelnek a PED előírásainak.

6.2 Az opcionális felszerelések karbantartása

6.2.1 LF és HF jeladók

Ezen jeladók nem igényelnek különleges karbantartást. A jeladók működése az elektronikai index és a mérőóra index összehasonlításával ellenőrizhető.

6.2.2 Szűrők

Ha a nyomásvesztés növekedését észlelik, a szűrőt ellenőrizni kell és azt meg kell tisztítani/cserélni, mielőtt megkezdene a mérőóra karbantartását.

1	Vlastnosti	60
2	Balení	60
	2.1 Skladování	60
	2.2 Manipulace	60
3	Instalace	60
	3.1 Obecné	60
	3.2 Filtrace	60
	3.3 Mazání	61
	3.3.1 Obecné	61
	3.3.2 Výběr maziva	61
	3.3.3 Postup plnění a vyprazdňování	61
4	Příslušenství	61
	4.1 Elektrické příslušenství	61
	4.1.1 Nízkofrekvenční vysílač (dodávaný standardně)	61
	4.1.2 Ochrana proti neoprávněné manipulaci	61
	4.1.3 Snímač Cyble	61
	4.1.4 Středně- a vysokofrekvenční vysílače	61
	4.2 Filtr s těsněním	61
	4.3 Externí vysoušecí kazeta	62
	4.4 Omezovače průtoku	62
5	Spuštění	62
	5.1 Obecné	62
	5.2 Instalace s obtokem	62
	5.3 Instalace bez obtoku	62
	5.4 Plynoměry umístěné za regulátorem	62
6	Údržba	63
	6.1 Údržba plynoměru	63
	6.2 Údržba volitelného příslušenství	63
	6.2.1 NF a VF vysílače	63
	6.2.2 Filtr	63
7	Příloha	64

Tento návod uchovávejte vždy k dispozici všem uživatelům. Ve vše případech, které nejsou uvedeny v tomto návodu k použití, si vyžádejte písemný souhlas výrobce. Dodržujte prosím všechny vnitrostátní předpisy v oblasti instalace, provozování a servisu plynoměřů. Všechna schválení jsou platná pouze tehdy, pokud na zařízení nebudou provedeny žádné významné konstrukční změny.

1 Vlastnosti

Plynoměry Delta jsou určeny k měření plynů 1., 2. a 3. třídy podle normy ČSN EN 437 a dále celé řady filtrovaných, nehořlavých a nekorozivních plynů.

2 Balení

- Plynoměr se podle velikosti a verze dodává:
- V lepenkové krabici, chráněný lepenkovými vložkami nebo polyetylenovými klíny

Na dřevěné paletě chráněný lepenkovým krytem. Balení musí obsahovat plnicí mazivo, konektory pro instalované vysílače a tento návod k použití

2.1 Skladování

Pokud nebudete plynoměr ihned používat, skladujte jej zakrytý v čistém a suchém prostředí ve vodorovné poloze

Krytky ze vstupní a výstupní trubky odstraňte až před instalací

2.2 Manipulace

Plynoměr se dodává bez maziva v krytech. Před expedicí nebo manipulací zkontrolujte, že je mazivo z předního a zadního krytu řádně vypuštěné, aby nedošlo k vniknutí do měřicí komory. Plynoměry zvedejte pouze pomocí popruhu kolem hlavního těla nebo pomocí zvedacích ok

3 Instalace

3.1 Obecné

Vzhledem k objemovému principu plynoměru Delta jeho měření nijak neovlivňují podmínky instalace. Dodržování následujících pravidel však zajistí bezvadný provoz vašeho plynoměru Delta: Doporučený způsob instalace: Viz příloha 1

- Měřidlo je uzpůsobeno k instalaci v zóně ATEX 0. Přičemž uvnitř potrubní sítě jsou povoleny pouze nehořlavé složky plynu. To vyžaduje z důvodů ATEX inertizaci před prvním použitím se spalovacími plyny. Totéž platí pro opětovné uvedení do provozu.
- Před instalací do potrubí zkontrolujte snadnost pohybu pístů fouknutím.
- Při použití v zóně ATEX 0 musí být měřiče Delta v hliníkovém provedení chráněny před procesy tření nebo

nárazu nerezovými ocelovými součástmi, vhodnou instalací, aby se zabránilo vzniku vznícení.

- Vizuálně zkontrolujte, zda nedošlo během přepravy k poškození plynoměru
- S instalovaným plynoměrem je zakázáno svařování.
- Plynoměr instalujte tak, aby byla oběžná kola ve vodorovné poloze. Povolená odchylka: $\pm 5^\circ$.
- Plynoměr nikdy neinstalujte v nejnižším bodě potrubí, kde může docházet ke kumulaci vody
- nebo nečistot.
- Pokud se k utěsnění závitového spoje použije teflonová páska, věnujte maximální pozornost tomu, aby páska nepronikla do měřicí komory.
- Plynoměr instalujte tak, aby nedocházelo k namáhání potrubí. Příruby musí být správně vyrovnané.
- Plynoměr je třeba zohlednit v případném uzemňovacím systému.
- U přírub se závit UNC NEJSOU závity metrické, ale uvádí se v palcích podle normy ANSI/ASME B1.1 – 1989.
- Metrické závity a závity uváděné v palcích nejsou kompatibilní!
- Šrouby utahujte v protilehlých párech.
- K zajištění instalace bez namáhání lze použít pružnou spojku
- U plynu s vysokým obsahem částic se doporučuje před plynoměrem instalovat filtr. Viz bod 3.2.
- Před instalací:
- V potrubí před měřidlem nesmí být prach
- Odstraňte ochranné krytky
- Zkontrolujte, zda směr proudění plynu odpovídá šípce na těle plynoměru
- Zkontrolujte, zda se oběžná kola volně otáčejí
- Případné příslušenství namontované na měřiči nesmí narušit jeho ochranu proti korozi
- Při montáži měřiče je třeba zohlednit maximální krouticí moment podle tabulky v příloze 1. U měřičů, kde je doporučený utahovací moment 100 Nm, nejprve utáhněte všechny šrouby na 70 Nm a teprve potom na 100 Nm. Každý upevňovací krok musí být proveden křížem kolem příruby.

3.2 Filtrace

Rotační plynoměry fungují lépe, když v plynu nejsou žádné nečistoty. Proto doporučujeme před plynoměrem plyn filtrovat. Doporučujeme úroveň filtrace 100 μm nebo lepší. Během provozu plynoměru pravidelně kontrolujte čistotu filtru, zejména v případě nové instalace nebo po práci na přívodním potrubí.

U instalace se směrem proudění zdola nahoru je třeba věnovat zvýšenou pozornost podmínkám filtrace, aby nedocházelo k vracení prachu kumulovaného za plynoměrem zpět do plynoměru. Za plynoměr lze například instalovat druhý filtr.

3.3 Mazání

3.3.1 Obecné

Vyberte mazivo podle provozních podmínek. Mazivo musí být neutrální a bez smáčedel. Důležité:

- Nedostatek maziva může způsobit předčasné opotřebení plynoměru
- Přebytké množství maziva může rovněž způsobovat problémy. Přbytek maziva může
- znečistit měřicí komoru, zhoršit přesnost měření a způsobit poškození ložisek a oběžných kol působením směsi maziva a malých nečistot obsažených v plynu.
- Před přesunem plynoměru vždy vypusťte koncové kryty.

3.3.2 Výběr maziva

Viskozita: Viskozita byla vypočtena tak, aby zajistila mechanickou a metrologickou funkci plynoměru. Obchodní reference: V příloze 2 je uveden seznam komerčních maziv vodných pro průmyslové plyny s výjimkou

3.3.3 Postup plnění a vyprazdňování

Umístění plnicích zátek, vypouštěcích zátek a průzorů viz příloha 3. Plnění a vypouštění provádějte s plynoměrem instalovaným v potrubí, ale bez tlaku. Použití zátek Pete's Plug umožňuje „doplnění“ hladiny maziva, i když je plynoměr pod tlakem (až do 20 barů). Viz příloha 7.

Přední i zadní kryt se musí naplnit mazivem s výjimkou typů Delta Compact, SE, Evo a S1-Flow, u kterých stačí naplnit přední kryt. Nastavení hladiny oleje:



Obecně: Hladina je správná, pokud prochází středem nejnižšího průzoru.

Ocelové plynoměry: Mazivo musí při plnění vytéct vyrovnávacím bodem „L“.

- DN50 S1-Flow: Olejem se plní pouze přední kryt. K plnění nebo vypouštění krytu jsou k dispozici 4 zátky „F“ nebo „D“; k vypouštění se použije ta nejnižší. Podle orientace plynoměru se k nastavení hladiny oleje použije vyrovnávací bod „L1“ nebo „L2“, tj. před plněním se odšroubuje. Mazivo se plní otvorem „F“, dokud nevyteče vyrovnávacím bodem „L“. K vypouštění oleje se smí použít pouze nejnižší vyrovnávací bod.

4 Příslušenství

4.1 Elektrické příslušenství

Poznámky k použití plynoměru v potenciálně nebezpečných prostředích (ATEX):

- Vysílače impulzů musí být připojeny k jiskrovým bezpečnostním obvodům podle normy ČSN.
- Hlavu plynoměru čistěte pouze vlhkým hadrem.
- Všechny viditelné hliníkové části musí být vhodným způsobem chráněny (barvou, lakem atd.), pokud hrozí riziko koroze působením prachu v prostředí.

- Plynoměr musí být zohledněn v posouzení celého zařízení z hlediska rizika zásahu bleskem.
- Nástroje používané k montáži, demontáži nebo opravě plynoměru v lokalitě musí být vhodné pro použití v prostředí s nebezpečím výbuchu. Upozorňujeme, že klasifikace prostředí s nebezpečím výbuchu během výměny plynoměru se může lišit od klasifikace za normálního provozu plynoměru.
- Plynoměr nesmí přijít do styku s ohněm, ionizujícím zářením, ultrazvukem nebo silným elektromagnetickým polem.
- Je třeba přihlídnout k okolní teplotě včetně případných dalších tepelných účinků způsobených
- dalšími zařízeními v bezprostřední blízkosti.

4.1.1 Nízkofrekvenční vysílač (dodávaný standardně)

Plynoměr se běžně dodává s dvojitým nízkofrekvenčním pulzním vysílačem (NF). NF je normálně otevřený jazýčkový kontakt. Informace o zapojení naleznete na typovém štítku plynoměru a v příloze 4. Figyelembe kell venni a légtávolságot, a kúszótávolságot és a dielektromos szilárdságot!

4.1.2 Ochrana proti neoprávněné manipulaci

Plynoměr se standardně dodává se spínačem proti neoprávněné manipulaci. Jedná se o normálně uzavřený jazýčkový kontakt. Podrobnosti o zapojení naleznete na typovém štítku plynoměru.

4.1.3 Snímač Cyble

Snímač Cyble lze na počítadlo instalovat kdykoliv, viz příloha 4. Snímač Cyble je vysílač chráněný proti zákmitům. Umožňuje počítání případných zpětných toků.

4.1.4 Středně- a vysokofrekvenční vysílače

(dodávané volitelně)

Plynoměr může být dodán se středně- nebo vysokofrekvenčními vysílači. K dispozici jsou indukční snímače a připojení ke vstupnímu obvodu typu NAMUR (ČSN EN 60947-5-6)

4.2 Filtr s těsněním

„Filtr s těsněním“ lze nasadit přímo před přírubové plynoměry místo standardního těsnění: jedná se o ochranu proti nečistotám, které zůstávají v přívodním potrubí. Doporučujeme jej odstranit přibližně po 4 až 8 týdnech provozu.

4.3 Externí vysoušecí kazeta

Plynoměr může být vybaven externí silikagelovou kazetou, určenou k instalaci v náročných klimatických podmínkách. Pokud chcete patronu vyměnit, odšroubujte starou kazetu, odstraňte ochrannou zátku nové kazety a našroubujte ji na počítadlo.

4.4 Omezovače průtoku

Omezovače průtoku doporučujeme používat k ochraně plynoměru před přeplněním nebo tlakovými pulzami způsobenými nevhodným uspořádáním instalace.

5 Spuštění

5.1 Obecné

Postup spuštění vždy závisí na konfiguraci instalace.

Před natlakováním je nutné plynoměr namazat. Natlakování nebo snížení tlaku se provádí plynulou, velmi nízkou změnou tlaku. Změna tlaku nesmí překročit 0,3 baru/5 psi za sekundu.

Po spuštění proveďte kontrolu těsnosti instalace. Správnou instalaci a funkci plynoměru lze ověřit vizuální kontrolou počítadla (pro kontrolu správné funkce plynoměru) a změřením tlakové ztráty za provozu. Použití zátek Pete's Plug umožňuje měření tlakové ztráty, když je plynoměr pod tlakem (až 20 barů).

5.2 Instalace s obtokem:

Viz příloha 5

SPUŠTĚNÍ:

Začněte se všemi ventily zavřenými.

- Pomalu otevřete obtokový ventil a natlakujte výstupní potrubí.
- Když se tlak na výstupu vyrovná, pomalu otevřete malý přívodní ventil V1. Změna tlaku nesmí překročit 0,3 baru za sekundu.
- Když se tlak v plynoměru vyrovná, pomalu otevřete hlavní přívodní ventil a pak zavřete ventil V1.
- Pomalu otevřete výstupní ventil a zkontrolujte, zda plynoměr zaznamenává průtok.
- Postupně zavřete obtokový ventil. Zkontrolujte, zda průtok nepřekračuje kapacitu plynoměru.

VYPNUTÍ:

- Pomalu otevřete obtokový ventil a pak zavřete přívodní a výstupní ventil na potrubí plynoměru.
- Opatrně otevřete malý vypouštěcí ventil V2 a snižte tlak v plynoměru. Změna tlaku nesmí překročit 0,3 baru za sekundu.
- V plynoměru a potrubí stále zůstává nějaký plyn, proto je nezbytné dostatečné větrání.

5.3 Instalace bez obtoku:

Viz příloha 6

SPUŠTĚNÍ:

Začněte se všemi ventily zavřenými.

- Mírně otevřete přívodní ventil a natlakujte potrubí plynoměru. Rozdíl tlaku nesmí překročit 0,3 baru za sekundu. Když se tlak vyrovná, lze přívodní ventil otevřít úplně.
- Mírně otevřete výstupní ventil. Ventil se musí otevírat po menších krocích kvůli udržení:
 - Přívodního tlaku v potrubí plynoměru.
 - Nízkého průtoku v plynoměru během natlakování výstupní části (cca. 5 % Q_{max}).

Když se výstupní tlak vyrovná, lze výstupní ventil otevřít úplně.

VYPNUTÍ:

- Velmi pomalu zavřete výstupní ventil a zkontrolujte, zda plynoměr nezaznamenává průtok.
- Zavřete přívodní ventil.
- Pomalu otevřete malý vypustní ventil V2. Změna tlaku nesmí překročit 0,3 baru za sekundu.
- V plynoměru a potrubí stále zůstává nějaký plyn, proto je nezbytné dostatečné větrání.

5.4 Plynoměry umístěné za regulátorem

Instalace musí být provedena podle technické příručky konkrétního regulátoru. Během natlakování a snižování tlaku dbejte, aby rozdíl v tlaku nepřekročil 0,3 baru za sekundu.

6 Údržba

6.1 Údržba plynoměru

Po instalaci plynoměr nevyžaduje žádnou speciální údržbu kromě pravidelné kontroly a výměny maziva v krytech. Po spuštění:

Zemní plyn: Po uplynutí přípravné doby provozu zkontrolujte hladinu maziva. Ostatní plyny: Po uplynutí 100 provozních hodin od uvedení do provozu zkontrolujte hladinu maziva. Pokud je hladina maziva výrazně nižší, pokud dojde k emulgaci maziva nebo chemické reakci mezi mazivem a plynem, je třeba mazivo přehodnotit a vyměnit tak, aby odpovídalo převažujícím podmínkám. Pravidelná výměna maziva: Doba mezi kontrolami a výměnami maziva závisí na provozních podmínkách (kolísání tlaku, průtok).

Zemní plyn: Při běžných podmínkách se mazivo mění každých 5 až 8 let. Pokud se plynoměr používá s mimořádně čistým plynem, lze interval prodloužit. Ostatní plyny: Kontaktujte nás. K čištění plynoměru použijte přípravky bez rozpouštědel a alkoholu. Opravy smí provádět výhradně kvalifikovaný personál. Následně

musí být provedena tlaková zkouška při 1,1 x PS (Pmax).
Při použití s mokrým plynem je nutné pravidelně kontrolovat vliv vnitřní a vnější koroze. Při silné korozi se musí plynoměr vyměnit. Náhradní díly: Při výměně tlakových dílů dbejte, aby náhradní díly odpovídaly použitým PED.

6.2 Údržba volitelného příslušenství

6.2.1 NF a VF vysílače

Tyto vysílače nevyžadují žádnou zvláštní údržbu. Funkci vysílačů lze zkontrolovat porovnáním elektronického indexu s indexem plynoměru.

6.2.2 Filtr

Pokud se zvýší tlaková ztráta, před údržbou plynoměru zkontrolujte/vyměňte filtr.

Annex 0: Applied standards for use in explosion hazardous areas / Normes appliquées pour l'utilisation dans les zones à risque d'explosion / Angewandte Normen für den Einsatz in explosionsgefährdeten Bereichen / Standard applicati per l'utilizzo in aree a rischio di esplosione / Normas aplicadas para el uso en zonas con peligro de explosión / Padrões aplicados para uso em áreas com risco de explosão / Toegepaste normen voor gebruik in explosiegevaarlijke omgevingen / Patlama tehlikesi olan alanlarda kullanım için uygulanan standartlar / Standarde aplicate pentru utilizarea în zonele cu pericol de explozie / Robbanásveszélyes területeken történő használatra alkalmazott szabványok. / Použité normy pro použití v prostředí s nebezpečím výbuchu / 폭발 위험 지역에서의 사용을 위한 적용 표준

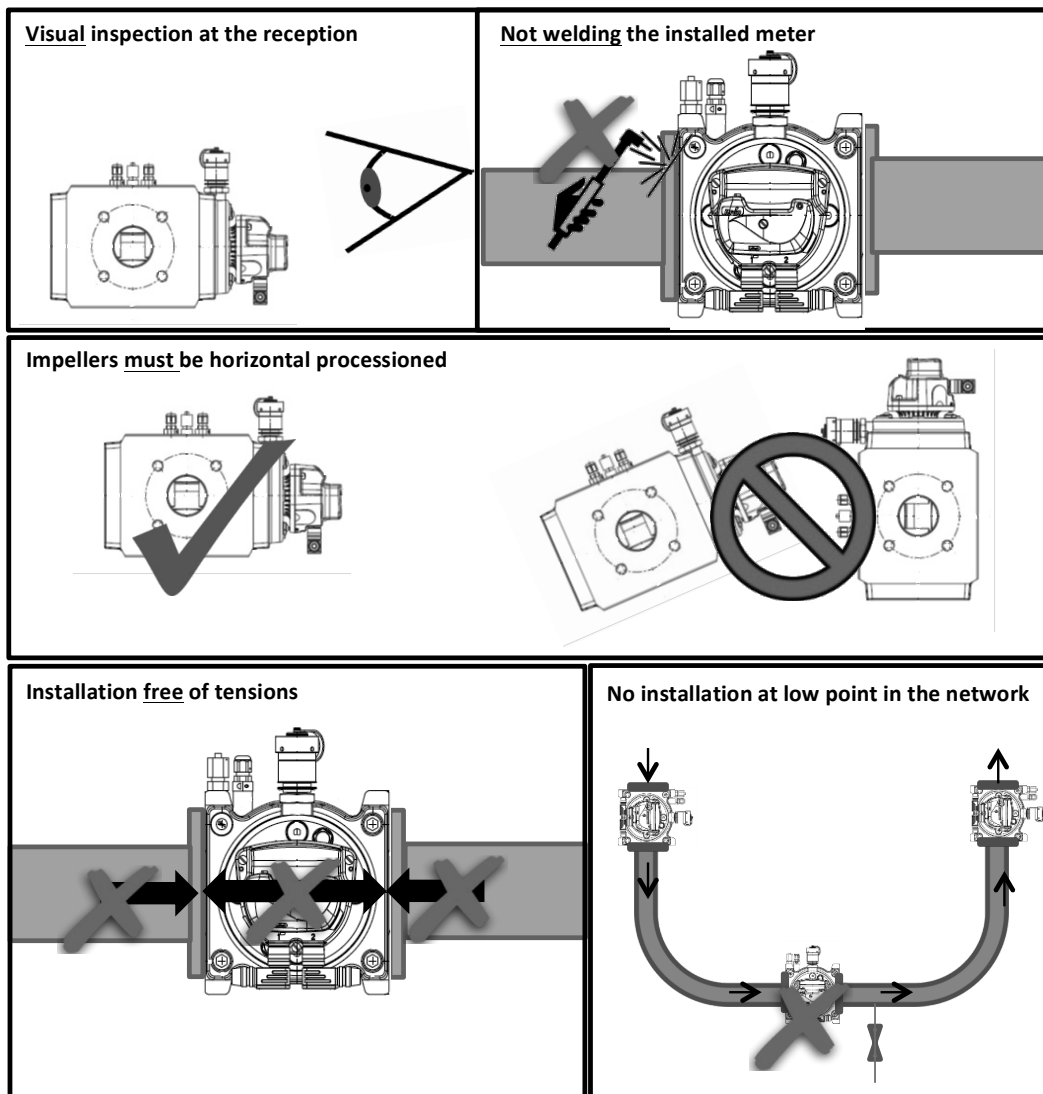
-EN IEC 60079-0:2018; IEC 60079-0 Edition 7; BS EN IEC 60079-0:2018

-EN 60079-11:2012; IEC 60079-11 Edition 6; BS EN 60079-11:2012

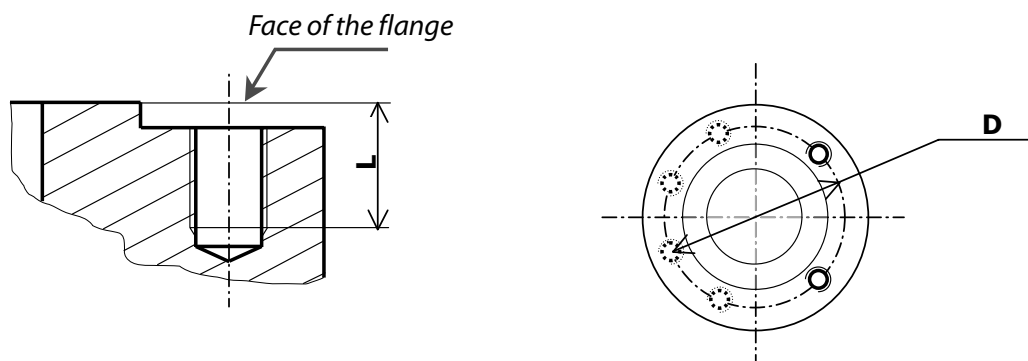
-EN ISO 80079-36:2016; ISO 80079-36 Edition 1; BS EN ISO 80079-36:2016

-EN ISO 80079-37:2016; ISO 80079 Edition 1; BS EN ISO 80079-37:2016

Annex 1: Recommended installation / Installation recommandée / Empfohlene Installation / Installazione raccomandata / Instalaciones recomendadas / Installatie voorschrift / Tavsiye edilen döşeme / Instalação Recomendada



Flange meters with holes threaded

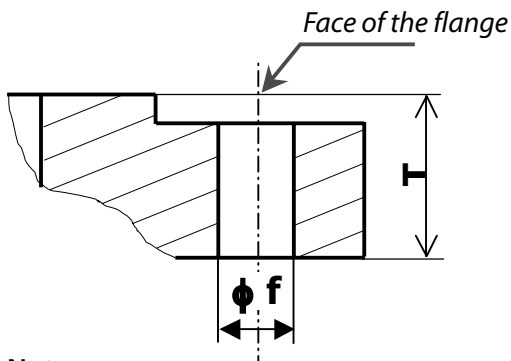


Flanges with holes with metric (M) screw thread								Maximum torque value (Nm)
DN	Flanging	Number of holes	Thread type	Diameter "D" (mm)	L (mm)			
					Alu	Ductile iron	Steel	
25	PN 10-16	4	M12	85	24	-	-	40
40	PN 10-16	4	M16	110	24	-	-	40
50	PN 10-16	4	M16	125	24	24	28	100
50	PN 25	4	M16	125	-	-	28	100
50	PN 40	4	M16	125	-	-	28	100
50	Class 300	8	M16	127	-	-	28	100
50	Class 600	8	M16	127	-	-	28	100
80	PN 10-16	8	M16	160	24	24	-	100
100	PN 10-16	8	M16	180	24	24	-	100

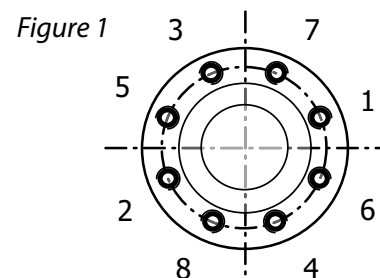
Flanges with holes with inch (UNC) screw thread								Maximum torque value (Nm)
DN	Flanging	Number of holes	Thread type	Diameter "D" (mm)	L (mm)			
					Alu	Ductile iron	Steel	
25	150(125)	4	1/2" UNC-2B	79,4	24	-	-	40
40	150(125)	4	1/2" UNC-2B	98,6	24	-	-	40
50	150(125)	4	5/8" UNC-2B	120,6	24	24	28	100
50	300	8	5/8" UNC-2B	127	-	-	28	100
50	600	8	5/8" UNC-2B	127	-	-	28	100
80	150(125)	4	5/8" UNC-2B	152,4	24	24	-	100
100	150(125)	8	5/8" UNC-2B	190,5	24	24	-	100

Flanged meters with holes **NOT** threaded

Meters DN150 G250 to G650 (S3-Flow) are available with flanged connections. Holes in the flanges are not threaded.



PN 10-16, Class 150				
DN	Number of holes	ø f	Diameter "D" (mm)	T
150	8	22,4	241	26



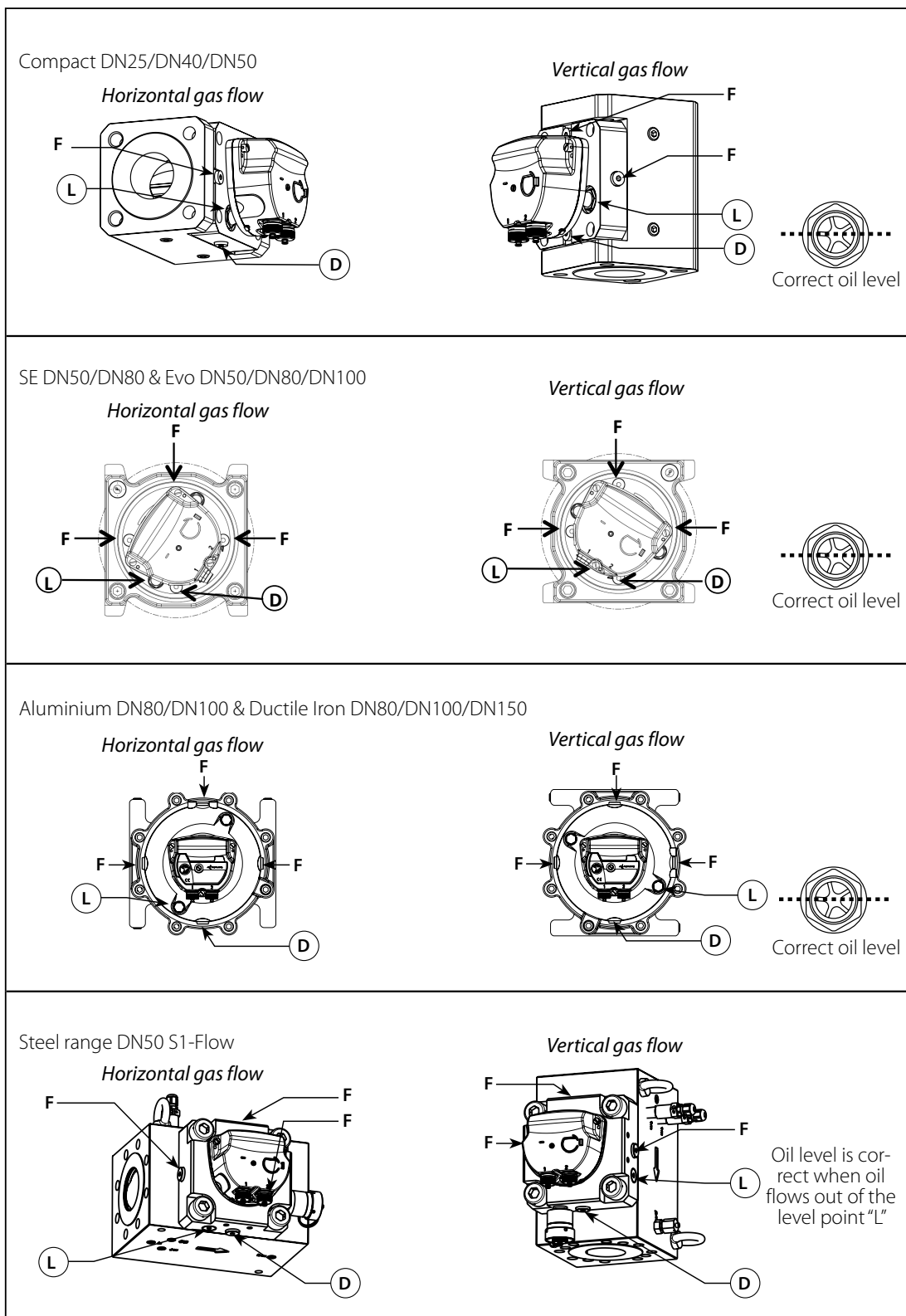
Notes

- Install all the screws and tight those smoothly before applying the tightening torque.
- Tight the screws in opposite pairs according the order of figure 1.

Annex 2: Commercial reference / Références commerciales / Kommerzielle Referenzen / Referenze commerciali / Marcas de Lubrificantes / Toepasbare oliesoorten / Ticari referanslar / Referências Comerciais

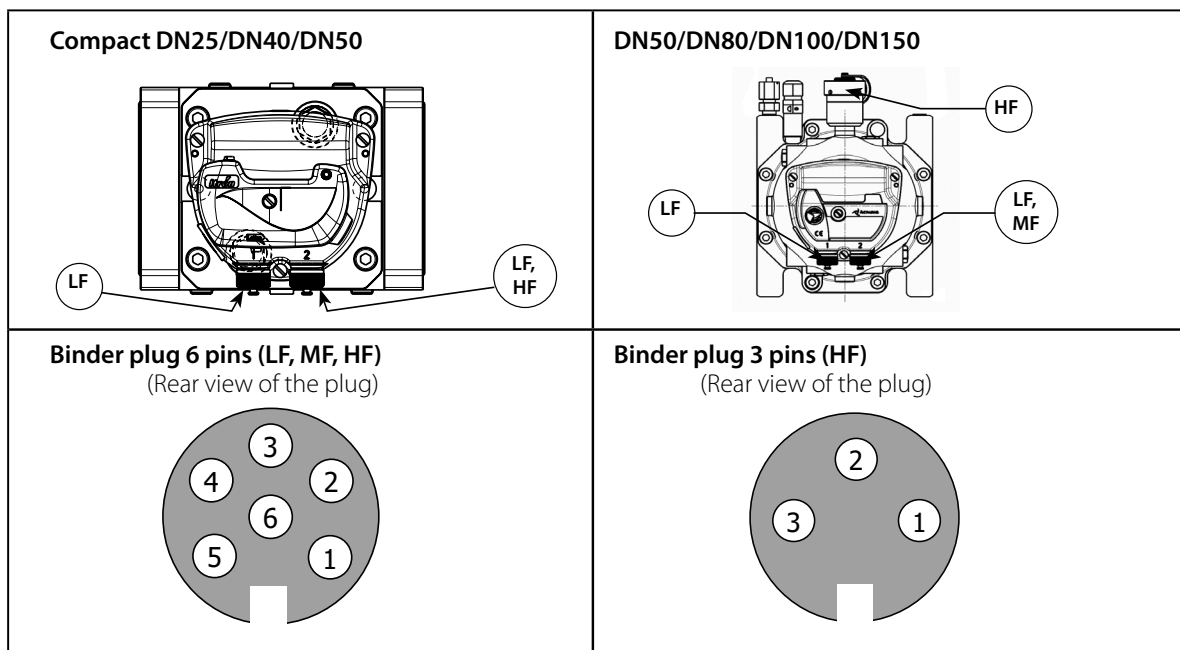
- Shell Tellus T15
- Oest V3136L (lubricant delivered with each meter, commercial name: Maxilub VG10)

Annex 3: Lubricant filling / Remplissage du lubrifiant / Schmiermittelbefüllung / Carica del lubrificante / Llenado del lubricante / Vulpluggen / Yağın doldurulması / Enchimento com lubrificante



F: Filling / Remplissage / Füllen / Riempimento / Relleno / Vullen / Doldurumu
 L: Level / Niveau / Pegel / Livello / Nivel / Niveau plug / Seviye
 D: Draining / Vidange / Ablassen / Svuotamento / Vaciar / Aftap / Drenaj

Annex 4: Transmitters / Emetteurs / Polung der Anschlüsse / Emettitori d'impulsi / Emisores / Connector aansluiting / Vericiler / Transmissores



For the Binder Plug 6 Pins dimensions, creepage distance and clearance constraint see document 652-099-8043

Unless on the nameplate noted the following electrical parameters shall be considered:

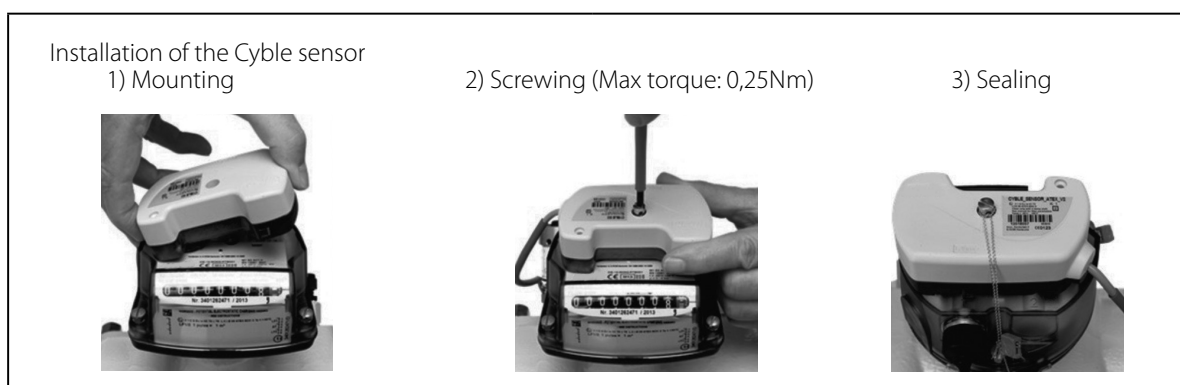
Characteristics	Low Frequency Transmitter (reed contact)		High & Medium Frequency Transmitter (inductive)
	For Non ATEX products	For ATEX products ** intrinsically safe circuits	For ATEX products *** intrinsically safe circuits
Power rating	Max. 10 W	Max. 120 mW	Max. 64 mW
Voltage (Break-down)	Max. 180 V dc	Max. 15 V dc	Max. 15 V dc
Current (Switching)	Max. 50 mA	Max. 50 mA	Max. 50 mA
Capacitance and Inductance	C=0F, L=0H	C=0F, L=0H	C=90nF, L = 250 µH
Operation temperature range	-30°C to +60°C	-30°C to +60°C	-30°C to +60°C

** Following recommend values Low Frequency Pulse Transmitters do not have any potential sources of ignition and shall be not marked according to directive 2014/34/EU.

The device is free to be used in ATEX area as it is a simple apparatus.

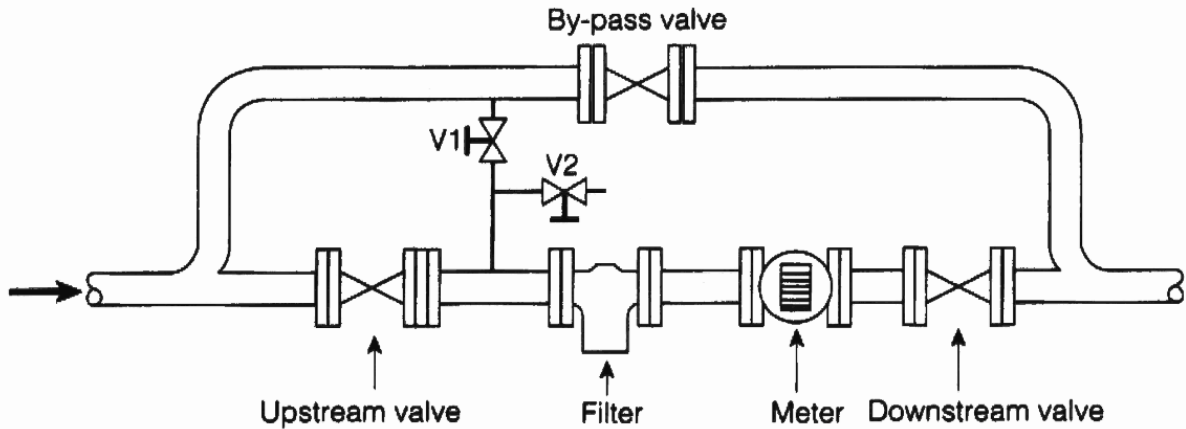
*** Proximity detectors conform to EN60947-5-6 (NAMUR) standard.

Characteristics	Low Frequency Transmitter (Cyble Module)
Contact power rating	Max. 1 W
Voltage (Break-down)	Max. 14.3 V dc
Current (Switching)	Max. 50 mA
Operation temperature range	-25°C to +55°C

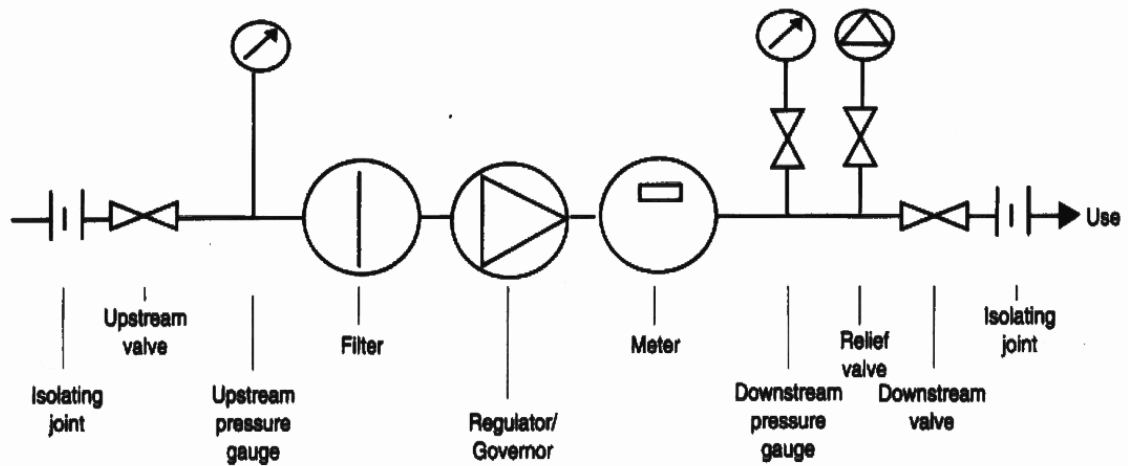


Note: For the plugging of the LF, HF and anti-tampering, please report to the name plate of the meter.

Annex 5: Installation with by pass / Installation avec bipasse / Installation mit Bypass / Installazione con by-pass / Instalación con by-pass / Installatie met by-pass / Baypas ile kurulum / Instalação com by-pass



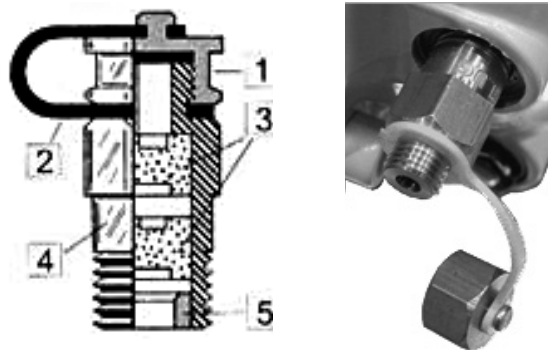
Annex 6: Installation without by pass / Installation sans bipasse / Installation ohne Bypass / Installazione senza by-pass / Instalación sin by-pass / Installatie zonder by-pass / Baypas'sız kurulum / Instalação sem by-pass



Annex 7: Pete's plug option / Option Pete's plug / Pete's Steckeroption / Opzione "Pete's Plug" / Pete's plug optie / Pete's plug opsiyonu / Opção do Pete's Plug

Cross section

- 1 - Cap and gasket
- 2 - Cap retaining strap
- 3 - Two self closing valves with interaction to speed valve closure
- 4 - Valve body
- 5 - Valve retainer



Dresser Utility Solutions GmbH

Hardeckstr. 2
76185 Karlsruhe
T: +49 (0)721 / 5981 - 100
info.karlsruhe@dresserutility.com



© 2024 Dresser Utility Solutions GmbH – All rights reserved. Dresser Utility Solutions reserves the right to make changes in specifications and features shown herein, or discontinue the product described at any time without notice or obligation. Contact your Dresser Utility Solutions representative for the most current information. The Dresser Logo and all Trademarks containing the term "Dresser" are the property of Dresser, LLC, a subsidiary of Baker Hughes. Actaris™ is a trademark owned by Itron, Inc. and used under license.