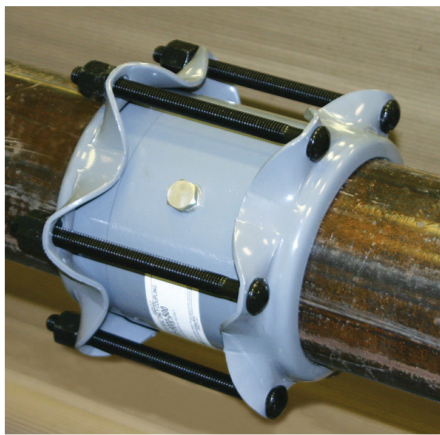


ABS Marine Couplings

Meets ABS Approval for Fire-Resistant Marine Couplings

Help safeguard the environment while protecting your investment!



- Pipe Sizes 2" thru 32"
- Fire-Rated @ 275 PSI
- Fire-resistance tested to 2008 ABS Rules (ISO 19921 and 19922 Specifications)

Upon extensive independent testing, Dresser ABS marine couplings met the 2008 rule changes and received approval by the American Bureau of Shipping for fire rated couplings in marine applications. Typical applications for the ABS approved coupling include above deck inert gas lines, cargo oil lines, bilge systems, fuel oil transfers, and lube oil transfer systems.

Each authentic Dresser approved coupling can be qualified to a working pressure of 275 PSI (19bar). Fire testing was successfully conducted to the stringent guidelines of ISO 19921 and 19922 requirements.

Dresser Pipeline Solutions has over 125 years experience manufacturing quality piping products and began supplying ABS approved couplings worldwide in 1942.



Dresser ABS couplings are qualified for above-deck marine piping applications offering working pressures up to 275 PSI (19bar).

Dresser couplings are widely used for marine piping systems for their ability to absorb vibration, expansion and contraction while providing leakproof dependability.

To prevent potential environmental incidents and help protect your investment, insist on using only authentic Dresser couplings for the quality and assurance you demand.

For further information please contact your Dresser Sales Representative, or call Dresser Pipeline Solutions Export Market at 814-362-9300.

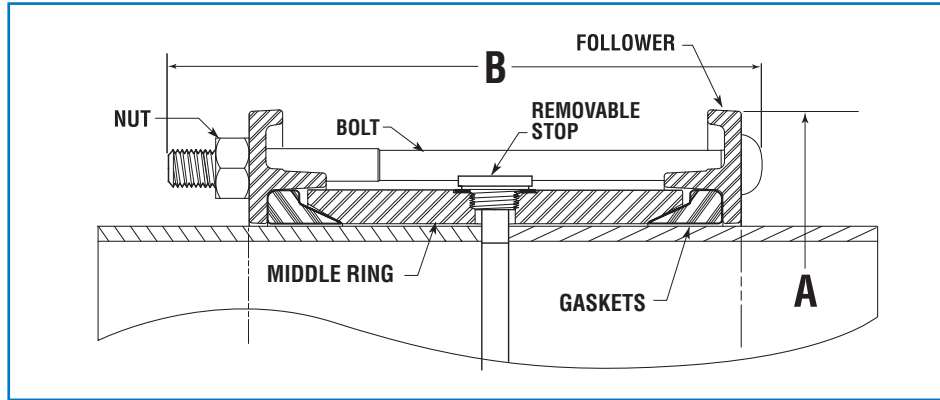
Visit us at www.dresserutility.com



Dresser couplings were subjected to a 30 minute fire test at 1472°F (800°C), in accordance with ABS Rules and meet ISO 19921 and ISO 19922 requirements.



ABS Marine Coupling Specifications



Dresser ABS Marine Coupling Specifications for Steel Pipe Sizes 2" thru 32"

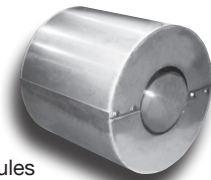
Pipe Nominal Size (In)	Outside Pipe Diameter (OD)	Middle Ring Thickness x Length	Bolts/Nuts (Quantity)	Removable Stops (Quantity)	Envelope Dimensions		Working* Pressure Lbs. per Sq.In.	Max. Test Pressure Lbs. per Sq.In.	Approx. Weight Shipping (Lbs.)		
					Diameter (A)	Length (B)					
2	2.375	1/2 x 7	3	1	6-1/4	9-1/2	300 PSI (21bar)	450 PSI (31bar)	20		
3	3.500	1/2 x 7	4	1	8	9-1/2			25		
4	4.500	1/2 x 7	4	1	9	9-1/2			30		
5	5.563	1/2 x 7	4	1	10-3/8	9-1/2			35		
6	6.625	1/2 x 7	6	1	11-1/4	9-1/2			40		
8	8.625	1/2 x 7	6	1	13-1/4	9-1/2			50		
10	10.750	1/2 x 7	8	2	14-5/8	9-1/2			↓	↓	60
12	12.750	1/2 x 7	8	2	16-3/4	9-1/2					75
14	14.000	1/2 x 7	14	2	18	11-5/8	100				
16	16.000	1/2 x 7	16	2	20	11-5/8	110				
18	18.000	1/2 x 7	16	3	22	11-5/8	125				
20	20.000	1/2 x 7	18	3	24	11-5/8	↓	↓	140		
22	22.000	1/2 x 7	20	3	26	11-5/8			150		
24	24.000	1/2 x 7	22	3	28	11-5/8			165		
26	26.000	1/2 x 7	24	3	30	11-5/8			180		
28	28.000	1/2 x 7	26	3	32	11-5/8			195		
30	30.000	1/2 x 7	26	3	34	11-5/8			205		
32	32.000	1/2 x 7	28	3	36	11-5/8			220		

ABS Coupling Materials of Construction**

Followers: A283, Gr C or Equivalent
 Middle Ring: AISI 1020 Carbon Steel or Equivalent
 Bolts/Nuts: ASTM A307/ASTM A563 or Equivalent
 Stops: 316 Stainless Steel
 Gaskets: Grade 42 Buna N (Others available upon request)
 Coating: Fusion-Bonded Epoxy as Standard

*Working Pressure up to 275 PSI (19bar) for Fire-Rated Couplings in above-deck applications; WP rated 300 PSI for regular Style 38 couplings for below-deck installations.

Dresser developed a lightweight, stainless steel shroud system specifically designed for fire protection on Dresser Style 38 coupled marine applications. Meets full compliance with ABS Rules for marine shipping vessels.



**Other design materials available for corrosive service conditions. Please contact your nearest Dresser Sales representative for details.

Dresser Pipeline Solutions

41 Fisher Avenue
 Bradford, PA 16701
 T: 814.362.9300
 F: 814.362.9344

© 2021 Natural Gas Solutions North America, LLC – All rights reserved. Natural Gas Solutions reserves the right to make changes in specifications and features shown herein, or discontinue the product described at any time without notice or obligation. Contact your Dresser Natural Gas Solutions representative for the most current information. The Dresser Logo and all Trademarks containing the term "Dresser" are the property of Dresser, LLC, a subsidiary of Baker Hughes.

DRESSER
 PIPELINE SOLUTIONS
www.dresserutility.com

NGS-DPS-018
 ABS.DATA.SHEET.3.21