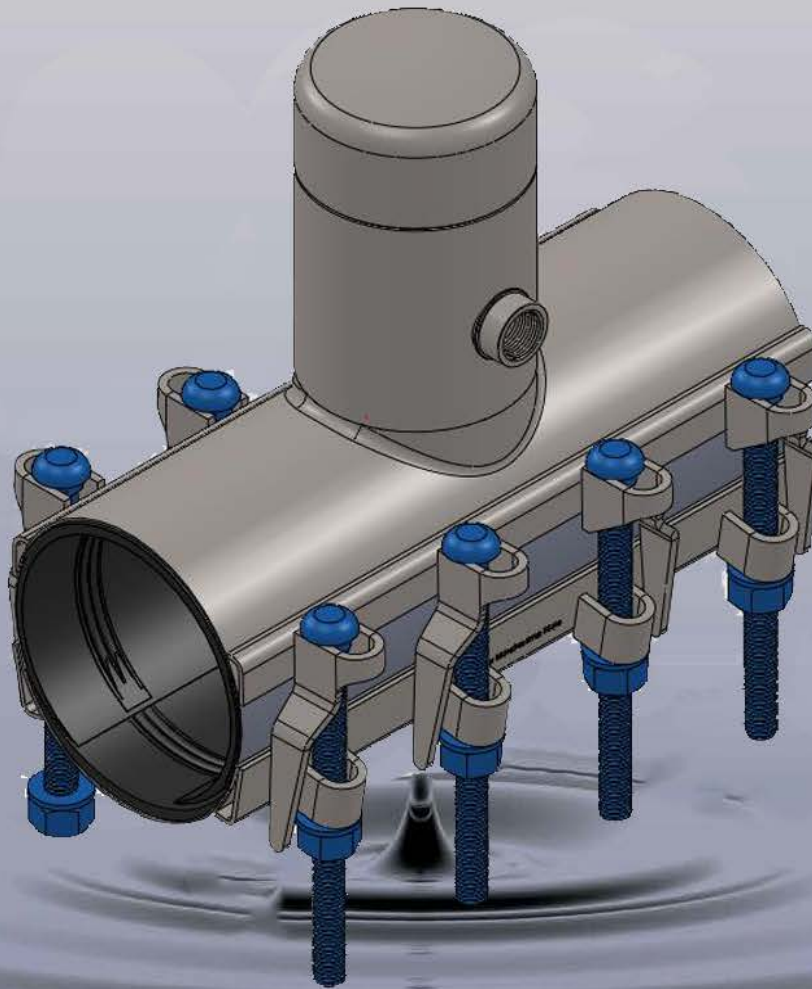


# *Triple Tap*®

## *Abandoned Corporation Fitting*

*For Encapsulation and Completion of Lead Service Line and Valve Removal*



*Wide Range Abandoned Corporation Fitting*



**Total Piping Solutions, Inc.**

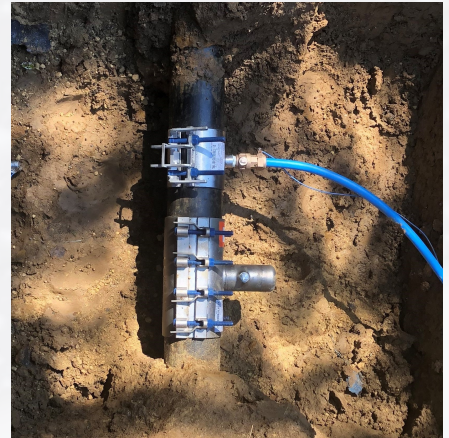
# ***Abandoned Corporation Fitting***

## **Wide Range, Heavy Duty, Pressure Rated**

At Total Piping Solutions, Inc., we are dedicated to providing innovative products designed to save time, labor and inventory dollars in the water and wastewater industries.

The latest entry into our ever-growing product portfolio is the Triple Tap® Abandoned Corp Fitting..

The Abandoned Corp Fitting is the ideal product for the permanent isolation of old lead service valves and appurtenances.



This wide range fitting speeds up the process of abandoning a lead service with an easy to install wide over the pipe shell and gasketing system. The fitting is pressure rated in all sizes and allows for a fast a safe abandonment of an old valve on a lead service line. The distinctive design allows for drop in bolt convenience, bolts may be inserted bi-directional (up or down) or in a position most easily suited for simple and fast installation.

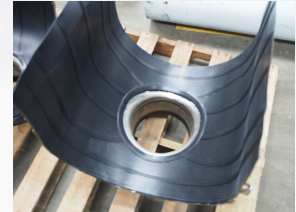
### **Check These Features:**

- Wide Range, Long or Short Body Design – One Sleeve Easily covers CIP/DIP and other pipe diameters without the need for extra sizes on hand and additional inventory.
- Easy to Install – Two Pieces, Drop in Bolt which eliminate the potential of a scrapped sleeve common with in fixed bolts designs that allow for galling of the bolts. Bolts tighten to torque quickly and easily with the no-gall coating on all stainless steel bolts. Always follow the directions included with the product.
- Cost Effective – One Sleeve Works on Multiple Pipe Classes (Works on AC, DIP, CIP, IPS, PVC Diameters and more)
- Rigid Pressure Rated Construction helps to reinforce the often times old and weak pipe where lead services are commonly found.
- No Need to Shut Off Water Main: Close the old valve, disconnect the lead service and encapsulate in an easy three step process.

# Triple Tap® Abandoned Corp Fitting

## Specifications

- Working Pressures up to 250 psi (Tested to 375 psi)  
Working Pressure is Determined by the Actual Diameter of the Pipe
- Qualification Tested to 1.5X Working Pressure
- Gasket Material: NSF-61 Approved NBR Rubber for Water and Sewer Service
- Shell constructed of Heavy Duty Type 304 Stainless Stainless Steel Plate
- Temperature: Max Continuous Temperature - 80 degrees F
- Nuts, Bolts and Washers: 18-8 Grade 304 Stainless Steel Bolts and 304 Stainless Nuts Coated with Fluoropolymer Coating to Prevent Galling
- All Stainless surface fully passivated for maximum corrosion protection
- May be Optionally Equipped with NPT Tapped Vent Plugs On branch
- Vent Seal and Matt Type Seal are integrated with Pressure Sealing O-Rings for optimum sealing
- 3" and 4" Branch Sizes on Fitting to Encapsulated Most Common Corporation Valve Sizes



Patented O-Ring Gasket System for Easy Sizing to the Pipe (48" Diameters)

PRESSURE RATING, TEMPERATURE RATING, AND BOLT TORQUE SHOWN ON PRODUCT LABEL ARE THE ACTUAL RATINGS FOR EACH INDIVIDUAL PRODUCT.



# Triple-Tap® Abandoned Corp Fitting

Nominal Diameter	Lower Diameter	Upper Diameter	Available Branch	CTS	IPS	DIP	Pit Cast	AC100	AC150	AC200
4"	4.45	5.13	3,4		4.50	4.80	5.00			
4 OS	4.74	5.36	3,4			4.80	5.00	5.26	5.32	
5"	5.50	6.20	3,4	6.13	5.56					5.57
6"	6.55	7.42	3,4		6.63	6.90	7.10	7.40	7.37	
6" OS	6.84	7.65	3,4			6.90	7.10	7.40	7.37	7.60
8"	8.54	9.44	3,4		8.63	9.05	9.30			
8" OS	8.98	9.84	3,4			9.05	9.30	9.57	9.62	9.79
10"	10.64	11.46	3,4		10.75	11.10	11.40			
10" OS	11.34	12.16	3,4				11.40	11.77	12.12	12.12
12"	12.62	13.56	3,4		12.75	13.20	13.50			
12" OS	13.65	14.42	3,4		14.00			14.04	14.38	14.38
14"	15.22	16.16	3,4		16.00	15.30	15.65	15.80		
14" OS	16.18	16.92	3,4						16.73	16.88
16"	17.25	18.18	3,4		18.00	17.40	17.80	17.94		
16" OS	18.42	19.23	3,4						18.97	19.19
18"	19.37	20.25	3,4		20.00	19.50	19.92			
20"	21.40	22.22	3,4			21.60	22.06			
24"	23.25	24.25	3,4		24.00					
24" OS	25.60	26.40	3,4			25.80	26.32			
30"	29.50	30.35	3,4		30.00					

9" Wide is available with Only a 3" Cap and Diameters from 4" to 12"  
 15" Wide Abandoned Corp Fitting available in all sizes and configurations

### Applicable Standards:

- ASTM A380-06 Standard Practice for Cleaning Descaling and Passivation of Stainless Steel Parts Equipment and Systems
- ASTM A967-05 Standard Specification for Chemical Passivation Treatments for Stainless Steel Parts.
- ANSI/AWWA C223-07 Fabricated Steel and Stainless Steel Tapping Sleeves
- MSS SP-60-2004 Connecting Flange Joint Between Tapping Sleeves and Tapping Valves
- NSF/ANSI STANDARD 61 - Drinking Water System Components
- ASTM D2000 - 12 Standard Classification System for Rubber Products...
- MSS SP-113-2012 Connecting Joints between Tapping Machines and Tapping Valves
- MSS SP-124-2012 Fabricated Tapping Sleeves
- ASTM D 2241 - 04a Standard Specification for Poly(Vinyl Chloride) (PVC) Pressure-Rated Pipe (SDR Series)
- ANSI/AWWA C900-07 Polyvinyl Chloride (PVC) Pressure Pipe and Fabricated Fittings 4 In. Through 12 In. for Water Transmission and Distribution
- ANSI/AWWA C906-07 Polyethylene (PE) Pressure Pipe and Fittings, 4 In. Through 63 In. for Water Transmission and Distribution
- ANSI/AWWA C110/A21.10-08 Ductile Iron and Gray-iron Fittings
- ANSI/AWWA C111/A21.11-07 Rubber Gasketed Joints for Ductile Iron Pressure Pipe and Fittings
- ANSI/AWWA C207-13 Steel Pipe Flanges for Waterworks Service
- ANSI/AWWA C228-14 Stainless-Steel Pipe Flange Joints for Water Service

For Price, Delivery and additional Technical Information, Contact:

TPS® is a registered trademarks of Total Piping Solutions, Inc.



**Total Piping Solutions, Inc.**  
 1760 Haskell Road, Olean, New York 14760 TEL: 716-372-0160, FAX: 716-372-1767

E-Mail: [sales@tps.us](mailto:sales@tps.us)

VISIT OUR WEBSITE: [www.tps.us](http://www.tps.us)

**WARNING** This product is intended for use on HDPE SDR-17 or greater wall thicknesses, and shall be used for buried service only. The TPS TX3 Coupling product line is not approved for above ground applications on HDPE.

**WARNING** This product is not intended for use on natural gas piping or any other type of gas piping. To do so could result in escaping gas that could ignite and cause property damage, serious injury or death.

NATURAL GAS  
NO!

**WARNING** This is a non-restraining product. If pipe pullout can occur, proper anchoring of the pipe joint is required. Failure to anchor the pipe could result in the escape of line content, and may cause property damage, serious injury or death.

PIPE PULLOUT