

# TX3® Long Body Coupling

TPS Original Design

1.3" Range

Covers IPS to AC

2", 3", 4", 6", 8", 10", 12"

All sizes Available



Cut in Repair

Convenience

Extra Sleeve Length

Use on HDPE to

Provide Additional

Longitudinal

Movement

# Wide in Range

# Long in Body

# Easy to Install

[sales@tps.us](mailto:sales@tps.us)

716-372-0160

Fax: 716-372-1767



**TPS** Total Piping Solutions  
1760 Haskett Rd  
Olean, NY 14760  
TEL: 716-372-0160  
FAX: 716-372-1767

**4 in. TX3® Wide Range Coupling**

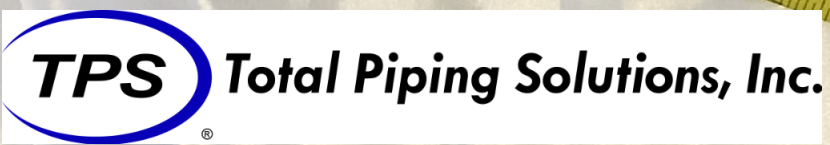
LOW RANGE (in): 4.45-5.06  
WORKING PRESSURE: 275 PSI  
BOLT TORQUE (ft-lbs): 80  
GASKET MATERIAL: NBR  
TEMPERATURE: 125°F

HIGH RANGE (in): 4.94-5.61  
CLASSIFIED  
UL  
WATER QUALITY

**TX3056100000LB**

MADE IN THE USA

MFG DATE 08.29.2019



**TPS TX3**

Installation instructions for  
1-1/2 to 12 inch Coupling  
Do Not Disassemble this  
Do not lubricate the bo

read these installation instructions  
designed for a stab fit. Disassemble  
meter of the pipe and verify the size o

ately one foot from each pipe end and  
surface. Confirm that the pipe is structural  
vents, corrosion etc. where the gasket will  
both pipe ends 3 inches in from each end  
pling. This mark indicates the preferred  
succeeding non-rigid pipe materials. Note:  
d pipe materials (steel ductile iron) is 2 in  
PVC, CPVC, PE, PE-RT, all rough-surfaced pipes  
water-based gasket lubricant in order to achieve a p  
ring and end rings for shipping damage. Verify the

The TX3 is a wide range stab fit coupling with a two  
diameter gasket. Do not remove the inner gasket layer unless  
coupling fits within the upper range of the coupling and  
duct label. If the inner layer of the gasket must be removed  
pipe, then gently pry the inner gasket blunt tipped, flat-tipped  
ould the inner layer of the gasket be removed unless the pipe  
ed to fall in the high (upper) range of the coupling as shown or

inner gasket. The inner gasket may be replaced if it has been  
the coupling gasket assembly. Confirm that the two orange dots  
OUTSIDE" are facing outward. Use the appropriate size socket wrench  
ring drawbolts in the outer gasket ring and reassemble. Note that the  
coupling over the pipe ends. Use the pipe marks from Step 2 for centering  
Center coupling over the pipe ends. Use the pipe marks from Step 2 for centering  
gap between pipe ends. Tighten the end ring drawbolts using the appropriate  
exceed 4 degrees deflection per coupling end.  
Tighten the end ring drawbolts using the appropriate size socket wrench  
through 1/2 inch). Tighten the end ring drawbolts using the appropriate  
torque indicated on the product label. Use of a torque wrench is ma  
Refer to Product Label for Torque Requirements. Do not  
drawbolts and nuts. The drawbolts and nuts are pre-l  
lubricant coating.  
10. Recharge the line and check for leaks. Backfill only when the  
reaches line pressure. Backfill only when the

**Cut in Repair  
Convenience**

**Extra Sleeve Length  
Use on HDPE (DR17  
or Thicker) Provides  
Additional Longitudinal  
Movement**



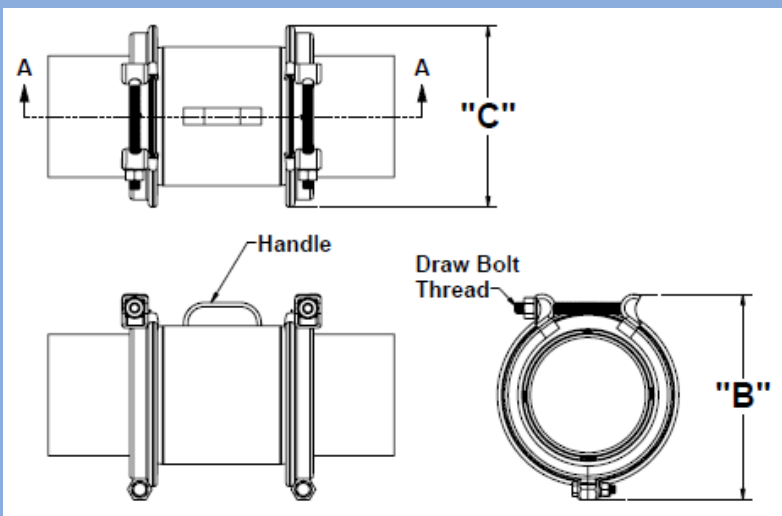
**Extra  
Length  
=  
Easy  
Installation**

**sales@tps.us**

**716-372-0160**

**Fax: 716-372-1767**

Size	Part #	Overall Range Pipe Dia's.	Diameter Range With Inner Gasket Inserted	Diameter Range With Inner Gasket Removed	"A"	"B"	"C"	"D"	"H" Min Stab Depth Rigid	"H" Min Stab Depth PE Pipe (See Note 1)	"L" Maximum Pipe Gap Rigid Pipe (See Note 2)	"L" Maximum Pipe Gap PE Pipe (See Notes 1 and 2)	Draw Bolt Thread	Nut Wrench Size	Maximum Allowable Working Pressure (MAWP)	Coupling Weight
2"	TX3030300000LB	2.10-3.03	2.10-2.60	2.56-3.03	11.3	6.91	6.67	7.75	2.00	2.50	6	5	1/2-13 UNC	3/4"	275 PSI	9 lbs
3"	TX3042000000LB	3.10-4.20	3.10-3.56	3.70-4.20	14.55	8.26	7.18	11	2.00	3.00	9.25	7.25	1/2-13 UNC	3/4"	275 PSI	15 lbs
4"	TX3056100000LB	4.45-5.61	4.45-5.06	4.94-5.61	14.67	9.98	8.74	11	2.00	3.00	9.4	7.4	1/2-13 UNC	3/4"	275 PSI	24 lbs
6"	TX3076500000LB	6.56-7.65	6.56-7.05	7.04-7.65	19.12	12.22	10.79	15.5	2.00	3.00	13.82	11.82	5/8-11 UNC	1-1/16"	275 PSI	32 lbs
8"	TX3098400000LB	8.54-9.84	8.54-9.15	9.15-9.84	19.12	14.36	13.10	15.5	2.00	3.00	13.82	11.82	5/8-11 UNC	1-1/16"	275 PSI	39 lbs
10" US	TX3118400000LB	10.64-11.84	10.64-11.18	11.18-11.84	19.75	16.68	15.39	16	2.00	3.00	14.45	12.45	5/8-11 UNC	1-1/16"	260 PSI	60 lbs
10" OS	TX3122600000LB	11.01-12.26	11.01-11.63	11.59-12.26	19.75	17.05	16.22	16	2.00	3.00	14.45	12.45	5/8-11 UNC	1-1/16"	260 PSI	62 lbs
12" US	TX3136600000LB	12.62-13.66	12.62-13.06	13.10-13.66	19.75	18.51	17.65	16	2.00	3.00	14.45	12.45	5/8-11 UNC	1-1/16"	260 PSI	66 lbs
12" OS	TX3144500000LB	13.14-14.45	13.14-13.78	13.74-14.45	19.75	19.56	18.38	16	2.00	3.00	14.45	12.45	5/8-11 UNC	1-1/16"	260 PSI	71 lbs



**TX3® Long Body Coupling**

**Easy to Install**

**Removable and Replaceable**

**Inner Gasket Layer for Maximum**

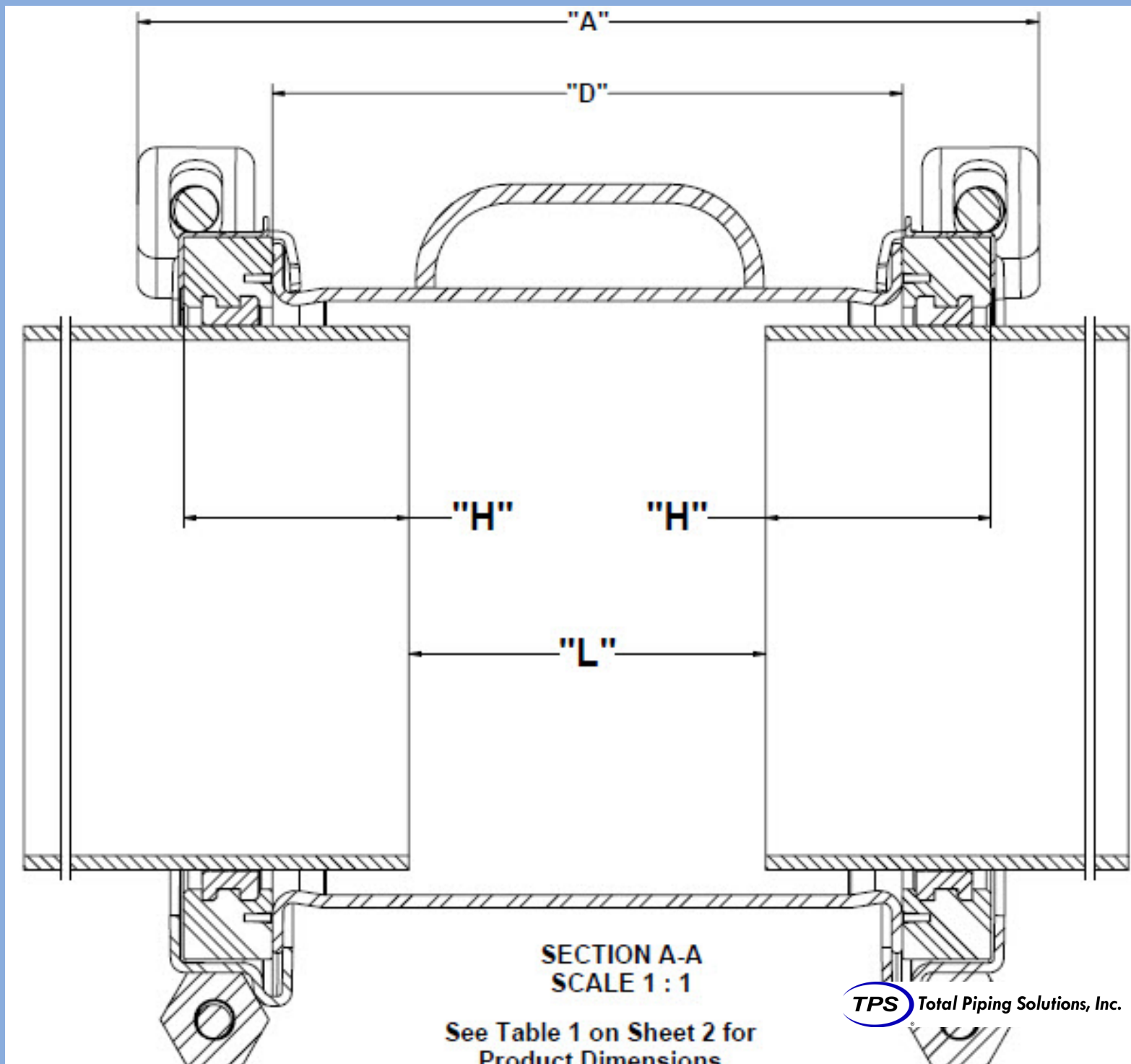
**Adjustability**

**Stainless Steel Hardware**

**Fusion Bonded Epoxy Coated**

**NSF Compliant NBR Gasket**

Revision 1 - 8/2021



See Table 1 on Sheet 2 for Product Dimensions

