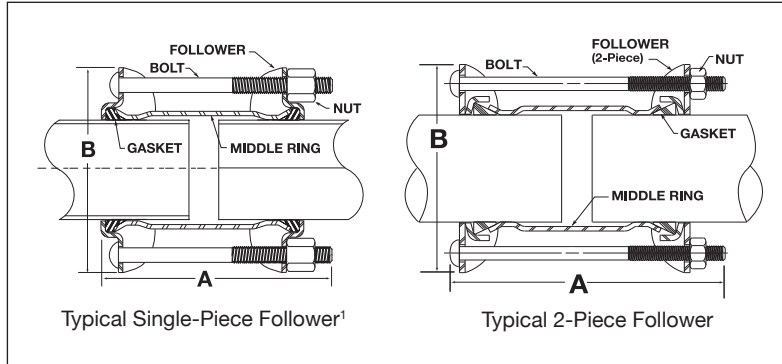


DRESSER Product Submittal

Style 38 Couplings for Steel Pipe



Style 38 Materials of Construction

Followers:	AISI C1012 or ASME SA36 (Ductile Iron or Malleable Iron for 1/2" thru 1-1/2")
Middle Ring:	ASTM A513, ASTM A635 or ASME SA675 GR60
Bolts/Nuts:	AWWA C 111/ANSI A21.11
Gaskets:	Grade 27 BUNA-S as Standard
Coating:	Grey Epoxy ID/OD as Standard; Optional RED-D Shopcoat

Style 38 Coupling Specifications for Steel Pipe Sizes 1/2" thru 6"

NOTE: Chart lists basic envelope dimensions as guidelines for standard Style 38 couplings. Consult factory for custom sizes.

Pipe Nominal Size (in)	Outside Pipe Diameter (OD)	Middle Ring Thickness & Length (in)	Bolts No./Diam. x Length (in)	Gaskets Sec. Dimin. Thkns/Length. (in)	OVERALL DIMENSIONS		Working Pressure Lbs. per Sq.In.	Max. Test Pressure Lbs. per Sq.In.	Approx. Shipping Weight (lbs.)
					Length (A)	Diameter (B)			
1/2	.840	.156 x 3-1/2	2-1/2 x 6	9/32 x 9/16	6-1/2	3-1/2	1500	2250	2
3/4	1.050	.156 x 5	2-1/2 x 7-1/4	9/32 x 9/16	7-1/4	3-13/16	1500	2250	3
1	1.315	.148 x 5	2-1/2 x 7-1/4	9/32 x 9/16	7-1/4	4-1/16	1500	2250	4
1-1/4	1.660	.154 x 5	2-1/2 x 7-1/4	9/32 x 9/16	7-1/4	4-7/16	1500	2250	4
1-1/2	1.900	.165 x 5	2-1/2 x 7-1/4	11/32 x 5/8	7-1/4	4-3/4	1500	2250	5
2	*2.375	.156 x 4	2-1/2 x 7-1/4	3/8 x 3/4	7-1/4	5-3/8			4-1/2
2	2.375	.156 x 5	2-5/8 x 8-1/4	1/2 x 29/32	9	6	1500	2250	7
2	2.375	.156 x 5	3-5/8 x 8-1/4	1/2 x 29/32	9	6-1/4	1500	2250	10
2	2.375	.156 x 7	3-5/8 x 10-1/4	1/2 x 29/32	10-1/2	6-1/4	1500	2250	13
2-1/2	2.875	.180 x 5	3-5/8 x 8-1/4	1/2 x 29/32	9	7	1500	2250	13
3	*3.000	.180 x 4	2-1/2 x 6	3/8 x 7/8	7-1/4	6			6-1/2
3	*3.500	.156 x 4	3-1/2 x 6	3/8 x 7/8	7-1/4	6-1/2			7
3	3.500	.156 x 5	4-5/8 x 6	1/2 x 29/32	7-1/4	8	1100	1650	13.5
3	3.500	.156 x 7	4-5/8 x 8-1/4	1/2 x 29/32	9	8	1100	1650	17.5
3-1/2	*4.000	.134 x 4	3-1/2 x 6	3/8 x 7/8	7-1/4	7			7-1/2
3-1/2	4.000	.188 x 5	4-5/8 x 8-1/4	1/2 x 29/32	9	8-5/8	1500	2250	17
4	*4.500	.188 x 4	3-1/2 x 6	3/8 x 7/8	7-1/4	7-1/2			8
4	4.500	.188 x 5	4-5/8 x 6	1/2 x 29/32	7-1/4	9	1000	1500	16.5
4	4.500	.188 x 7	4-5/8 x 8-1/4	1/2 x 29/32	9	9	1000	1500	23.5
5	*5.500	3/4 x 4	4-1/2 x 6	3/8 x 7/8	7-1/4	8-1/2			10
5	5.500	1/4 x 5	4-5/8 x 8-1/4	1/2 x 29/32	9	9-5/8	1205	1808	23.5
5	*5.563	3/16 x 4	4-1/2 x 6	3/8 x 7/8	7-1/4	8-1/2			20
5	5.563	1/4 x 5	4-5/8 x 6	1/2 x 29/32	7-1/4	10-3/8	1205	1808	23.5
5	5.563	1/4 x 7	4-5/8 x 8-1/4	1/2 x 29/32	9	10-3/8	1205	1808	25
6	*6.000	.188 x 4	4-1/2 x 6	3/8 x 7/8	7-1/4	10-5/8			11
6	6.000	1/4 x 5	6-5/8 x 6	1/2 x 1	7-1/4	10-5/8	1126	1689	26.5
6	*6.625	3/16 x 4	4-1/2 x 6	3/8 x 7/8	7-1/4	9-5/8			22.5
6	6.625	1/4 x 5	6-5/8 x 6	1/2 x 1	7-1/4	11-1/4	1029	1544	25.5
6	6.625	1/4 x 7	6-5/8 x 8-1/4	1/2 x 1	9	11-1/4	1029	1544	31

*Light-Pattern 150 MAOP

†Single-Piece follower design used for couplings 3" thru 12"

CONSULT FACTORY FOR ALTERNATIVE GASKETS AND PART NUMBERS

Dresser Pipeline Solutions

41 Fisher Avenue
Bradford, PA 16701
P: 814.362.9300
F: 814.362.9344

Dresser Utility Solutions reserves the right to make changes in specifications and features shown herein, or discontinue any products described at any time without notice or obligation. Contact your Dresser Pipeline Solutions representative for the most current information.



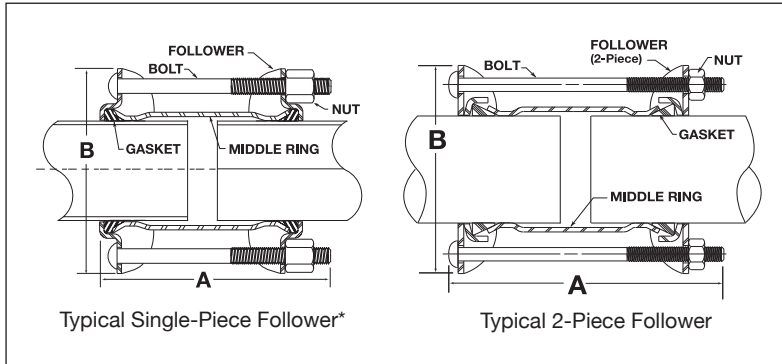
www.dresserutility.com

© 2021 Natural Gas Solutions North America, LLC.
The Dresser Logo and all Trademarks containing the term "Dresser" are the property of Dresser, LLC, a subsidiary of Baker Hughes

SUBMITTAL.38.CPLG.2021

DRESSER Product Submittal

Style 38 Couplings for Steel Pipe



Style 38 Materials of Construction

Followers:	AISI C1012 or ASME SA36 (Ductile Iron or Malleable Iron for 1/2" thru 1-1/2")
Middle Ring:	ASTM A513, ASTM A635 or ASME SA675 GR60
Bolts/Nuts:	AWWA C 111/ANSI A21.11
Gaskets:	Grade 27 BUNA-S as Standard
Coating:	Grey Epoxy ID/OD as Standard; Optional RED-D Shopcoat

Style 38 Coupling Specifications for Steel Pipe Sizes 8" thru 48"

NOTE: Chart lists basic envelope dimensions as guidelines for standard Style 38 couplings. Consult factory for custom sizes.

Pipe Nominal Size (in)	Outside Pipe Diameter (OD)	Middle Ring Thickness & Length (in)	Bolts No./Diam. x Length (in)	Gaskets Sec. Dimin. Thkns/Lngth. (in)	OVERALL DIMENSIONS		Working Pressure Lbs. per Sq.In.	Max. Test Pressure Lbs. per Sq.In.	Approx. Shipping Weight (lbs.)
					Length (A)	Diameter (B)			
8	*8.000	3/16 x 4	5-1/2 x 6	3/8 x 7/8	6-5/8	11	150	-	15
8	8.000	1/4 x 5	6-5/8 x 8-1/4	1/2 x 1	9	11-7/8	866	1299	31
8	*8.625	3/16 x 4	6-1/2 x 6	3/8 x 7/8	6-5/8	11-5/8	150	-	16
8	8.625	1/4 x 5	6-5/8 x 8-1/4	1/2 x 1-1/16	9	8-5/8	807	1211	32
8	8.625	1/4 x 7	6-5/8 x 10-3/4	1/2 x 1-1/16	11-1/8	13-1/4	807	1211	38
10	10.000	1/4 x 5	8-5/8 x 8-1/4	1/2 x 1	9	13-7/8	703	1055	39
10	10.750	1/4 x 5	8-5/8 x 8-1/4	1/2 x 1-1/16	9	14-5/8	657	986	40
10	10.750	1/4 x 7	8-5/8 x 10-3/4	1/2 x 1-1/16	11-1/8	14-5/8	657	986	49
10	10.750	3/8 x 7	8-5/8 x 10-3/4	1/2 x 1-3/16	11-1/8	14-5/8	813	1220	53
12	12.000	1/4 x 7	8-5/8 x 10-3/4	1/2 x 1	11-1/8	16	591	887	53
12	12.750	1/4 x 5	8-5/8 x 8-1/4	1/2 x 1-1/16	9	16-3/4	558	837	45
12	12.750	1/4 x 7	8-5/8 x 10-3/4	1/2 x 1-1/16	11-1/8	16-3/4	558	837	56
12	12.750	3/8 x 7	8-5/8 x 10-3/4	1/2 x 1-3/16	11-1/8	16-3/4	823	1036	65
14	14.000	1/4 x 7	8-5/8 x 10-3/4	1/2 x 1-1/16	11	18	510	765	60
	14.000	3/8 x 7	8-5/8 x 10-3/4	1/2 x 1-3/16	11	18	633	949	72
16	16.000	1/4 x 7	10-5/8 x 10-3/4	1/2 x 1-1/16	11	20	449	673	70
	16.000	3/8 x 7	10-5/8 x 10-3/4	1/2 x 1-3/16	11	20	557	835	82
18	18.000	1/4 x 7	10-5/8 x 10-3/4	1/2 x 1-1/16	11	22	401	602	75
	18.000	3/8 x 7	10-5/8 x 10-3/4	1/2 x 1-3/16	11	22	498	747	88
20	20.000	1/4 x 7	12-5/8 x 10-3/4	1/2 x 1-1/16	11	24-1/16	362	543	86
	20.000	3/8 x 7	12-5/8 x 10-3/4	1/2 x 1-3/16	11	24-1/16	450	675	90
22	22.000	1/4 x 7	14-5/8 x 10-3/4	1/2 x 1-1/16	11	26	330	495	98
	22.000	3/8 x 7	14-5/8 x 10-3/4	1/2 x 1-3/16	11	26	411	616	108
24	24.000	1/4 x 7	14-5/8 x 10-3/4	1/2 x 1-1/16	11	28	304	456	105
	24.000	3/8 x 7	14-5/8 x 10-3/4	1/2 x 1-3/16	11	28	378	567	120
30	30.000	1/4 x 7	16-5/8 x 10-3/4	1/2 x 1-1/16	11	34	243	364	120
	30.000	3/8 x 7	16-5/8 x 10-3/4	1/2 x 1-3/16	11	34	303	454	153
	30.500	1/4 x 7	16-5/8 x 10-3/4	1/2 x 1-1/16	11	34-1/2	240	360	125
	30.750	3/8 x 7	16-5/8 x 10-3/4	1/2 x 1-3/16	11	34-3/4	295	442	158
36	36.000	3/8 x 7	18-5/8 x 10-3/4	1/2 x 1-1/16	11	34	253	379	181
	36.750	3/8 x 7	18-5/8 x 10-3/4	1/2 x 1-3/16	11	41-3/4	298	447	227
42	42.000	1/2 x 10	20-5/8 x 15	1/2 x 1-1/16	15-3/8	47	346	519	351
48	48.000	1/2 x 10	22-5/8 x 15	1/2 x 1-3/16	15-3/8	53	304	456	399

*Light-Pattern 150 MAOP

¹Single-Piece follower design used for couplings 3" thru 12"

CONSULT FACTORY FOR ALTERNATIVE GASKETS AND PART NUMBERS

Dresser Pipeline Solutions

41 Fisher Avenue
Bradford, PA 16701
P: 814.362.9300
F: 814.362.9344

Dresser Utility Solutions reserves the right to make changes in specifications and features shown herein, or discontinue any products described at any time without notice or obligation. Contact your Dresser Pipeline Solutions representative for the most current information.



© 2021 Natural Gas Solutions North America, LLC.
The Dresser Logo and all Trademarks containing the term "Dresser" are the property of Dresser, LLC, a subsidiary of Baker Hughes

SUBMITTAL.38.CPLG.2021