

# SERus

## Residential Regulator



The SERus and SERus E residential regulators are based on a spring-loaded measuring unit. This type of regulator is used for direct pressure regulation at the inlet of residential and industrial gas meters.

### Key Benefits

- » Compact design
- » Pre-set outlet pressure
- » Fireproof up to 650°C
- » Safety diaphragm
- » DVGW approved, DVGW Reg. No: DG-4330CL0421

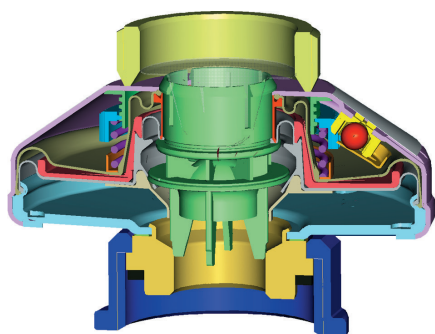
### Option

- » Gas loss protection

### Description

A completely new design based on the axial flow principle generates a high flow rate despite the regulator's small dimensions.

A 320 µm micro strainer protects the regulator on the inlet side



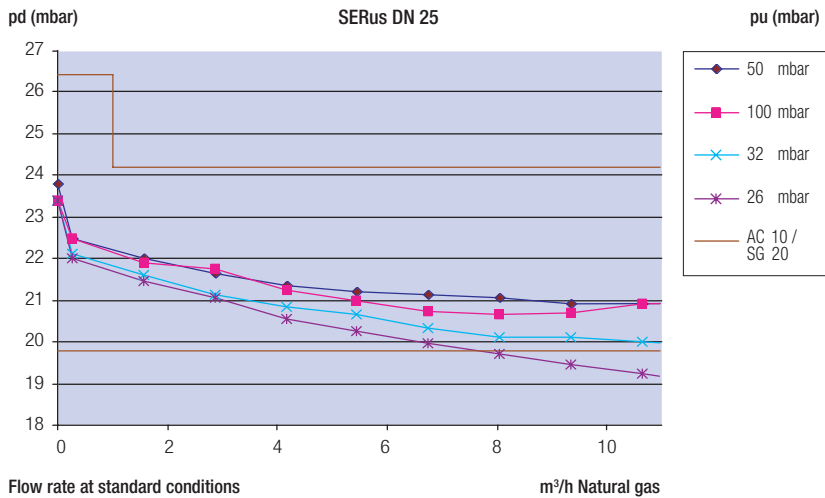
### Technical Specifications

Pressure rate	PN 0.1 (PN 0.2)
Inlet pressure range	pd + 4 to 100 (200) mbar
Outlet pressure range	20.0 to 33.0 mbar (pre-set)
Orifice diameter	28 mm
Regulation group	AC 10
Closing pressure group	SG 20
Fluid	All gases according to DVGW Work Sheet G 260
Flow rate	Suitable for G 2.5 to G 16
Connection size	DN 20, DN 25, DN 32 and DN 40, Single pipe DN 25
Connection type	Pipe screw joint acc. ISO 228/1 (G 1", G 1 1/4", G 1 3/4" and G 2")

### Materials

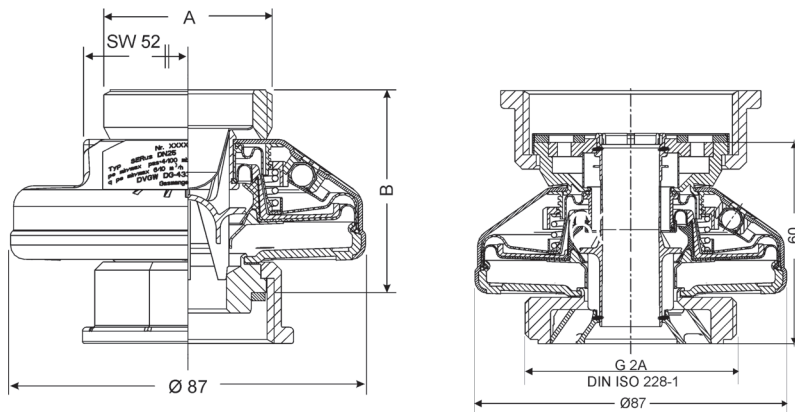
Housing	Sheet metal, zinc protected
Connection parts	Steel, zinc protected
Diaphragm	NBR rubber
Internal parts	Steel, Brass, Aluminium, POM-plastic
Dimension	70 mm x Ø 87 mm (Single pipe DN 25)
Weight	max. 0.5 kg

# Typical Performance Curve



## Flow rates / Dimensions / Weights

Type	Connection Size	Gas meter	Connection Thread A	Installation Length B (mm)	Flow rate Qmax (Sm³/h Natural gas) for pd +... (mbar)				Weight kg
					G 4	G 6	G 10	G 16	
SERus	DN20	G4	G1	50	+4 mbar	-	-	-	0.4
	DN25	G4/G6	G11/4	50	+4	+10 mbar	-	-	0.4
	DN32	G6/G10	G13/4	50	+4	+10	+20 mbar	+33 mbar	0.5
	DN40	G10/G16	G2	55	+4	-	+14	+26	0.5
SERus E	DN25	G4/G6	G2	60	+4	+10	-	-	0.5



### Dresser Utility Solutions GmbH

Hardeckstr. 2  
76185 Karlsruhe  
T: +49 (0)721 / 5981 - 100  
info.karlsruhe@dresserutility.com



© 2023 Dresser Utility Solutions GmbH – All rights reserved. Dresser Utility Solutions reserves the right to make changes in specifications and features shown herein, or discontinue the product described at any time without notice or obligation. Contact your Dresser Utility Solutions representative for the most current information. The Dresser Logo and all Trademarks containing the term "Dresser" are the property of Dresser, LLC, a subsidiary of Baker Hughes. Actaris™ is a trademark owned by Itron, Inc. and used under license.