

# DRESSER DPS - Product Submittal

## Style 38 STAINLESS STEEL Couplings

Designed for highly corrosive conditions - too corrosive for ordinary carbon steel couplings, Dresser offers its proven Style 38 coupling in an all-stainless steel design. Dresser stainless steel couplings provide flexible, bottle-tight connections with no need for costly threading, beveling, exact pipe fitting or alignment.

These bolted couplings are available in either Type 304 or Type 316 stainless steel. Followers are available in Type 316 only. You can also specify the middle ring only in stainless or the nuts and bolts only in stainless...balance standard Epoxy-coated.

Dresser Style 38 stainless steel couplings are furnished with gaskets to match the particular service. Standard compounds include Buna-S (Grade 27) and Buna-N (Grade 42), also available with Fluorocarbon (Viton), Butyl and EPDM. Consult Dresser Inside Sales for line content, line pressure and gasket recommendations.

Stainless steel couplings are custom-built and made to order requiring more extensive production lead times than standard couplings. Please consult Dresser inside sales for your particular project requirements.



Specifications of a general nature covering Dresser Style 38 couplings with Stainless Steel components are as follows:

Working Pressure: 150 PSI

Test Pressure: 250 PSI

Meets all specifications in accordance with AWWA C219

**All Stainless Steel bolted coupling products shall include the following materials:**

**Middle Ring:** Type 316-SS to ASTM 240 w/No. 1 mill finish (Type 304 may be substituted).

- Sleeve thickness at least equal to pipe wall thickness in smaller sizes.
- Center sleeve middle ring body includes label identification with part number, sizing and pressure ratings.

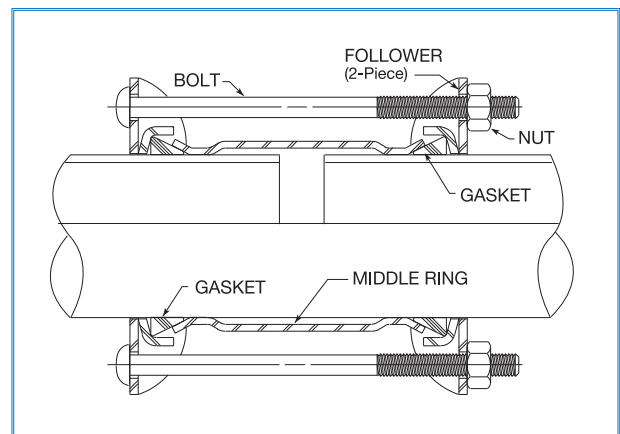
**Followers:** Type 316-SS Single Piece thru 12" size; 2-piece bar follower for larger sizes.

Mill section cold expanded to 1%

**Gaskets:** Plain Grade 27 BUNA-S as standard; Grade 42 BUNA-N, Viton, Butyl and EPDM optional

**Bolts:** Type 316; Rolled threads (Type 304 Optional).

**Nuts:** Type 316, Xylan-Coated



### Dresser Pipeline Solutions

41 Fisher Avenue  
Bradford, PA 16701

P: 814.362.9300

F: 814.362.9344

www.dresserutility.com

© 2021 Natural Gas Solutions North America, LLC.  
The Dresser Logo and all Trademarks containing the term "Dresser" are the property of Dresser, LLC, a subsidiary of Baker Hughes



Natural Gas Solutions reserves the right to make changes in specifications and features shown herein, or discontinue any products described at any time without notice or obligation. Contact your Dresser Natural Gas Solutions representative for the most current information.

SUBMITTAL.38SS.CPLG.2021