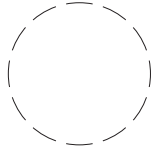
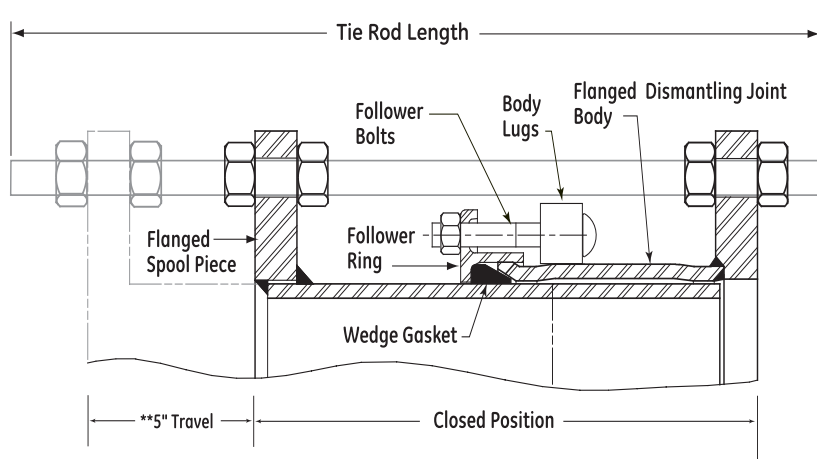


INSTALLATION INSTRUCTION 0001-0831-999



**NOTE: THIS PRODUCT
PROVIDES A PRESSURE
SEAL ONLY!**

Style 131 Flange-end Dismantling Joint



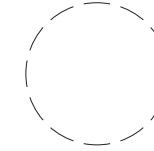
**Standard. Others available upon request.

1. Make sure outside diameter of spool piece is clean.
2. Slide follower ring over spool piece.
3. Wipe gasket clean, immerse in soap-water (anti-freeze should be added in freezing temperatures), and slide gasket over spool piece with tapered (thin) edge toward pipe end.
4. Make sure inside diameter of dismantling joint body is clean, especially along flare area where gasket will seat.
5. Slide dismantling joint body over spool piece.

(Continued on back)

**Part No. 0001-0831-999
12.2018**

INSTALLATION INSTRUCTION 0001-0831-999

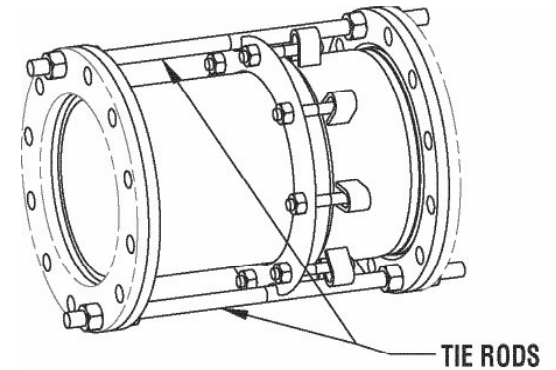


**NOTE: THIS PRODUCT
PROVIDES A PRESSURE
SEAL ONLY!**

Style 131 Flange-end Dismantling Joint

6. Make bolted flange connections as usual at both ends of the assembly, using the tie rods in place of flange bolts at evenly spaced locations.
7. Lubricate spool piece end and flare of body with soap-water (anti-freeze based solution should be added in freezing temperatures), slide gasket and follower into place. Insert track-head bolts, assemble nuts and tighten uniformly until all bolts reach a minimum torque of 75 Ft. Lbs.

NOTE: If the Dresser Style 131 Dismantling Joint is equipped with tie rods that may interfere with the follower, the follower must be properly oriented to the body. The location of the tie rods must also coincide with the relief built into the followers.



Dresser™ Pipeline Solutions
41 Fisher Avenue
Bradford, PA 16701
P: 814.362.9200
F: 814.362.9344
www.dresserngs.com

© 2018 Natural Gas Solutions North America, LLC. The Dresser Logo and all Trademarks containing the term "Dresser" are the property of Dresser, LLC, a subsidiary of Baker Hughes, a GE Company.

**Part No. 0001-0831-999
12.2018**