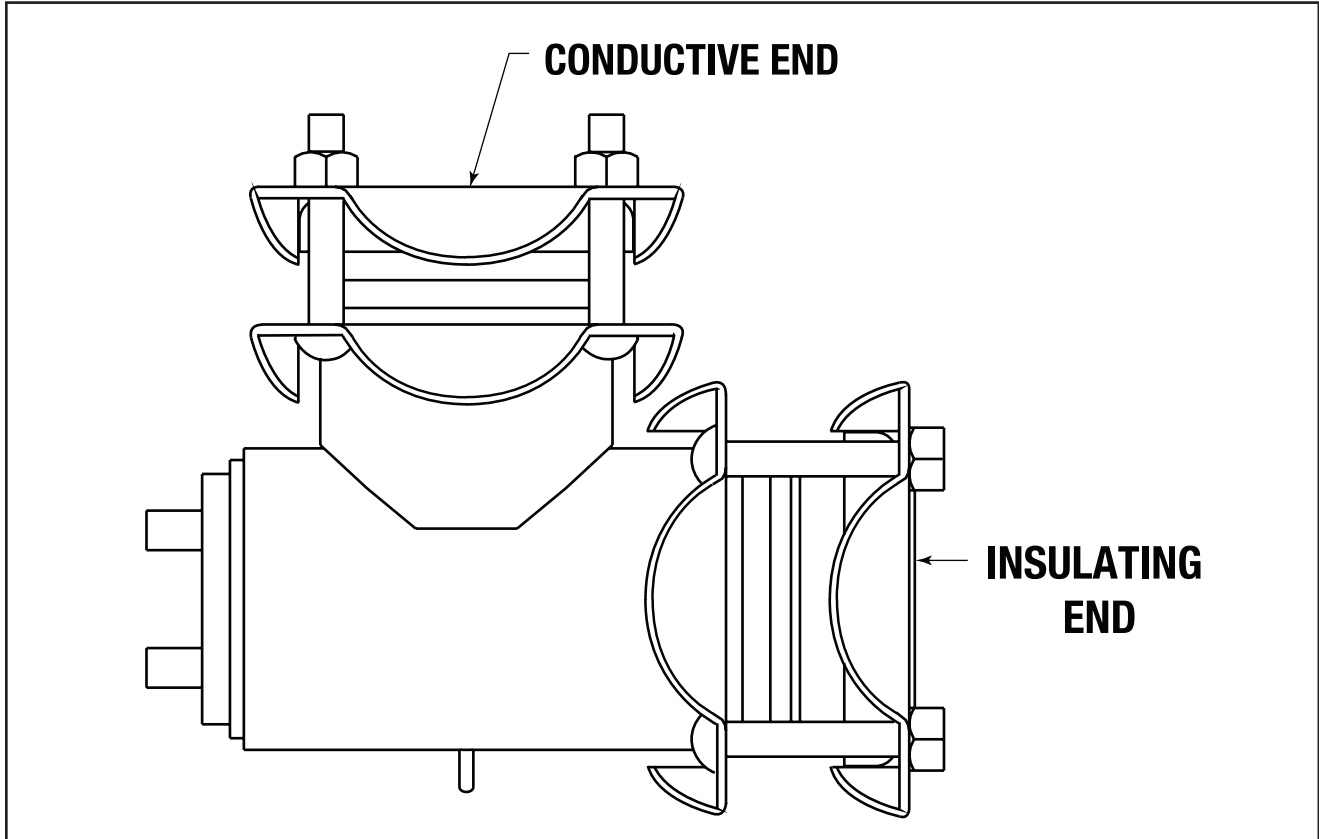


Style 64 Service Tee

With Style 711 Restraining Ends



FOR INSULATING END

Refer to Dresser Installation Instructions
for Style 711 Insulating Couplings

FOR CONDUCTIVE END

Refer to Dresser Installation Instructions
for Style 711 Couplings, Reducing Fittings
and Single End Weld Fittings



NATURAL GAS SOLUTIONS

Dresser™ Pipeline Solutions

41 Fisher Avenue
Bradford, PA 16701
P: 814.362.9200
F: 814.362.9344

www.dresserngs.com

© 2018 Natural Gas Solutions North America, LLC. The Dresser Logo and all Trademarks containing the term "Dresser" are the property of Dresser, LLC, a subsidiary of Baker Hughes, a GE Company.

Part No. 0001-0714-999
12.2018